



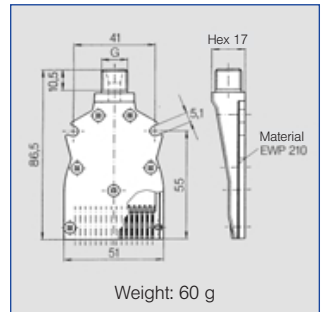
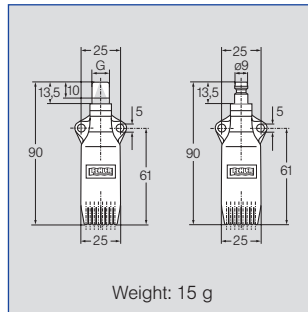
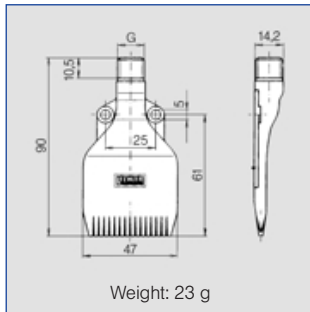
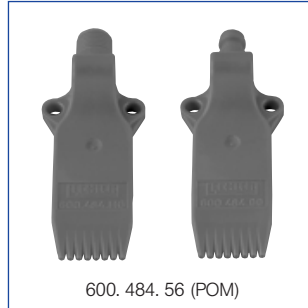
Multi-channel flat fan nozzles

Series 600. 130 / 600. 484 / 600. 283

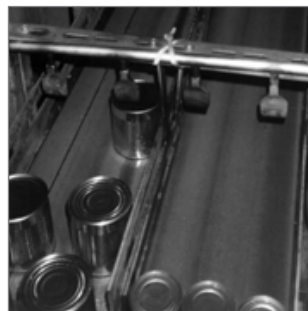
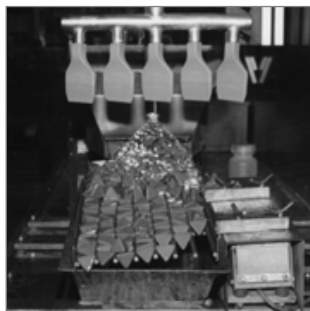
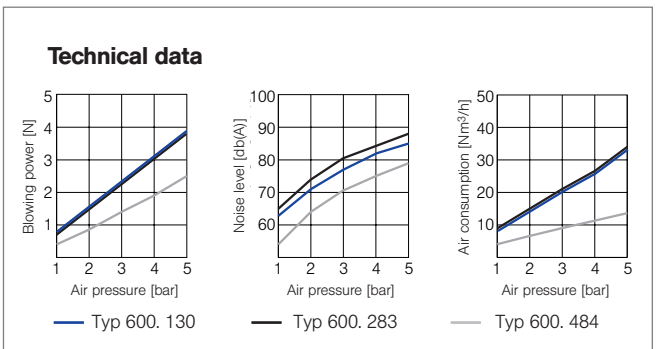
Particularly silent !

Powerful air jet, acting upon areas. Low noise level. Low air consumption.

Applications:
Blowing off and blowing out, cleaning, drying, cooling, conveying with air.



Ordering no.		Connection thread G	Accessories
Type	Code		
600. 130. 56 (Material: POM)	AC	1/4 BSPP	
	02	1/4 BSPP	Cover strip
	01	1/4 BSPP	Cover strip, Hose nipple (D = 8 mm), Steel clamp (L = 85 mm)
600. 484. 56 (Material: POM)	AC	1/4 BSPP	
	HG	M12 X 1,25	
	00	Quick release coupling	
600. 283. 42 (Material: Aluminium)	AC	1/4 BSPP	



Example for ordering:	Type	+	Code	=	Ordering no.
	600. 130. 56	+	AC	=	600. 130. 56. AC

The folded page at the end of the catalogue will give you a survey on the various assembly possibilities. For complete assembly accessories, please refer to „Accessories“.

