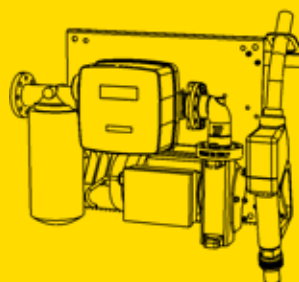
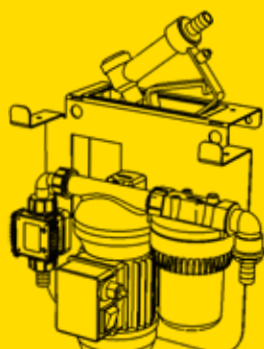




[www.meclube.com](http://www.meclube.com)

# ELECTRIC PUMPS FOR FLUIDS



MADE IN ITALY



## **Fully Italian production**












MECLUBE gives to all its customers the availability of a global service, assured by a wide range of products. The excellent relation between quality/price and the respect of the delivery time make our company an ideal partner. Thanks to the high flexibility of our modalities of production we are able to establish an exceptional relation with our customers that comes true in the customization, in the colour, in the brand of the company on the standard range of our products. Our purchase cycle becomes complete with a speedy and qualified assistance service.

## **Service**

Our company is able to offer to all our customers items of high quality and availability. It has a modern and innovative equipment of project, a lot of machines with a huge productive potential, a wide range of stamps, manufacturing cycles, tools, test and assembly machinery. Our customers represent the most important patrimony of MECLUBE. We are convinced that people make the difference, and we are at their disposal to start a relationship of growth and innovation, always having in mind the only possible result: the best one.

# PRODUCTS INDEX



	"Battery Kit" .....page. 2		"Benz Kit" .....page. 106
	"Barrel Kit" .....page. 4		"Benz-Tank" for gasoline .....page. 112
	"Transfer Kit" .....page. 8		Gasoline "Caddy" .....page. 114
	"Barrel Kit" .....page. 12		Electric pump for gasoline .....page. 116
	"Dispenser Kit" .....page. 16		Mechanical/digital meters for gasoline nozzles for gasoline transfer .....page. 117
	"Wall Mec" .....page. 20		Kit for "AdBlue® IBC" .....page. 120
	"Meclube Box" .....page. 30		"Barrel Kit AdBlue®" .....page. 126
	"Mec-Reel" distributor .....page. 32		"Transfer Kit AdBlue®" .....page. 130
	"Cami Dispenser" .....page. 34		"Meclube Box AdBlue®" .....page. 134
	"Gaia Service" .....page. 46		"Electronic Cami Dispenser AdBlue®" .....page. 136
	"MecGest Box" .....page. 52		"Electronic Gaia Service AdBlue®" .....page. 140
	Diesel tank .....page. 56		AdBlue® Tank .....page. 144
	Diesel "Caddy" .....page. 66		AdBlue® Tank-distributor "DEF-Tank" .....page. 148
	"Multitank" "Tank in Tank" .....page. 68		AdBlue® "Caddy" .....page. 150
	"Mec-Filter"- "EcoFilter" .....page. 70		AdBlue® transfer kit "Giuly-Blu" .....page. 152
	Battery pumps for diesel 12-24V .....page. 74		Trolleys for drums 180-220L .....page. 156
	Electric pumps for diesel .....page. 77		Electric diaphragm pumps for AdBlue® .....page. 158
	Electric pumps for oil and lubricants .....page. 82		Submersible AdBlue® Electro-pump "Mec-Ariel" .....page. 160
	Mechanical/digital meters for diesel .....page. 84		Air-operated double diaphragm pumps .....page. 162
	Accessories for MecGest .....page. 88		Manual/automatic nozzles for AdBlue® .....page. 164
	Manual/automatic nozzles .....page. 89		Digital meters and filters for AdBlue® .....page. 166
	Water separating delivery filters .....page. 93		Fittings and connections for AdBlue® Suction hoses kit for AdBlue® .....page.168
	Suction hose kits for diesel Antistatic rubber hoses for diesel .....page. 95		Manual pumps for AdBlue® transfer .....page. 170
	Automatic hose reels for diesel valves filters fittings .....page. 99		Automatic hose reels for AdBlue® .....page.172
	Jerry cans for fuel transfer .....page. 103		Digital flow meter for food Manual nozzles for food .....page. 176
	Manual pumps for diesel .....page. 104		Stainless steel manual pump Trolley for 20-30l drums .....page. 177

Portable diesel transferring kit with 12V or 24V DC electric pump. It is useful when the distribution or the diesel fuel transfer are needed, but only the electric power supply of a battery is available.

## “Battery Kit” series composed by:



**Art. 091-5080-045** 12V Pump - power cable (sec. 2,5 mmq, 2 m lenght) with pincers and fuse - 45 l/min

**Art. 091-5082-045** 24V Pump - power cable (sec. 2,5 mmq, 2 m lenght) with pincers and fuse - 45 l/min



**Art. 091-5081-060** 12V Pump - power cable (sec. 4 mmq, 4 m lenght) with pincers and fuse - 60 l/min

**Art. 091-5083-060** 24V Pump- power cable (sec. 4 mmq, 4 m lenght) with pincers and fuse - 60 l/min



**Art. 091-5081-085** Pump 12 V - power cable (sec. 6 mmq, 4 m lenght) with pincers and fuse - 85 l/min

**Art. 091-5083-085** 24 V Pump - power cable (sec. 6 mmq, 4 m lenght) with pincers and fuse - 85 l/min



**Art. 908-0516-040** Connection hose  $\varnothing$  20 mm M-M 1” 4 m lenght



**Art. 095-5430-020** Suction hose kit  $\varnothing$  25 mm, 2 m lenght



**Art. 093-5200-000** Manual nozzle MC80 Flow rate 80 l/min




**Art. 093-5210-000** Automatic nozzle PA60 Flow rate 70 l/min

**Art. 093-5215-000** Automatic nozzle PA90 Flow rate 90 l/min

# ELECTRIC PUMPS KIT FOR DIESEL TRANSFER "Battery Kit"



Ref.	Descrip.	Flow rate	Voltage	Power	Inlet-Outlet	Conn. Hose	Nozzle	Duty cycle	Weight	Packaging
		l/min	AC V./Hz DC Volt	W	BSPG	Ø		min	Kg	mm

<b>090-5025-045</b>	Battery kit	<b>45</b>	12	264	F1" - F1"	20	Manual	40	8,80	410X400X270
<b>090-5025-060</b>	Battery kit	<b>60</b>	12	336	F1" - F1"	20	Manual	40	10,15	410X400X270
<b>090-5025-085</b>	Battery kit	<b>85</b>	12	432	F1" - F1"	20	Manual	S2 30	13,10	410X400X270
<b>090-5026-045</b>	Battery kit	<b>45</b>	24	312	F1" - F1"	20	Manual	40	8,80	410X400X270
<b>090-5026-060</b>	Battery kit	<b>60</b>	24	432	F1" - F1"	20	Manual	40	10,15	410X400X270
<b>090-5026-085</b>	Battery kit	<b>85</b>	24	432	F1" - F1"	20	Manual	S2 30	13,10	410X400X270
<b>090-5027-045</b>	Battery kit	<b>45</b>	12	264	F1" - F1"	20	Aut.PA60	40	8,80	410X400X270
<b>090-5027-060</b>	Battery kit	<b>60</b>	12	336	F1" - F1"	20	Aut.PA60	40	10,15	410X400X270
<b>090-5027-085</b>	Battery kit	<b>85</b>	12	432	F1" - F1"	20	Aut.PA90	S2 30	13,50	410X400X270
<b>090-5028-045</b>	Battery kit	<b>45</b>	24	312	F1" - F1"	20	Aut.PA60	40	8,80	410X400X270
<b>090-5028-060</b>	Battery kit	<b>60</b>	24	432	F1" - F1"	20	Aut.PA60	40	10,15	410X400X270
<b>090-5028-085</b>	Battery kit	<b>85</b>	24	432	F1" - F1"	20	Aut.PA90	S2 30	13,50	410X400X270

Portable diesel transferring kit with 12V or 24V DC electric pump. It is useful when the distribution or the diesel fuel transfer are needed, but only the electric power supply of a battery is available.

## “Barrel Kit” series composed by:



**Art. 091-5080-045** 12V Pump- power cable (sec. 2,5 mmq, 2 m lenght)  
with pincers and fuse - 45 l/min

**Art. 091-5082-045** 24V Pump- power cable (sec. 2,5 mmq, 2 m lenght)  
with pincers and fuse - 45 l/min



**Art. 091-5081-060** 12V Pump- power cable (sec. 4 mmq, 4 m lenght)  
with pincers and fuse - 60 l/min

**Art. 091-5083-060** 24V Pump- power cable (sec. 4 mmq, 4 m lenght)  
with pincers and fuse - 60 l/min



**Art. 091-5081-085** 12 V Pump- power cable (sec. 6 mmq, 4 m lenght)  
with pincers and fuse - 85 l/min

**Art. 091-5083-085** 24 V Pump- power cable (sec. 6 mmq, 4 m lenght)  
with pincers and fuse - 85 l/min



**Art. 908-0516-040** Connection hose ø 20 mm M-M 1” 4 m lenght



**Art. 095-5284-000** Telescopic suction hose with foot valve  
M 1” 495<885 mm lenght



**Art. 095-5280-609** M 1”- M 2” quick coupling



**Art. 093-5200-000** Manual nozzle MC80 Flow rate 80 l/min



**Art. 093-5210-000** Automatic nozzle PA60 Flow rate 70 l/min


**Art. 093-5215-000** Automatic nozzle PA90 Flow rate 90 l/min



**Art. 093-5300-000** Nozzle support bracket

# ELECTRIC PUMPS KIT FOR DIESEL TRANSFER “Barrel Kit”



Ref.	Descrip.	Flow rate	Voltage	Power	Inlet-Outlet	Conn. Hose	Nozzle	Duty cycle	Weight	Packaging
		l/min	AC V./Hz DC Volt	W	BSPG	Ø		min	Kg	mm

<b>090-5030-045</b>	Barrel Kit	<b>45</b>	12	264	F1" - F1"	20	Manual	40	10,25	410X400X320
<b>090-5030-060</b>	Barrel Kit	<b>60</b>	12	336	F1" - F1"	20	Manual	40	11,70	410X400X320
<b>090-5030-085</b>	Barrel Kit	<b>85</b>	12	432	F1" - F1"	20	Manual	S2 30	14,50	410X400X320

<b>090-5032-045</b>	Barrel Kit	<b>45</b>	24	312	F1" - F1"	20	Manual	40	10,25	410X400X320
<b>090-5032-060</b>	Barrel Kit	<b>60</b>	24	432	F1" - F1"	20	Manual	40	11,70	410X400X320
<b>090-5032-085</b>	Barrel Kit	<b>85</b>	24	432	F1" - F1"	20	Manual	S2 30	14,50	410X400X320

<b>090-5035-045</b>	Barrel Kit	<b>45</b>	12	264	F1" - F1"	20	Aut.PA60	40	10,85	410X400X320
<b>090-5035-060</b>	Barrel Kit	<b>60</b>	12	336	F1" - F1"	20	Aut.PA60	40	12,30	410X400X320
<b>090-5035-085</b>	Barrel Kit	<b>85</b>	12	432	F1" - F1"	20	Aut.PA90	S2 30	15,40	410X400X320

<b>090-5036-045</b>	Barrel Kit	<b>45</b>	24	312	F1" - F1"	20	Aut.PA60	40	10,85	410X400X320
<b>090-5036-060</b>	Barrel Kit	<b>60</b>	24	432	F1" - F1"	20	Aut.PA60	40	12,30	410X400X320
<b>090-5036-085</b>	Barrel Kit	<b>85</b>	24	432	F1" - F1"	20	Aut.PA90	S2 30	15,40	410X400X320

Portable diesel transferring kit with 12V or 24V DC electric pump. It is useful when the distribution or the diesel fuel transfer are needed, but only the electric power supply of a battery is available.

## “Barrel Kit” series composed by:



**Art. 091-5080-045** 12V Pump- power cable (sec. 2,5 mmq, 2 m lenght) with pincers and fuse - 45 l/min

**Art. 091-5082-045** 24V Pump- power cable (sec. 2,5 mmq, 2 m lenght) with pincers and fuse - 45 l/min



**Art. 091-5081-060** 12V Pump- power cable (sec. 4 mmq, 4 m lenght) with pincers and fuse - 60 l/min

**Art. 091-5083-060** 24V Pump- power cable (sec. 4 mmq, 4 m lenght) with pincers and fuse - 60 l/min



**Art. 091-5081-085** 12 V Pump- power cable (sec. 6 mmq, 4 m lenght) with pincers and fuse - 85 l/min

**Art. 091-5083-085** 24 V Pump- power cable (sec. 6 mmq, 4 m lenght) with pincers and fuse - 85 l/min



**Art. 092-5103-000** Mechanical flow meter 3 digits F1” 120 l/min



**Art. 908-0516-040** Connection hose ø 20 mm M-M 1” 4 m lenght



**Art. 095-5284-000** Telescopic suction hose with foot valve M 1” 495<885 mm lenght



**Art. 095-5280-609** M 1”- M 2” quick coupling



**Art. 093-5200-000** Manual nozzle MC80 Flow rate 80 l/min



**Art. 093-5210-000** Automatic nozzle PA60 Flow rate 70 l/min

**Art. 093-5215-000** Automatic nozzle PA90 Flow rate 90 l/min





**Art. 093-5300-000** Nozzle support bracket



# ELECTRIC PUMPS KIT FOR DIESEL TRANSFER “Barrel Kit”



Ref.	Descrip.	Flow rate	Voltage	Power	Inlet-Outlet	Conn. hose	Nozzle	Flow meter	Duty cycle	Weight	Packaging
		l/min	AC V./Hz DC Volt	W	BSPG	Ø			min	Kg	mm

<b>090-5037-M45</b>	Barrel Kit	<b>45</b>	12	264	F1" - F1"	20	Manual	YES	40	12,70	550X400X320
<b>090-5037-M60</b>	Barrel Kit	<b>60</b>	12	336	F1" - F1"	20	Manual	YES	40	14,10	550X400X320
<b>090-5037-M85</b>	Barrel Kit	<b>85</b>	12	432	F1" - F1"	20	Manual	YES	S2 30	16,90	550X400X320

<b>090-5038-M45</b>	Barrel Kit	<b>45</b>	24	312	F1" - F1"	20	Manual	YES	40	12,70	550X400X320
<b>090-5038-M60</b>	Barrel Kit	<b>60</b>	24	432	F1" - F1"	20	Manual	YES	40	14,10	550X400X320
<b>090-5038-M85</b>	Barrel Kit	<b>85</b>	24	432	F1" - F1"	20	Manual	YES	S2 30	16,90	550X400X320

<b>090-5037-045</b>	Barrel Kit	<b>45</b>	12	264	F1" - F1"	20	Aut.PA60	YES	40	13,30	550X400X320
<b>090-5037-060</b>	Barrel Kit	<b>60</b>	12	336	F1" - F1"	20	Aut.PA60	YES	40	14,70	550X400X320
<b>090-5037-085</b>	Barrel Kit	<b>85</b>	12	432	F1" - F1"	20	Aut.PA90	YES	S2 30	17,80	550X400X320

<b>090-5038-045</b>	Barrel Kit	<b>45</b>	24	312	F1" - F1"	20	Aut.PA60	YES	40	13,30	550X400X320
<b>090-5038-060</b>	Barrel Kit	<b>60</b>	24	432	F1" - F1"	20	Aut.PA60	YES	40	14,70	550X400X320
<b>090-5038-085</b>	Barrel Kit	<b>85</b>	24	432	F1" - F1"	20	Aut.PA90	YES	S2 30	17,80	550X400X320

Transfer kit composed by electric vane pump 230V/115V, hose  $\varnothing$  20 4 m lenght, suction hose  $\varnothing$  25 2 m lenght complete with valve + filter, manual or automatic dispensing nozzle.

### “Transfer Kit” series composed by:



**Art. 091-5095-060** Electric pump 230V 50Hz 60 l/min

**Art. 091-5098-070** Electric pump 230V 50Hz 70 l/min



**Art. 091-5099-070** Electric pump 115V 60Hz 70 l/min



**Art. 908-0516-040** Connection hose  $\varnothing$  20 mm M-M 1" 4 m lenght



**Art. 095-5440-020** Suction hose  $\varnothing$  25 mm 2 m lenght




**Art. 093-5202-000** Aluminium manual nozzle MC100 Flow rate 100 l/min



**Art. 093-5210-000** Automatic nozzle PA60 Flow rate 70 l/min

# ELECTRIC PUMPS KIT FOR DIESEL TRANSFER "Transfer Kit"



Ref.	Descrip.	Flow rate	Voltage	Power	Inlet-Outlet	Conn. Hose	Nozzle	Duty cycle	Weight	Packaging
		l/min	AC V./Hz DC Volt	W	BSPG	Ø		min	Kg	mm

<b>090-5260-060</b>	Transfer Kit	<b>60</b>	230/50	460	F1" - F1"	20	Manual	Contin.	10,30	410X400X270
<b>090-5260-070</b>	Transfer Kit	<b>70</b>	230/50	552	F1" - F1"	20	Manual	Contin.	11,20	410X400X270
<b>090-5260-07X</b>	Transfer Kit	<b>70</b>	115/60	575	F1" - F1"	20	Manual	Contin.	11,20	410X400X270
<b>090-5262-060</b>	Transfer Kit	<b>60</b>	230/50	460	F1" - F1"	20	Aut.PA60	Contin.	11,00	410X400X270
<b>090-5262-070</b>	Transfer Kit	<b>70</b>	230/50	552	F1" - F1"	20	Aut.PA60	Contin.	12,20	410X400X270
<b>090-5262-07X</b>	Transfer Kit	<b>70</b>	115/60	575	F1" - F1"	20	Aut.PA60	Contin.	12,20	410X400X270

Transfer kit composed by electric vane pump 230V / 115V, hose  $\varnothing$  25 4 m lenght, suction hose  $\varnothing$  25 2 m lenght complete with valve + filter, manual or automatic dispensing nozzle.

## “Transfer Kit” series composed by:



**Art. 091-5100-100** Electric Pump 230V 50Hz 100 l/min

**Art. 091-5100-150** Electric Pump 230V 50Hz 150 l/min



**Art. 091-5101-100** Electric pump 115V 60Hz 100 l/min



**Art. 908-0616-040** Connection hose  $\varnothing$  25 mm M-M 1" 4 m lenght



**Art. 095-5440-020** Suction hose kit  $\varnothing$  25 mm 2 m lenght





**Art. 093-5202-000** Aluminium manual nozzle MC100 Flow rate 100 l/min



**Art. 093-5220-000** Automatic nozzle PA120 Flow rate 120 l/min

# ELECTRIC PUMPS KIT FOR DIESEL TRANSFER "Transfer Kit"



Ref.	Descrip.	Flow rate	Voltage	Power	Inlet-Outlet	Conn. hose	Nozzle	Duty cycle	Weight	Packaging
		l/min	AC V.Hz DC Volt	W	BSPG	Ø	 	min	Kg	mm

<b>090-5300-100</b>	Transfer Kit	<b>100</b>	230/50	805	F1" - F1"	25	Manual	Contin.	18,50	410X400X270
<b>090-5300-150</b>	Transfer Kit	<b>150</b>	230/50	1725	F1" - F1"	25	Manual	S2 30	21,60	410X400X270
<b>090-5300-10X</b>	Transfer Kit	<b>100</b>	115/60	977	F1" - F1"	25	Manual	Contin.	18,50	410X400X270
<b>090-5302-100</b>	Transfer Kit	<b>100</b>	230/50	805	F1" - F1"	25	Aut.PA120	Contin.	19,50	410X400X270
<b>090-5302-150</b>	Transfer Kit	<b>150</b>	230/50	1725	F1" - F1"	25	Aut.PA120	S2 30	22,60	410X400X270
<b>090-5302-10X</b>	Transfer Kit	<b>100</b>	115/60	977	F1" - F1"	25	Aut.PA120	Contin.	19,50	410X400X270

Kit for diesel transfer from drums and barrels through electric vane pump 230V / 115V.

The kit is composed by metallic telescopic hose for suction, 2” quick coupling for drum fixing, manual or automatic dispensing nozzle, with support bracket to facilitate the usage of the dispenser.

### “Barrel Kit” series composed by:



**Art. 091-5095-060** Electric pump 230V 50Hz 60 l/min

**Art. 091-5098-070** Electric pump 230V 50Hz 70 l/min



**Art. 091-5099-070** Electric pump 115V 50Hz 70 l/min



**Art. 908-0516-040** Connection hose ø 20 mm M-M 1” 4 m lenght



**Art. 095-5284-000** Telescopic suction hose with foot valve  
M 1” 495<885 mm lenght



**Art. 095-5280-609** M 1”- M 2” quick coupling



**Art. 093-5202-000** Aluminium manual nozzle MC100 Flow rate 100 l/min




**Art. 093-5210-000** Automatic nozzle PA60 Flow rate 70 l/min



**Art. 093-5300-000** Nozzle support bracket

# ELECTRIC PUMPS KIT FOR DIESEL TRANSFER “Barrel Kit”



Ref.	Descrip.	Flow rate	Voltage	Power	Inlet-Outlet	Conn. hose	Nozzle	Duty Cycle	Weight	Packaging
		l/min	AC V./Hz DC Volt	W	BSPG	Ø		min	Kg	mm

<b>090-5039-M60</b>	Barrel Kit	<b>60</b>	230/50	460	F1" - F1"	20	Man.	Contin.	12,80	410X400X320
<b>090-5039-M70</b>	Barrel Kit	<b>70</b>	230/50	552	F1" - F1"	20	Man.	Contin.	13,85	410X400X320
<b>090-5039-M7X</b>	Barrel Kit	<b>70</b>	115/60	575	F1" - F1"	20	Man.	Contin.	13,85	410X400X320
<b>090-5039-060</b>	Barrel Kit	<b>60</b>	230/50	460	F1" - F1"	20	Aut.PA60	Contin.	13,40	410X400X320
<b>090-5039-070</b>	Barrel Kit	<b>70</b>	230/50	552	F1" - F1"	20	Aut.PA60	Contin.	14,45	410X400X320
<b>090-5039-07X</b>	Barrel Kit	<b>70</b>	115/60	575	F1" - F1"	20	Aut.PA60	Contin.	14,45	410X400X320

Kit for diesel transfer from drums and barrels through electric vane pump 230V / 115V. The kit is composed by metallic telescopic hose for suction, mechanical flow meter, 2” quick coupling for drum fixing, manual or automatic dispensing nozzle, with support bracket to facilitate the usage of the dispenser.

### “Barrel Kit” series composed by:



**Art. 091-5095-060** Electric pump 230V 50Hz 60 l/min



**Art. 091-5098-070** Electric pump 230V 50Hz 70 l/min



**Art. 091-5099-070** Electric pump 115V 50Hz 70 l/min



**Art. 092-5103-000** Mechanical flow meter 3 digits F1” 120 l/min



**Art. 908-0516-040** Connection hose ø 20 mm M-M 1” 4 m lenght



**Art. 095-5284-000** Telescopic suction hose with foot valve  
M 1” 495<885 mm lenght



**Art. 095-5280-609** M 1”- M 2” quick coupling



**Art. 093-5202-000** Aluminium manual nozzle MC100 Flow rate 100 l/min





**Art. 093-5210-000** Automatic nozzle PA60 Flow rate 70 l/min

**Art. 093-5300-000** Nozzle support bracket



# ELECTRIC PUMPS KIT FOR DIESEL TRANSFER “Barrel Kit”



Ref.	Descrip.	Flow rate	Voltage	Power	Inlet-Outlet	Conn. hose	Nozzle	Flow meter	Duty cycle	Weight	Packaging
		l/min	AC V./Hz DC Volt	W	BSPG	Ø			min	Kg	mm

<b>090-5040-M60</b>	Barrel Kit	<b>60</b>	230/50	460	F1" - F1"	20	Man.	YES	Contin.	15,00	550X400X320
<b>090-5040-M70</b>	Barrel Kit	<b>70</b>	230/50	552	F1" - F1"	20	Man.	YES	Contin.	15,90	550X400X320
<b>090-5040-M7X</b>	Barrel Kit	<b>70</b>	115/60	575	F1" - F1"	20	Man.	YES	Contin.	15,90	550X400X320
<b>090-5040-060</b>	Barrel Kit	<b>60</b>	230/50	460	F1" - F1"	20	Aut.PA60	YES	Contin.	15,60	550X400X320
<b>090-5040-070</b>	Barrel Kit	<b>70</b>	230/50	552	F1" - F1"	20	Aut.PA60	YES	Contin.	16,45	550X400X320
<b>090-5040-07X</b>	Barrel Kit	<b>70</b>	115/60	575	F1" - F1"	20	Aut.PA60	YES	Contin.	16,45	550X400X320

Centrifugal electric pump kit for diesel transfer. It is perfect for a quick and handy refuelling from barrels of diesel-powered vehicles. It is equipped with suction filter and integrated switch. It can be powered from electric line 230V / 115V and battery 12V / 24V.

It is connected to the barrel through M64x4 2” BSP.



**“Dispenser Kit” series composed by:**

**Art. 091-5600-040** Electric pump 230V 50Hz 40 l/min

**Art. 091-5602-040** Electric pump 115V 60Hz 40 l/min



**Art. 091-5610-035** Electric pump 12V 35 l/min

**Art. 091-5612-035** Electric pump 24 V 35 l/min



**Art. 908-0500-040** Antistatic rubber hose for diesel  $\varnothing$ 19X27 mm 4 m length



**Art. 093-5199-000** Plastic manual nozzle “MP120” Flow rate 120 l/min



**Art. 093-5210-000** Automatic nozzle PA60 Flow rate 70 l/min

# CENTRIFUGAL PUMP KIT FOR DIESEL TRANSFER “Dispenser Kit”



Ref.	Descrip.	Flow rate	Voltage	Power	Fixing to barrel	Conn. hose	Nozzle	Duty cycle	Weight	Packaging
		l/min	AC V./Hz DC Volt	W	BSPG	Ø		min	Kg	mm

<b>090-5400-040</b>	Dispenser kit	<b>40</b>	230/50	224	2"	19	Man.	Contin.	4,00	410x400x270
<b>090-5400-04X</b>	Dispenser kit	<b>40</b>	115/60	320	2"	19	Man.	Contin.	4,00	410x400x270
<b>090-5400-Y35</b>	Dispenser kit	<b>35</b>	12	110	2"	19	Man.	Contin.	4,00	410x400x270
<b>090-5400-Z35</b>	Dispenser kit	<b>35</b>	24	135	2"	19	Man.	Contin.	4,00	410x400x270
<b>090-5401-040</b>	Dispenser kit	<b>40</b>	230/50	224	2"	19	Aut.PA60	Contin.	5,10	410x400x270
<b>090-5401-04X</b>	Dispenser kit	<b>40</b>	115/60	320	2"	19	Aut.PA60	Contin.	5,10	410x400x270
<b>090-5401-Y35</b>	Dispenser kit	<b>35</b>	12	110	2"	19	Aut.PA60	Contin.	5,10	410x400x270
<b>090-5401-Z35</b>	Dispenser kit	<b>35</b>	24	135	2"	19	Aut.PA60	Contin.	5,10	410x400x270

Centrifugal electric pump kit for diesel transfer. It is perfect for a quick and handy refuelling from barrels of diesel-powered vehicles. It is equipped with suction filter and integrated switch. It can be powered from electric line 230V / 115V and battery 12V / 24V.

It is connected to the barrel through M64x4 2” BSP.



### “Dispenser Kit” series composed by

**Art. 091-5600-040** Electric pump 230V 50Hz 40 l/min

**Art. 091-5602-040** Electric pump 115V 60Hz 40 l/min



**Art. 091-5610-035** Electric pump 12V 35 l/min

**Art. 091-5612-035** Electric pump 24 V 35 l/min



**Art. 092-5124-000** Digital turbine flow meter MEC 24  
min/max flow rate 7/120 l/min



**Art. 908-0500-040** Antistatic rubber hose for diesel  $\varnothing$ 19X27 mm 4 m length





**Art. 093-5199-000** Plastic manual nozzle “MP120” Flow rate 120 l/min



**Art. 093-5210-000** Automatic nozzle PA60 Flow rate 70 l/min

# CENTRIFUGAL PUMP KIT FOR DIESEL TRANSFER “Dispenser Kit”



Ref.	Descrip.	Flow rate	Voltage	Power	Fixing to barell	Conn. hose	Nozzle	Flow meter	Duty cycle	Wei-ght	Packaging
		l/min	AC V./Hz DC Volt	W	BSPG	Ø			min	Kg	mm

<b>090-5402-040</b>	Dispenser kit	<b>40</b>	230/50	224	2"	19	Man	YES	Contin.	4,45	410x400x270
<b>090-5402-04X</b>	Dispenser kit	<b>40</b>	115/60	320	2"	19	Man.	YES	Contin.	4,45	410x400x270
<b>090-5402-Y35</b>	Dispenser kit	<b>35</b>	12	110	2"	19	Man.	YES	Contin.	4,45	410x400x270
<b>090-5402-Z35</b>	Dispenser kit	<b>35</b>	24	135	2"	19	Man.	YES	Contin.	4,45	410x400x270
<b>090-5403-040</b>	Dispenser kit	<b>40</b>	230/50	224	2"	19	Aut.PA60	YES	Contin.	5,45	410x400x270
<b>090-5403-04X</b>	Dispenser kit	<b>40</b>	115/60	320	2"	19	Aut.PA60	YES	Contin.	5,45	410x400x270
<b>090-5403-Y35</b>	Dispenser kit	<b>35</b>	12	110	2"	19	Aut.PA60	YES	Contin.	5,45	410x400x270
<b>090-5403-Z35</b>	Dispenser kit	<b>35</b>	24	135	2"	19	Aut.PA60	YES	Contin.	5,45	410x400x270

Diesel transferring kit for private use. It allows the quick and safe filling of the vehicles.  
All the accessories to complement the dispenser are available.

### “Compact” composed by:



**Art. 091-5081-045** 12V Pump - power cable (sec. 4 mmq, 4 m lenght) with pincers and fuse - 45 l/min



**Art. 091-5083-045** 24V Pump- power cable (sec. 4 mmq, 4 m lenght) con pincers and fuse - 45 l/min



**Art. 091-5081-060** 12V Pump- power cable (sec. 4 mmq, 4 m lenght) with pincers and fuse - 60 l/min



**Art. 091-5083-060** 24V Pump- power cable (sec. 4 mmq, 4 m lenght) with pincers and fuse - 60 l/min

**Art. 091-5095-060** Electric pump 230V 50Hz 60 l/min

**Art. 091-5098-070** Electric pump 230V 50Hz 70 l/min

**Art. 091-5100-100** Electric pump 230V 50Hz 100 l/min



**Art. 908-0516-040** Connection hose  $\varnothing$  20 mm M-M 1" 4 m lenght

**Art. 908-0616-040** Connection hose  $\varnothing$  25 mm M-M 1" 4 m lenght



**Art. 093-5202-000** Aluminium manual nozzle MC100 Flow rate 100 l/min



**Art. 093-5210-000** Automatic nozzle PA60 Flow rate 70 l/min

**Art. 093-5220-000** Automatic nozzle PA120 Flow rate 120 l/min

### OPTIONAL:



Cartridge filter **page 93**

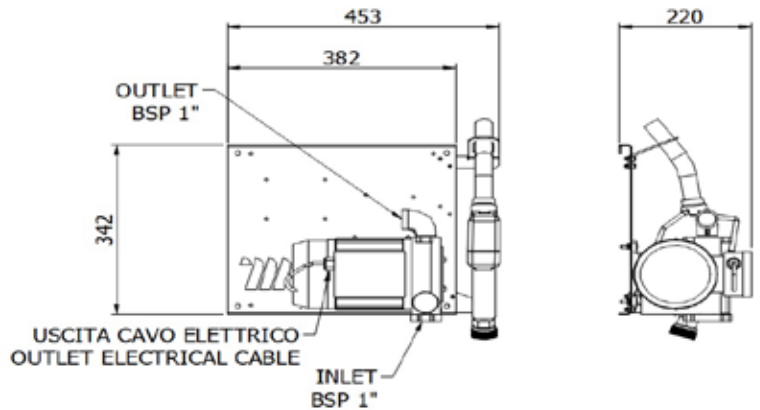


Suction hose kit **page 95**



**Art. 090-5056-000** Cabinet for pump unit

# WALL DISPENSER FOR DIESEL TRANSFER "Compact"



Ref.	Descrip.	Flow rate	Voltage	Power	Inlet-outlet	Conn. hose	Nozzle	Duty cycle	Weight	Packaging
		l/min	AC V./Hz DC Volt	W	BSPG	∅		min	Kg	mm

<b>090-5043-060</b>	Compact	<b>60</b>	230/50	460	F1" - F1"	20	Aut.PA60	Contin.	13,75	410X400X320
<b>090-5043-070</b>	Compact	<b>70</b>	230/50	552	F1" - F1"	20	Aut.PA60	Contin.	15,10	410X400X320
<b>090-5043-100</b>	Compact	<b>100</b>	230/50	805	F1" - F1"	25	Aut.PA120	Contin.	22,60	410X400X320
<b>090-5044-060</b>	Compact	<b>60</b>	230/50	460	F1" - F1"	20	Man.	Contin.	13,10	410X400X320
<b>090-5044-070</b>	Compact	<b>70</b>	230/50	552	F1" - F1"	20	Man.	Contin.	14,10	410X400X320
<b>090-5044-100</b>	Compact	<b>100</b>	230/50	805	F1" - F1"	25	Man.	Contin.	21,60	410X400X320
<b>090-5043-07X</b>	Compact	<b>70</b>	115/60	575	F1" - F1"	20	Aut.PA60	Contin.	15,10	410X400X320
<b>090-5043-10X</b>	Compact	<b>100</b>	115/60	977	F1" - F1"	25	Aut.PA120	Contin.	22,60	410X400X320
<b>090-5044-07X</b>	Compact	<b>70</b>	115/60	575	F1" - F1"	20	Man.	Contin.	14,10	410X400X320
<b>090-5044-10X</b>	Compact	<b>100</b>	115/60	977	F1" - F1"	25	Man.	Contin.	21,60	410X400X320
<b>090-5043-Y45</b>	Compact	<b>45</b>	12	264	F1" - F1"	20	Aut.PA60	40	11,50	410X400X320
<b>090-5043-Z45</b>	Compact	<b>45</b>	24	312	F1" - F1"	20	Aut.PA60	40	11,50	410X400X320
<b>090-5043-Y60</b>	Compact	<b>60</b>	12	336	F1" - F1"	20	Aut.PA60	40	13,00	410X400X320
<b>090-5043-Z60</b>	Compact	<b>60</b>	24	432	F1" - F1"	20	Aut.PA60	40	13,00	410X400X320
<b>090-5044-Y45</b>	Compact	<b>45</b>	12	264	F1" - F1"	20	Man.	40	11,00	410X400X320
<b>090-5044-Z45</b>	Compact	<b>45</b>	24	312	F1" - F1"	20	Man.	40	11,00	410X400X320
<b>090-5044-Y60</b>	Compact	<b>60</b>	12	336	F1" - F1"	20	Man.	40	12,50	410X400X320
<b>090-5044-Z60</b>	Compact	<b>60</b>	24	432	F1" - F1"	20	Man.	40	12,50	410X400X320

Diesel transferring kit for private use. It allows the quick and safe filling of the vehicles.

It also permits to measure and record the dispensed quantities.

All the accessories to complement the dispenser are available.

## “Compact” series composed by:



**Art. 091-5081-045** 12V Pump - power cable (sec. 4 mmq, 4 m lenght) with pincers and fuse - 45 l/min



**Art. 091-5083-045** 24V Pump - power cable (sec. 4 mmq, 4 m lenght) with pincers and fuse- 45 l/min



**Art. 091-5081-060** 12V Pump - power cable(sec. 4 mmq, 4 m lenght) with pincers and fuse - 60 l/min



**Art. 091-5083-060** 24V Pump- power cable (sec. 4 mmq, 4 m lenght) with pincers and fuse - 60 l/min



**Art. 091-5095-060** Electric pump 230V 50Hz 60 l/min

**Art. 091-5098-070** Electric pump 230V 50Hz 70 l/min

**Art. 091-5100-100** Electric pump 230V 50Hz 100 l/min



**Art. 091-5099-070** Electric pump 115V 60Hz 70 l/min

**Art. 091-5101-100** Electric pump 115V 60Hz 100 l/min



**Art. 908-0516-040** Connection hose ø 20 mm M-M 1” 4 m lenght

**Art. 908-0616-040** Connection hose ø 25 mm M-M 1” 4 m lenght



**Art. 093-5202-000** Aluminium manual nozzle MC100 Flow rate 100 l/min

**Art. 093-5210-000** Automatic nozzle PA60 Flow rate 70 l/min

**Art. 093-5220-000** Automatic nozzle PA120 Flow rate 120 l/min



**Art. 092-5103-000** Mechanical flow meter 3 digits F1” 120 l/min 3C

**Art. 092-5104-000** Mechanical flow meter 4 digits F1” 120 l/min 4C



## OPTIONAL:

**Cartridge filter page 93**

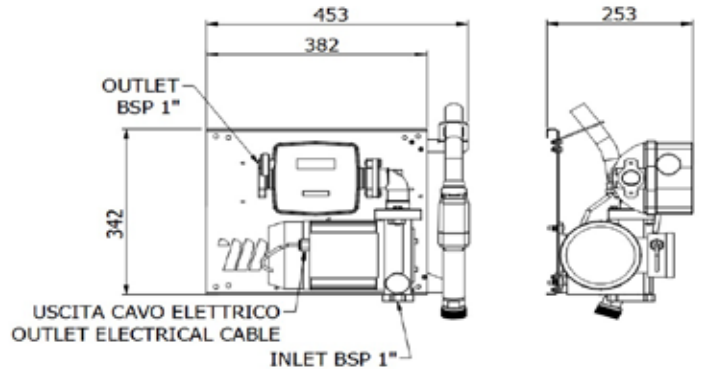


**Suction hose kit page 95**

**Art. 090-5056-000 Cabinet for pump unit**



# WALL DISPENSER FOR DIESEL TRANSFER "Compact"



Ref.	Descrip.	Flow rate l/min	Voltage AC V/Hz DC Volt	Power W	Inlet-outlet BSPG	Conn. hose Ø	Nozzle	Flow meter	Duty cycle min	Weight Kg	Packaging mm
------	----------	--------------------	-------------------------------	------------	----------------------	-----------------	--------	------------	-------------------	--------------	-----------------

090-5045-060	Compact	60	230/50	460	F1" - F1"	20	AutPA60	3C	Contin.	16,00	410X400X320
090-5045-070	Compact	70	230/50	552	F1" - F1"	20	AutPA60	3C	Contin.	17,00	410X400X320
090-5045-100	Compact	100	230/50	805	F1" - F1"	25	AutPA120	4C	Contin.	22,00	410X400X320
090-5046-060	Compact	60	230/50	460	F1" - F1"	20	Manual	3C	Contin.	15,50	410X400X320
090-5046-070	Compact	70	230/50	552	F1" - F1"	20	Manual	3C	Contin.	16,50	410X400X320
090-5046-100	Compact	100	230/50	805	F1" - F1"	25	Manual	4C	Contin.	21,50	410X400X320
090-5045-07X	Compact	70	115/60	575	F1" - F1"	20	AutPA60	3C	Contin.	17,00	410X400X320
090-5045-10X	Compact	100	115/60	977	F1" - F1"	25	AutPA120	4C	Contin.	22,00	410X400X320
090-5046-07X	Compact	70	115/60	575	F1" - F1"	20	Manual	3C	Contin.	16,50	410X400X320
090-5046-10X	Compact	100	115/60	977	F1" - F1"	25	Manual	4C	Contin.	21,50	410X400X320
090-5045-Y45	Compact	45	12	264	F1" - F1"	20	AutPA60	3C	40	13,70	410X400X320
090-5045-Z45	Compact	45	24	312	F1" - F1"	20	AutPA60	3C	40	13,70	410X400X320
090-5045-Y60	Compact	60	12	336	F1" - F1"	20	AutPA60	3C	40	15,20	410X400X320
090-5045-Z60	Compact	60	24	432	F1" - F1"	20	AutPA60	3C	40	15,20	410X400X320
090-5046-Y45	Compact	45	12	264	F1" - F1"	20	Manual	3C	40	13,00	410X400X320
090-5046-Z45	Compact	45	24	312	F1" - F1"	20	Manual	3C	40	13,00	410X400X320
090-5046-Y60	Compact	60	12	336	F1" - F1"	20	Manual	3C	40	14,50	410X400X320
090-5046-Z60	Compact	60	24	432	F1" - F1"	20	Manual	3C	40	14,50	410X400X320

Diesel transferring kit for private use. It allows the quick and safe filling of the vehicles.

It also permits to measure and record the dispensed quantities.

All the accessories to complement the dispenser are available.

### “Compact” series composed by:



**Art. 091-5081-045** 12V Pump - power cable (sec. 4 mmq, 4 m lenght) with pincers and fuse - 45 l / min



**Art. 091-5083-045** 24V Pump - power cable (sec. 4 mmq, 4 m lenght) with pincers and fuse - 45 l / min



**Art. 091-5081-060** 12V Pump - power cable (sec. 4 mmq, 4 m lenght) with pincers and fuse - 60 l / min



**Art. 091-5083-060** 24V Pump - power cable (sec. 4 mmq, 4 m lenght) with pincers and fuse - 60 l / min

**Art. 091-5095-060** Electric pump 230V 50Hz 60 l/min

**Art. 091-5098-070** Electric pump 230V 50Hz 70 l/min

**Art. 091-5100-100** Electric pump 230V 50Hz 100 l/min



**Art. 908-0516-040** Connection hose Ø 20 mm M-M 1” 4 m lenght

**Art. 908-0616-040** Connection hose Ø 25 mm M-M 1” 4 m lenght



**Art. 093-5210-000** Automatic nozzle PA60 Flow rate 70 l/min

**Art. 093-5220-000** Automatic nozzle PA120 Flow rate 120 l/min



**Art. 092-5103-000** Mechanical flow meter 3 digits F1” 120 l/min 3C

**Art. 092-5104-000** Mechanical flow meter 4 digits F1” 120 l/min 4C



**Art. 094-5240-000** Water separating delivery filter for diesel 70 l/min

**Art. 094-5245-000** Water separating delivery filter for diesel 150 l/min

### OPTIONAL:

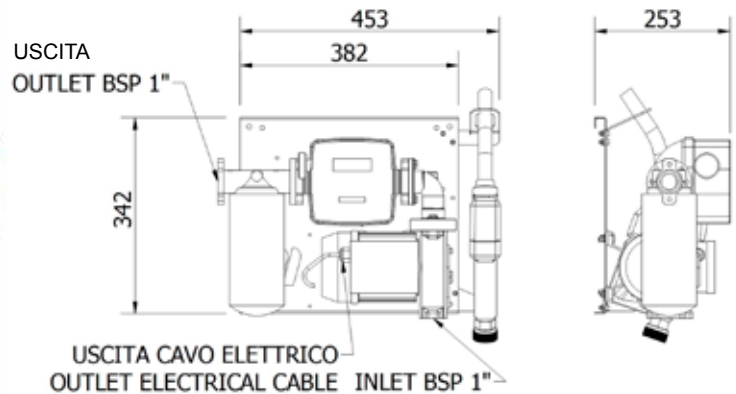


**Suction hose kit page 95**



**Art. 090-5056-000** Cabinet

# WALL DISPENSER FOR DIESEL TRANSFER "Compact"



Ref.	Descrip.	Flow Rate	Voltage	Power	Inlet-Outlet	Conn. Hose	Nozzle	Flow meter/Filter	Duty Cycle	Weight	Packaging
		l/min	AC V/Hz DC Volt	W	BSPG	Ø			min	Kg	mm

<b>090-5047-060</b>	Compact	<b>60</b>	230/50	460	F1" - F1"	20	Aut.PA60	YES3C	Contin.	20,50	550X400X320
<b>090-5047-070</b>	Compact	<b>70</b>	230/50	552	F1" - F1"	20	Aut.PA60	YES3C	Contin.	21,50	550X400X320
<b>090-5047-100</b>	Compact	<b>100</b>	230/50	805	F1" - F1"	25	Aut.PA120	YES4C	Contin.	26,50	550X400X320
<b>090-5047-07X</b>	Compact	<b>70</b>	115/60	575	F1" - F1"	20	Aut.PA60	YES3C	Contin.	21,50	550X400X320
<b>090-5047-10X</b>	Compact	<b>100</b>	115/60	977	F1" - F1"	25	Aut.PA120	YES4C	Contin.	26,50	550X400X320
<b>090-5047-Y45</b>	Compact	<b>45</b>	12	264	F1" - F1"	20	Aut.PA60	YES3C	40	18,20	550X400X320
<b>090-5047-Z45</b>	Compact	<b>45</b>	24	312	F1" - F1"	20	Aut.PA60	YES3C	40	18,20	550X400X320
<b>090-5047-Y60</b>	Compact	<b>60</b>	12	336	F1" - F1"	20	Aut.PA60	YES3C	40	19,70	550X400X320
<b>090-5047-Z60</b>	Compact	<b>60</b>	24	432	F1" - F1"	20	Aut.PA60	YES3C	40	19,70	550X400X320

Diesel transferring kit for private use. It allows the quick and safe filling of the vehicles.  
It also permits to measure and record the dispensed quantities.

### “Wall Mec” series composed by:



**Art. 091-5095-060** Electric pump 230V 50Hz 60 l/min

**Art. 091-5098-070** Electric pump 230V 50Hz 70 l/min

**Art. 091-5100-100** Electric pump 230V 50Hz 100 l/min



**Art. 091-5099-070** Electric pump 115V 60Hz 70 l/min

**Art. 091-5101-100** Electric pump 115V 60Hz 100 l/min



**Art. 908-0516-060** Connection hose  $\varnothing$  20 mm M-M 1” 6 m length

**Art. 908-0616-060** Connection hose  $\varnothing$  25 mm M-M 1” 6 m length



**Art. 093-5210-000** Automatic nozzle PA60 Flow rate 70 l/min

**Art. 093-5220-000** Automatic nozzle PA120 Flow rate 120 l/min



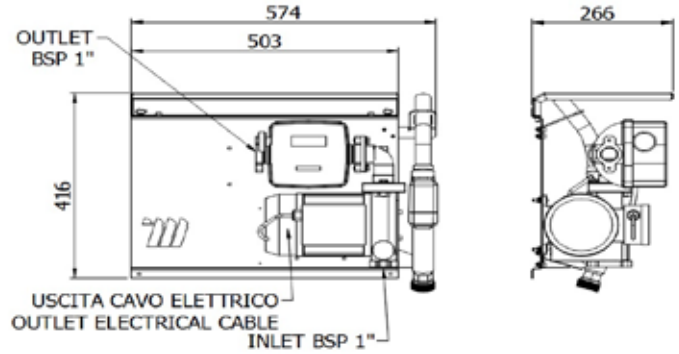
**Art. 092-5103-000** Mechanical flow meter 3 digits F1” 120 l/min 3C



**Art. 092-5104-000** Mechanical flow meter 4 digits F1” 120 l/min 4C



**Art. 095-5440-040** Suction hose kit with valve  $\varnothing$  25, 4 m length

# WALL DISPENSER FOR DIESEL TRANSFER "Wall Mec"



Ref.	Descrip.	Flow rate	Voltage	Power	Inlet-outlet	Conn. hose	Nozzle	Flow meter	Duty cycle	Weight	Packaging
		l/min	AC V./Hz DC Volt	W	BSPG	Ø			min	Kg	mm

## Without suction hose kit

<b>090-5048-060</b>	Wall Mec	<b>60</b>	230/50	460	F1" - F1"	20	Aut.PA60	3C	Contin.	19,00	550X400X320
<b>090-5048-070</b>	Wall Mec	<b>70</b>	230/50	552	F1" - F1"	20	Aut.PA60	3C	Contin.	20,50	550X400X320
<b>090-5048-100</b>	Wall Mec	<b>100</b>	230/50	805	F1" - F1"	25	Aut.PA120	4C	Contin.	25,50	550X400X320
<b>090-5048-07X</b>	Wall Mec	<b>70</b>	115/60	575	F1" - F1"	20	Aut.PA60	3C	Contin.	20,50	550X400X320
<b>090-5048-10X</b>	Wall Mec	<b>100</b>	115/60	977	F1" - F1"	25	Aut.PA120	4C	Contin.	25,50	550X400X320

## With suction hose kit ref. 095-5440-040

<b>090-5148-060</b>	Wall Mec	<b>60</b>	230/50	460	F1" - F1"	20	Aut.PA60	3C	Contin.	20,50	550X400X320
<b>090-5148-070</b>	Wall Mec	<b>70</b>	230/50	552	F1" - F1"	20	Aut.PA60	3C	Contin.	21,70	550X400X320
<b>090-5148-100</b>	Wall Mec	<b>100</b>	230/50	805	F1" - F1"	25	Aut.PA120	4C	Contin.	26,70	550X400X320
<b>090-5148-07X</b>	Wall Mec	<b>70</b>	115/60	575	F1" - F1"	20	Aut.PA60	3C	Contin.	21,70	550X400X320
<b>090-5148-10X</b>	Wall Mec	<b>100</b>	115/60	977	F1" - F1"	25	Aut.PA120	4C	Contin.	26,70	550X400X320

Diesel transferring kit for private use. It allows the quick and safe filling of the vehicles.  
It also permits to measure and record the dispensed quantities.

### “Wall Mec” series composed by:



**Art. 091-5095-060** Electric pump 230V 50Hz 60 l/min

**Art. 091-5098-070** Electric pump 230V 50Hz 70 l/min

**Art. 091-5100-100** Electric pump 230V 50Hz 100 l/min



**Art. 091-5099-070** Electric pump 115V 60Hz 70 l/min

**Art. 091-5101-100** Electric pump 115V 60Hz 100 l/min



**Art. 908-0516-060** Connection hose  $\varnothing$  20 mm M-M 1" 6 m length

**Art. 908-0616-060** Connection hose  $\varnothing$  25 mm M-M 1" 6 m length



**Art. 093-5210-000** Automatic nozzle PA60 Flow rate 70 l/min

**Art. 093-5220-000** Automatic nozzle PA120 Flow rate 120 l/min



**Art. 092-5103-000** Mechanical flow meter 3 digits F1" 120 l/min 3C

**Art. 092-5104-000** Mechanical flow meter 4 digits F1" 120 l/min 4C



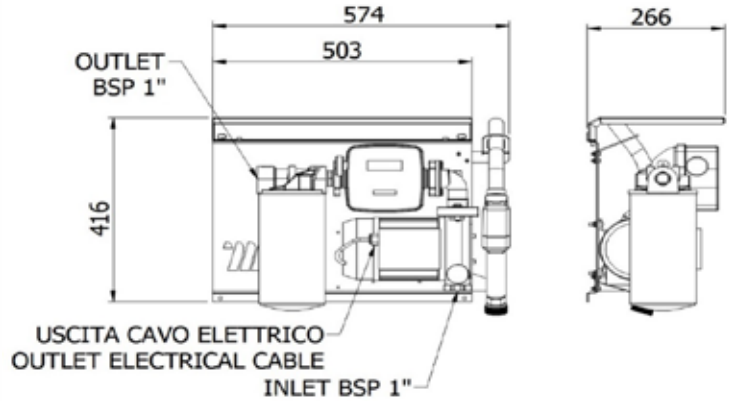
**Art. 094-5240-000** Water separating delivery filter for diesel 70 l/min

**Art. 094-5245-000** Water separating delivery filter for diesel 150 l/min



**Art. 095-5440-040** Suction hose kit with valve  $\varnothing$  25, 4 m length

# WALL DISPENSER FOR DIESEL TRANSFER "Wall Mec"



Ref.	Descrip.	Flow rate	Voltage	Power	Inlet-outlet	Conn. hose	Nozzle	Flow meter/Filter	Duty cycle	Weight	Packaging
		l/min	AC V./Hz DC Volt	W	BSPG	Ø			min	Kg	mm

## Without suction hose kit

<b>090-5049-060</b>	Wall Mec	<b>60</b>	230/50	460	F1" - F1"	20	Aut.PA60	YES3C	Contin.	20,20	550X400X320
<b>090-5049-070</b>	Wall Mec	<b>70</b>	230/50	552	F1" - F1"	20	Aut.PA60	YES3C	Contin.	22,75	550X400X320
<b>090-5049-100</b>	Wall Mec	<b>100</b>	230/50	805	F1" - F1"	25	Aut.PA120	YES4C	Contin.	27,75	550X400X320
<b>090-5049-07X</b>	Wall Mec	<b>70</b>	115/60	575	F1" - F1"	20	Aut.PA60	YES3C	Contin.	22,75	550X400X320
<b>090-5049-10X</b>	Wall Mec	<b>100</b>	115/60	977	F1" - F1"	25	Aut.PA120	YES4C	Contin.	27,75	550X400X320

## With suction hose kit Cod. 095-5440-040

<b>090-5149-060</b>	Wall Mec	<b>60</b>	230/50	460	F1" - F1"	20	Aut.PA60	YES3C	Contin.	21,70	550X400X320
<b>090-5149-070</b>	Wall Mec	<b>70</b>	230/50	552	F1" - F1"	20	Aut.PA60	YES3C	Contin.	24,00	550X400X320
<b>090-5149-100</b>	Wall Mec	<b>100</b>	230/50	805	F1" - F1"	25	Aut.PA120	YES4C	Contin.	29,00	550X400X320
<b>090-5149-07X</b>	Wall Mec	<b>70</b>	115/60	575	F1" - F1"	20	Aut.PA60	YES3C	Contin.	24,00	550X400X320
<b>090-5149-10X</b>	Wall Mec	<b>100</b>	115/60	977	F1" - F1"	25	Aut.PA120	YES4C	Contin.	29,00	550X400X320

Solid cabinet in anti-corrosion painted steel complete with key lock. The pump is inside the cabinet with anti-vibration supports. It is equipped with nozzle holder, microswitch to turn it on/off, automatic nozzle with swiveling joint. Diesel transfer system for private usage, it allows the quick and safe filling of vehicles, and permits to measure and record the dispensed quantities.

## “Meclube Box” series composed by:



**Art. 091-5095-060** Electric pump 230V 50Hz 60 l/min

**Art. 091-5098-070** Electric pump 230V 50Hz 70 l/min

**Art. 091-5100-100** Electric pump 230V 50Hz 100 l/min



**Art. 091-5099-070** Electric pump 115V 60Hz 70 l/min

**Art. 091-5101-100** Electric pump 115V 60Hz 100 l/min



**Art. 908-0516-060** Connection hose ø 20 mm M-M 1” 6 m lenght

**Art. 908-0616-060** Connection hose ø 25 mm M-M 1” 6 m lenght



**Art. 093-5210-000** Automatic nozzle PA60 Flow rate 70 l/min

**Art. 093-5220-000** Automatic nozzle PA120 Flow rate 120 l/min



**Art. 092-5103-000** Mechanical flow meter 3 digits F1” 120 l/min 3C

**Art. 092-5104-000** Mechanical flow meter 4 digits F1” 120 l/min 4C



**Art. 094-5240-000** Water separating delivery filter for diesel 70 l/min

**Art. 094-5245-000** Water separating delivery filter for diesel 150 l/min



**Art. 090-5056-000** Cabinet

## OPTIONAL:





Suction hose kit **page 95**



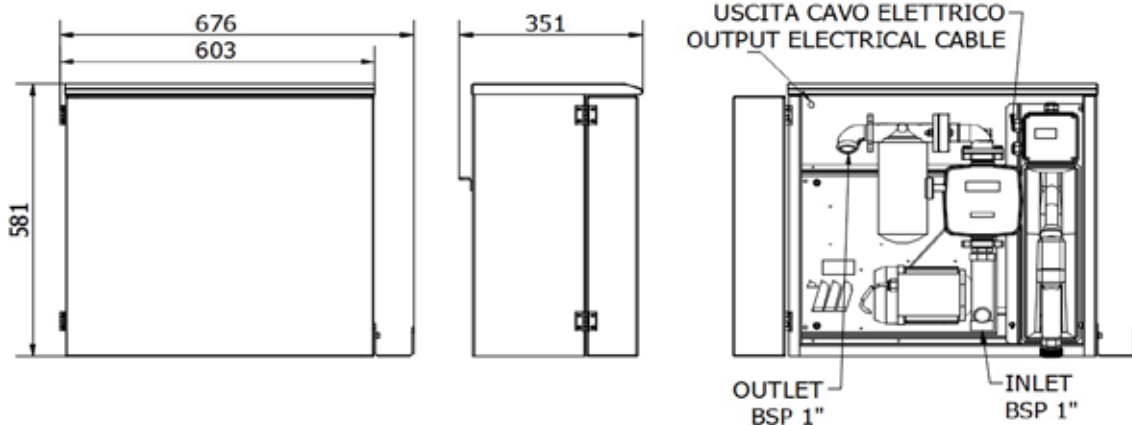
# CABINET DISPENSER FOR DIESEL TRANSFER “Meclube Box”



Ref.	Descrip.	Flow rate	Voltage	Power	Inlet-Outlet	Conn. hose	Nozzle	Flow meter/Filter	Duty cycle	Weight	Packaging
		l/min	AC V./Hz DC Volt	W	BSPG	Ø			min	Kg	mm

<b>090-5050-060</b>	Meclube box	<b>60</b>	230/50	460	F1" - F1"	20	Aut.PA60	YES 3C	Contin.	46,00	615X375X605
<b>090-5050-070</b>	Meclube box	<b>70</b>	230/50	552	F1" - F1"	20	Aut.PA60	YES 3C	Contin.	47,00	615X375X605
<b>090-5050-100</b>	Meclube box	<b>100</b>	230/50	805	F1" - F1"	25	Aut.PA120	YES 4C	Contin.	49,00	615X375X605

<b>090-5050-07X</b>	Meclube box	<b>70</b>	115/60	575	F1" - F1"	20	Aut.PA60	YES 3C	Contin.	47,00	615X375X605
<b>090-5050-10X</b>	Meclube box	<b>100</b>	115/60	977	F1" - F1"	25	Aut.PA120	YES 4C	Contin.	49,00	615X375X605



The Mec-Reel manufactured by Meclube is a dispatching group composed by an automatic hose reel with 15 m hose, pump with continuous power, water filter in suction and automatic nozzle, all components are integrated in a strong support. The Mec-Reel can be easily installed due to its compactness and versatility. It is the perfect solution to complete tanks or for mobile units.

### “Mec-Reel” series composed by:



**Art. 091-5081-060** 12V Pump - power cable (sec. 4 mmq. m 4 lenght)  
with pincers and fuse - 60 l/min

**Art. 091-5083-060** 24V Pump - power cable (sec. 4 mmq. m 4 lenght)  
with pincers and fuse - 60 l/min



**Art. 070-1408-515** Automatic fixed diesel hose reel 10 bar  
Hose lenght 15 m - Ø hose 3/4” - Inlet/Outlet G 1”



**Art. 093-5210-000** Automatic nozzle PA60 flow rate 70 l/min



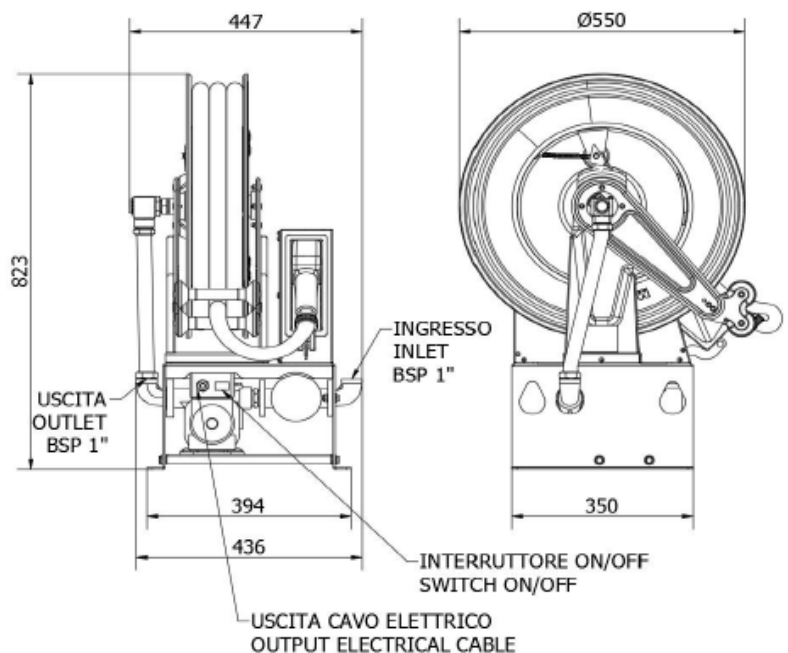
**Art. 094-5240-000** Water separating delivery filter for diesel 70 l/min

# “Mec-Reel” DISTRIBUTOR



Ref.	Description	Flow rate	Voltage	Power	Inlet	Hose Reel	Nozzle	Filter	Weight	Packaging
		l/min	DC Volt	W	BSPG				Kg	mm

<b>090-5060-Y60</b>	Mec-Reel	<b>60</b>	12	336	F1"	Ø 3/4"-15 m	Aut.PA60	YES	57,5	475x670x840
<b>090-5060-Z60</b>	Mec-Reel	<b>60</b>	24	432	F1"	Ø 3/4"-15 m	Aut.PA60	YES	57,5	475x670x840



Diesel transfer system for private usage, it allows the quick and safe filling of vehicles, and permits to measure and record the dispensed quantities. It is equipped with nozzle holder, microswitch to turn the pump on/off, automatic nozzle with swiveling joint, and extractable hose support. The equipment can be fixed to the wall, to a tank or to its own support column.

### “Cami Dispenser” series composed by:



**Art. 091-5081-060** 12V Pump - power cable (sec. 4 mmq, 4 m lenght) with pincers and fuse- 60 l/min

**Art. 091-5083-060** 24V Pump - power cable (sec. 4 mmq, 4 m lenght) with pincers and use carrier - 60 l/min



**Art. 091-5095-060** Electric pump 230V 50Hz 60 l/min

**Art. 091-5098-070** Electric pump 230V 50Hz 70 l/min

**Art. 091-5100-100** Electric pump 230V 50Hz 100 l/min



**Art. 091-5099-070** Electric pump 115V 60Hz 70 l/min

**Art. 091-5101-100** Electric pump 115V 60Hz 100 l/min



**Art. 908-0516-040** Connection hose ø 20 mm M-M 1” 4 m lenght

**Art. 908-0616-040** Connection hose ø 25 mm M-M 1” 4 m lenght



**Art. 093-5210-000** Automatic nozzle PA60 Flow rate 70 l/min

**Art. 093-5220-000** Automatic nozzle PA120 Flow rate 120 l/min



**Art. 092-5103-000** Mechanical flow meter 3 digits F1” 120 l/min - 3C

**Art. 092-5104-000** Mechanical flow meter 4 digits F1” 120 l/min - 4C

### OPTIONAL:



**Art. 090-5072-000** Support column Cami-Dispenser





**Art. 094-5240-000** Water separating delivery filter for diesel 70 l/min

**Art. 094-5245-000** Water separating delivery filter for diesel 150 l/min

# DIESEL TRANSFER SYSTEM "Cami Dispenser"

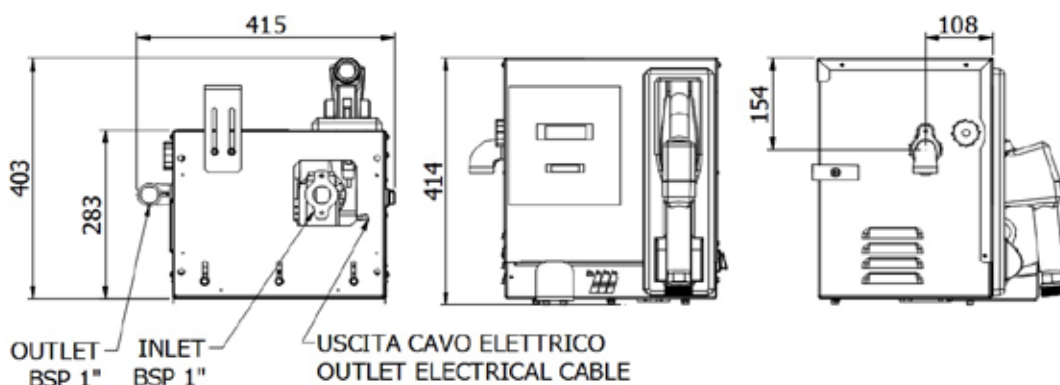


Ref.	Descrip.	Flow rate	Voltage	Power	Inlet-Outlet	Conn. hose	Nozzle	Flow meter	Duty cycle	Weight	Packaging
		l/min	AC V./Hz DC Volt	W	BSPG	Ø			min	Kg	mm

<b>090-5070-060</b>	Cami Dispenser	<b>60</b>	230/50	460	F1" - F1"	20	Aut.PA60	3C	Contin.	26,00	505X355X425
<b>090-5070-070</b>	Cami Dispenser	<b>70</b>	230/50	552	F1" - F1"	20	Aut.PA60	3C	Contin.	27,00	505X355X425
<b>090-5070-100</b>	Cami Dispenser	<b>100</b>	230/50	805	F1" - F1"	25	Aut.PA120	4C	Contin.	33,00	505X355X425

<b>090-5070-07X</b>	Cami Dispenser	<b>70</b>	115/60	575	F1" - F1"	20	Aut.PA60	3C	Contin.	27,00	505X355X425
<b>090-5070-10X</b>	Cami Dispenser	<b>100</b>	115/60	977	F1" - F1"	25	Aut.PA120	4C	Contin.	33,00	505X355X425

<b>090-5070-Y60</b>	Cami Dispenser	<b>60</b>	12	336	F1" - F1"	20	Aut.PA60	3C	40	26,00	505X355X425
<b>090-5070-Z60</b>	Cami Dispenser	<b>60</b>	24	432	F1" - F1"	20	Aut.PA60	3C	40	26,00	505X355X425



Diesel transfer system for private usage, it allows the quick and safe filling of vehicles, and permits to measure and record the dispensed quantities. It is equipped with nozzle holder, microswitch to turn the pump on/off, automatic nozzle with swiveling joint, and extractable hose support. The equipment can be fixed to the ground.

## “Cami Dispenser” series composed by:



**Art. 091-5081-060** 12V Pump - power cable (sec. 4 mmq, 4 m lenght) with pincers and fuse - 60 l/min

**Art. 091-5083-060** 24V Pump - power cable (sec. 4 mmq, 4 m lenght) with pincers and fuse - 60 l/min



**Art. 091-5095-060** Electric pump 230V 50Hz 60 l/min

**Art. 091-5098-070** Electric pump 230V 50Hz 70 l/min

**Art. 091-5100-100** Electric pump 230V 50Hz 100 l/min



**Art. 091-5099-070** Electric pump 115V 60Hz 70 l/min

**Art. 091-5101-100** Electric pump 115V 60Hz 100 l/min



**Art. 908-0516-040** Connection hose ø 20 mm M-M 1” 4 m lenght

**Art. 908-0616-040** Connection hose ø 25 mm M-M 1” 4 m lenght



**Art. 093-5210-000** Automatic nozzle PA60 Flow rate 70 l/min

**Art. 093-5220-000** Automatic nozzle PA120 Flow rate 120 l/min



**Art. 092-5103-000** Mechanical flow meter 3 digits F1” 120 l/min - 3C

**Art. 092-5104-000** Mechanical flow meter 4 digits F1” 120 l/min - 4C

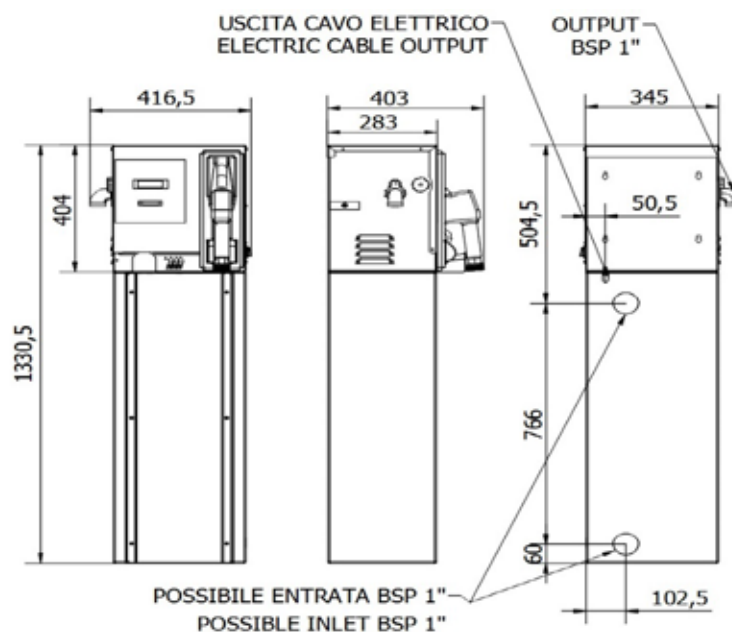


## OPTIONAL:

**Art. 094-5240-000** Water separating delivery filter for diesel 70 l/min

**Art. 094-5245-000** Water separating delivery filter for diesel 150 l/min

# DIESEL TRANSFER SYSTEM "Cami Dispenser"



Ref.	Descrip.	Flow rate l/min	Voltage AC V./Hz DC Volt	Power W	Inlet-Outlet BSPG	Conn. hose Ø	Nozzle	Flow meter	Duty cycle min	Weight Kg
------	----------	--------------------	--------------------------------	------------	----------------------	-----------------	--------	------------	-------------------	--------------

090-5072-060	Cami Dispenser	60	230/50	460	F1" - F1"	20	Aut.PA60	3C	Contin.	49,50
090-5072-070	Cami Dispenser	70	230/50	552	F1" - F1"	20	Aut.PA60	3C	Contin.	50,50
090-5072-100	Cami Dispenser	100	230/50	805	F1" - F1"	25	Aut.PA120	4C	Contin.	56,50

090-5072-07X	Cami Dispenser	70	115/60	575	F1" - F1"	20	Aut.PA60	3C	Contin.	50,50
090-5072-10X	Cami Dispenser	100	115/60	977	F1" - F1"	25	Aut.PA120	4C	Contin.	56,50

090-5072-Y60	Cami Dispenser	60	12	336	F1" - F1"	20	Aut.PA60	3C	40	49,50
090-5072-Z60	Cami Dispenser	60	24	432	F1" - F1"	20	Aut.PA60	3C	40	49,50

Ref.	Packaging (mm)	NR. of boxes
------	----------------	--------------

090-5072-060	505X355X425 - 365X305X945	2
090-5072-070	505X355X425 - 365X305X945	2
090-5072-100	505X355X425 - 365X305X945	2

090-5072-07X	505X355X425 - 365X305X945	2
090-5072-10X	505X355X425 - 365X305X945	2

Ref.	Packaging (mm)	NR. of boxes
------	----------------	--------------

090-5072-Y60	505X355X425 - 365X305X945	2
090-5072-Z60	505X355X425 - 365X305X945	2

Diesel transferring kit in solid structure for private use. It allows the quick and clean filling of the vehicles. It permits the following functions: the identification of the authorised users, the pre-selection of dispensed quantity, the detection of the total consumption and the single-user consumption, the storage of the deliveries and the management of 200 users. The system is equipped with key-manager to start the delivery quickly. The system includes the nozzle holder with microswitch to turn the pump on/off, automatic nozzle with swiveling joint and side hose holder. The equipment can be fixed to the wall, to a tank or to its own support column.

## “Electronic Cami Dispenser” series composed by:



**Art. 091-5095-060** Electric pump 230V 50Hz 60 l/min



**Art. 091-5098-070** Electric pump 230V 50Hz 70 l/min

**Art. 091-5100-100** Electric pump 230V 50Hz 100 l/min



**Art. 091-5099-070** Electric pump 115V 60Hz 70 l/min

**Art. 091-5101-100** Electric pump 115V 60Hz 100 l/min



**Art. 908-0516-040** Connection hose ø 20 mm M-M 1” 4 m lenght

**Art. 908-0616-040** Connection hose ø 25 mm M-M 1” 4 m lenght

**Art. 093-5210-000** Automatic nozzle PA60 Flow rate 70 l/min

**Art. 093-5220-000** Automatic nozzle PA120 Flow rate 120 l/min



**Art. 092-5200-230** Electronic control unit MecGest 110/230V 50Hz  
Software included



**Art. 092-5170-110** Mechanical flow meter with pulses MGI-110 - 5-110 l/min



**Art. 092-5220-000** Coded communication kit USB key reader for PC



**Art. 092-5300-000** Red Key - Manager - 1 piece

### OPTIONAL:



**Art. 092-5300-010** Kit Blue Keys - Users - 10 pieces



**Art. 090-5072-000** Base column Cami-Dispenser





**Art. 094-5240-000** Water separating delivery filter for diesel 70 l/min

**Art. 094-5245-000** Water separating delivery filter for diesel 150 l/min



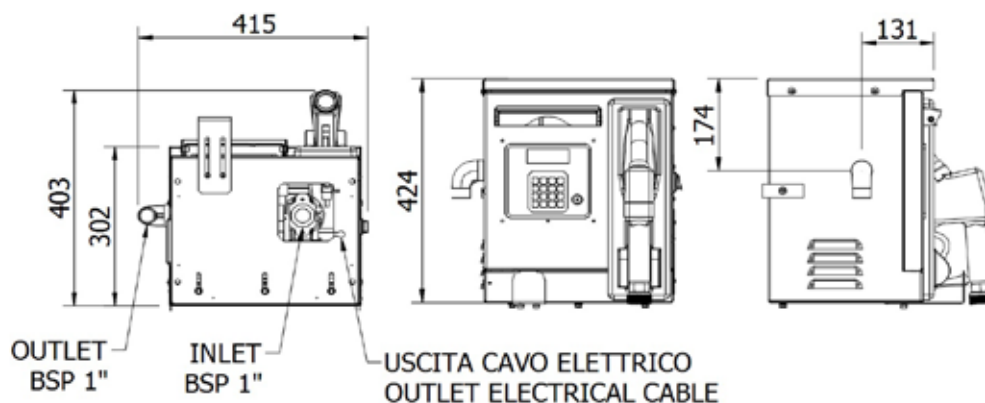
# DIESEL TRANSFER SYSTEM "Electronic Cami Dispenser"



Ref.	Descrip.	Flow rate	Voltage	Power	Inlet-Outlet	Conn. hose	Nozzle	Flow meter	Duty cycle	Weight	Packaging
		l/min	AC V./Hz DC Volt	W	BSPG	Ø			min	Kg	mm

<b>090-5074-060</b>	Cami Dispenser	<b>60</b>	230/50	460	F1" - F1"	20	Aut.PA60	MG110	Contin.	29,00	505X355X425
<b>090-5074-070</b>	Cami Dispenser	<b>70</b>	230/50	552	F1" - F1"	20	Aut.PA60	MG110	Contin.	30,00	505X355X425
<b>090-5074-100</b>	Cami Dispenser	<b>100</b>	230/50	805	F1" - F1"	25	Aut.PA120	MG110	Contin.	36,50	505X355X425

<b>090-5074-07X</b>	Cami Dispenser	<b>70</b>	115/60	575	F1" - F1"	20	Aut.PA60	MG110	Contin.	30,00	505X355X425
<b>090-5074-10X</b>	Cami Dispenser	<b>100</b>	115/60	977	F1" - F1"	25	Aut.PA120	MG110	Contin.	36,50	505X355X425



Diesel transferring kit in solid structure for private use. It allows the quick and clean filling of the vehicles. It permits the following functions: the identification of the authorised users, the pre-selection of dispensed quantity, the detection of the total consumption and the single-user consumption, the storage of the deliveries and the management of 200 users. The system is equipped with key-manager to start the delivery quickly. The system includes the nozzle holder with microswitch to turn the pump on/off, automatic nozzle with swiveling joint and side hose holder. The equipment can be fixed to the wall, to a tank or to its own column.

### “Electronic Cami Dispenser” series composed by:



- Art. 091-5095-060 Electric pump 230V 50Hz 60 l/min
- Art. 091-5098-070 Electric pump 230V 50Hz 70 l/min
- Art. 091-5100-100 Electric pump 230V 50Hz 100 l/min



- Art. 091-5099-070 Electric pump 115V 60Hz 70 l/min
- Art. 091-5101-100 Electric pump 115V 60Hz 100 l/min



- Art. 908-0516-040 Connection hose  $\varnothing$  20 mm M-M 1" 4 m length
- Art. 908-0616-040 Connection hose  $\varnothing$  25 mm M-M 1" 4 m length



- Art. 093-5210-000 Automatic nozzle PA60 Flow rate 70 l/min
- Art. 093-5220-000 Automatic nozzle PA120 Flow rate 120 l/min



- Art. 092-5200-230 Electronic control unit MecGest 110/230V 50Hz  
Software included



- Art. 092-5170-110 Mechanical pulsed flow meter MGI-110 - 5-110 l/min



- Art. 092-5220-000 Coded communication kit USB key reader for PC



- Art. 092-5300-000 Red Key- Manager - nr. 1 pc

### OPTIONAL:

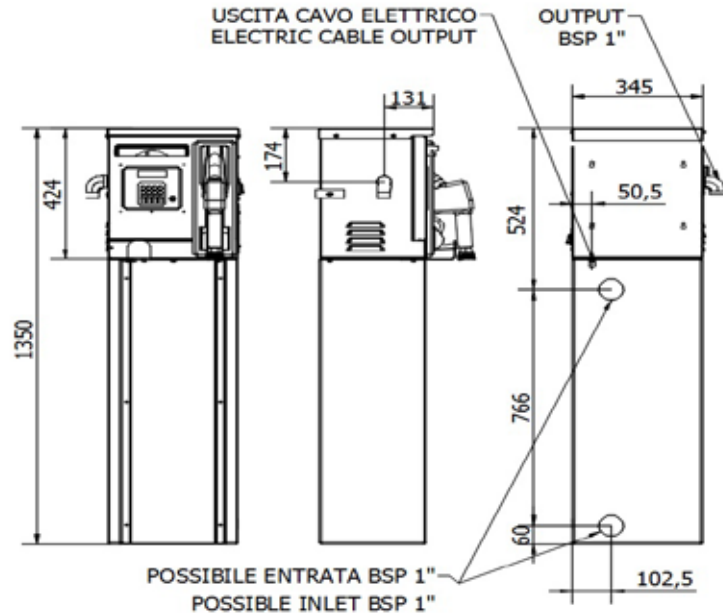




- Art. 092-5300-010 Kit blue keys - Users - nr. 10 pcs.



- Art. 094-5240-000 Water separating delivery filter for diesel 70 l/min
- Art. 094-5245-000 Water separating delivery filter for diesel 150 l/min

# DIESEL TRANSFER SYSTEM "Electronic Cami Dispenser"



Ref.	Descrip.	Voltage	Flow rate	Power	Inlet-outlet	Conn. hose	Nozzle	Flow meter	Duty cycle	Weight
		l/min	AC V./Hz DC Volt	W	BSPG	Ø			min	Kg

<b>090-5075-060</b>	Cami Dispenser	<b>60</b>	230/50	460	F1" - F1"	20	Aut.PA60	MGI110	Contin.	52,50
<b>090-5075-070</b>	Cami Dispenser	<b>70</b>	230/50	552	F1" - F1"	20	Aut.PA60	MGI110	Contin.	53,50
<b>090-5075-100</b>	Cami Dispenser	<b>100</b>	230/50	805	F1" - F1"	25	Aut.PA120	MGI110	Contin.	60,00

<b>090-5075-07X</b>	Cami Dispenser	<b>70</b>	115/60	575	F1" - F1"	20	Aut.PA60	MGI110	Contin.	53,50
<b>090-5075-10X</b>	Cami Dispenser	<b>100</b>	115/60	977	F1" - F1"	25	Aut.PA120	MGI110	Contin.	60,00

Ref.	Packaging (mm)	NR. of boxes
------	----------------	--------------

<b>090-5075-060</b>	505X355X425 - 365X305X945	2
<b>090-5075-070</b>	505X355X425 - 365X305X945	2
<b>090-5075-100</b>	505X355X425 - 365X305X945	2

<b>090-5075-07X</b>	505X355X425 - 365X305X945	2
<b>090-5075-10X</b>	505X355X425 - 365X305X945	2

Diesel transferring kit for private use. It allows the quick and safe filling of the vehicles. It also permits to measure and record the dispensed quantities. It permits the following functions: the preselection of the dispatched quantity, to see the total dispensed and each single dispense, to memorize the dispatches. The systems comes with a Lan Connection that enables the constant communication with the software, the reception of the type of configuration from remote and the report sending of the dispenses, MecGest can manage up to 200 users. The system is equipped with user-key and manager-key, to quickly start the dispatch. It is equipped with nozzle holder, microswitch to turn the pump on/off, automatic nozzle with swiveling joint, and extractable hose support. The equipment can be fixed to the wall, to a tank or to its own column.

### “Electronic Cami Dispenser LC” series composed by:



**Art. 091-5095-060** Electric pump 230V 50Hz 60 l/min

**Art. 091-5098-070** Electric pump 230V 50Hz 70 l/min

**Art. 091-5100-100** Electric pump 230V 50Hz 100 l/min



**Art. 091-5099-070** Electric pump 115V 60Hz 70 l/min

**Art. 091-5101-100** Electric pump 115V 60Hz 100 l/min



**Art. 908-0516-040** Connection hose ø 20 mm M-M 1” 4 m lenght

**Art. 908-0616-040** Connection hose ø 25 mm M-M 1” 4 m lenght



**Art. 093-5210-000** Automatic nozzle PA60 Flow rate 70 l/min

**Art. 093-5220-000** Automatic nozzle PA120 Flow rate 120 l/min



**Art. 092-5200-230** Electronic control unit MecGest 110/230V 50Hz  
Software included



**Art. 092-5170-110** Mechanical pulsed flow meter MGI-110 - 5-110 l/min



**Art. 092-5350-001** Coded Kit Lan Connection USB-RS485

### OPTIONAL:



**Art. 092-5300-010** Kit blue keys - Users - nr. 10 pcs



**Art. 092-5220-000** Coded communication kit USB key reader for PC



**Art. 090-5072-000** Base Column Cami-Dispenser





**Art. 094-5240-000** Water separating delivery filter for diesel 70 l/min

**Art. 094-5245-000** Water separating delivery filter for diesel 150 l/min

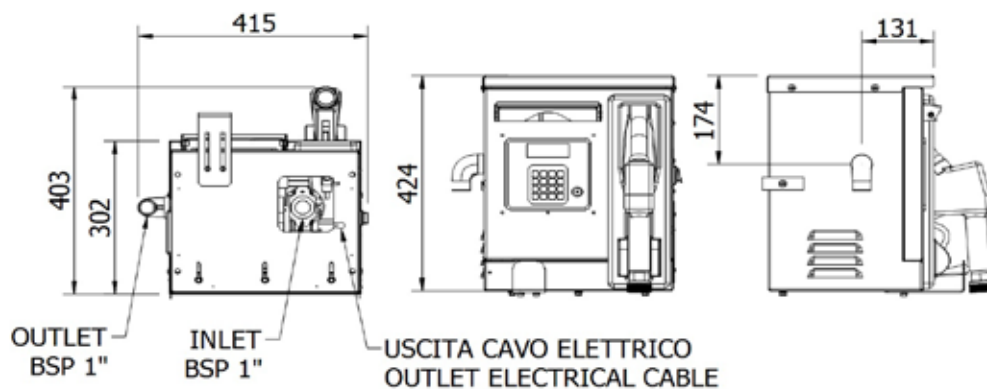
# DIESEL TRANSFER SYSTEM "Electronic Cami Dispenser LC"



Ref.	Descrip.	Flow rate	Voltage	Power	Inlet-Outlet	Conn. hose	Nozzle	Flow meter	Duty cycle	Weight	Packaging
		l/min	AC V./Hz DC Volt	W	BSPG	Ø			min	Kg	mm

<b>090-5076-060</b>	Cami Dispenser	<b>60</b>	230/50	460	F1" - F1"	20	Aut.PA60	MGI110	Contin.	29,00	505X355X425
<b>090-5076-070</b>	Cami Dispenser	<b>70</b>	230/50	552	F1" - F1"	20	Aut.PA60	MGI110	Contin.	30,00	505X355X425
<b>090-5076-100</b>	Cami Dispenser	<b>100</b>	230/50	805	F1" - F1"	25	Aut.PA120	MGI110	Contin.	36,50	505X355X425

<b>090-5076-07X</b>	Cami Dispenser	<b>70</b>	115/60	575	F1" - F1"	20	Aut.PA60	MGI110	Contin.	30,00	505X355X425
<b>090-5076-10X</b>	Cami Dispenser	<b>100</b>	115/60	977	F1" - F1"	25	Aut.PA120	MGI110	Contin.	36,50	505X355X425



Diesel transferring kit for private use. It allows the quick and safe filling of the vehicles. It allows the quick and safe filling of the vehicles. It permits the following functions: the preselection of the dispatched quantity, to see the total dispensed and each single dispense, to memorize the dispatches. The systems comes with a Lan Connection that enables the constant communication with the software, the reception of the type of configuration from remote and the report sending of the dispenses, MecGest can manage up to 200 users. It is equipped with nozzle holder, microswitch to turn the pump on/off, automatic nozzle with swiveling joint, and extractable hose support. The equipment can be fixed to the ground.

## “Electronic Cami Dispenser LC” series composed by:



- Art. 091-5095-060 Electric pump 230V 50Hz 60 l/min
- Art. 091-5098-070 Electric pump 230V 50Hz 70 l/min
- Art. 091-5100-100 Electric pump 230V 50Hz 100 l/min



- Art. 091-5099-070 Electric pump 115V 60Hz 70 l/min
- Art. 091-5101-100 Electric pump 115V 60Hz 100 l/min



- Art. 908-0516-040 Connection hose ø 20 mm M-M 1” 4 m lenght
- Art. 908-0616-040 Connection hose ø 25 mm M-M 1” 4 m lenght



- Art. 093-5210-000 Automatic nozzle PA60 Flow rate 70 l/min
- Art. 093-5220-000 Automatic nozzle PA120 Flow rate 120 l/min



- Art. 092-5200-230 Electronic control unit MecGest 110/230V 50Hz  
Software included



- Art. 092-5170-110 Mechanical pulsed flow meter MGI-110 - 5-110 l/min



- Art. 092-5350-001 Coded Kit Lan Connection USB-RS485

### OPTIONAL:



- Art. 092-5300-010 Kit blue keys - Users - nr. 10 pcs

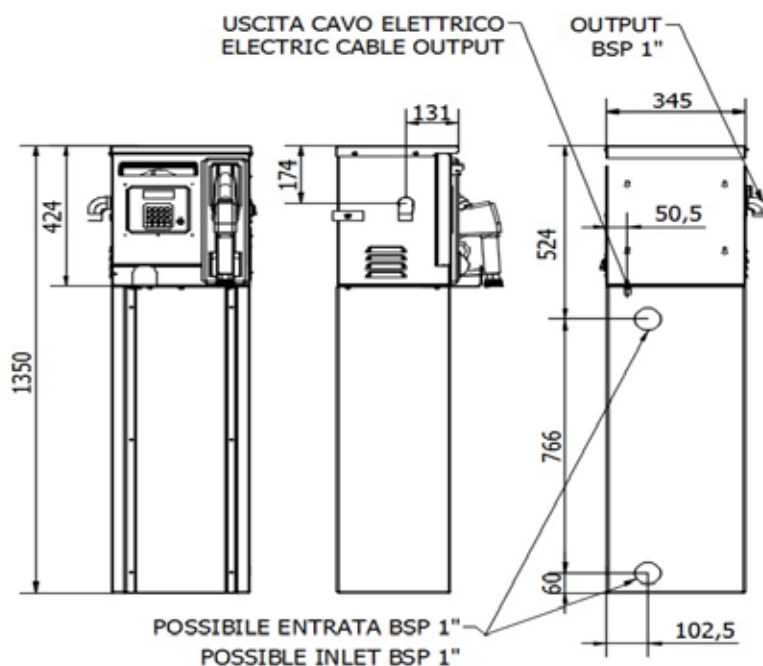




- Art. 092-5220-000 Coded communication kit USB key reader for PC



- Art. 094-5240-000 Water separating delivery filter for diesel 70 l/min
- Art. 094-5245-000 Water separating delivery filter for diesel 150 l/min

# DIESEL TRANSFER SYSTEM "Electronic Cami Dispenser LC"



Ref.	Descrip.	Flow rate	Voltage	Power	Inlet-outlet	Conn. hose	Nozzle	Flow meter	Duty cycle	Weight
		l/min	AC V./Hz DC Volt	W	BSPG	Ø			min	Kg

<b>090-5077-060</b>	Cami Dispenser	<b>60</b>	230/50	460	F1" - F1"	20	Aut.PA60	MG1110	Contin.	52,50
<b>090-5077-070</b>	Cami Dispenser	<b>70</b>	230/50	552	F1" - F1"	20	Aut.PA60	MG1110	Contin.	53,50
<b>090-5077-100</b>	Cami Dispenser	<b>100</b>	230/50	805	F1" - F1"	25	Aut.PA120	MG1110	Contin.	60,00

<b>090-5077-07X</b>	Cami Dispenser	<b>70</b>	115/60	575	F1" - F1"	20	Aut.PA60	MG1110	Contin.	53,50
<b>090-5077-10X</b>	Cami Dispenser	<b>100</b>	115/60	977	F1" - F1"	25	Aut.PA120	MG1110	Contin.	60,00

Ref.	Packaging (mm)	NR. of boxes
------	----------------	--------------

<b>090-5077-060</b>	505X355X425 - 365X305X945	2
<b>090-5077-070</b>	505X355X425 - 365X305X945	2
<b>090-5077-100</b>	505X355X425 - 365X305X945	2

<b>090-5077-07X</b>	505X355X425 - 365X305X945	2
<b>090-5077-10X</b>	505X355X425 - 365X305X945	2

## DIESEL TRANSFER SYSTEM “Gaia Service”

Diesel transferring kit in solid structure for private use. It allows the quick and clean filling of the vehicles. It is equipped with automatic nozzle with swiveling joint, water filter absorption able to dispense the product free from impurities, microswitch to turn the pump on/off and side hose holder. Removable frontal panel for easy maintenance. The equipment can be fixed to the ground.

### “Gaia Service” series composed by:



**Art. 091-5098-070** Electric pump 230V 50Hz 70 l/min  
**Art. 091-5100-100** Electric pump 230V 50Hz 100 l/min



**Art. 091-5099-070** Electric pump 115V 60Hz 70 l/min  
**Art. 091-5101-100** Electric pump 115V 60Hz 100 l/min



**Art. 908-0516-040** Connection hose  $\varnothing$  20 mm M-M 1” 4 m lenght  
**Art. 908-0616-040** Connection hose  $\varnothing$  25 mm M-M 1” 4 m lenght



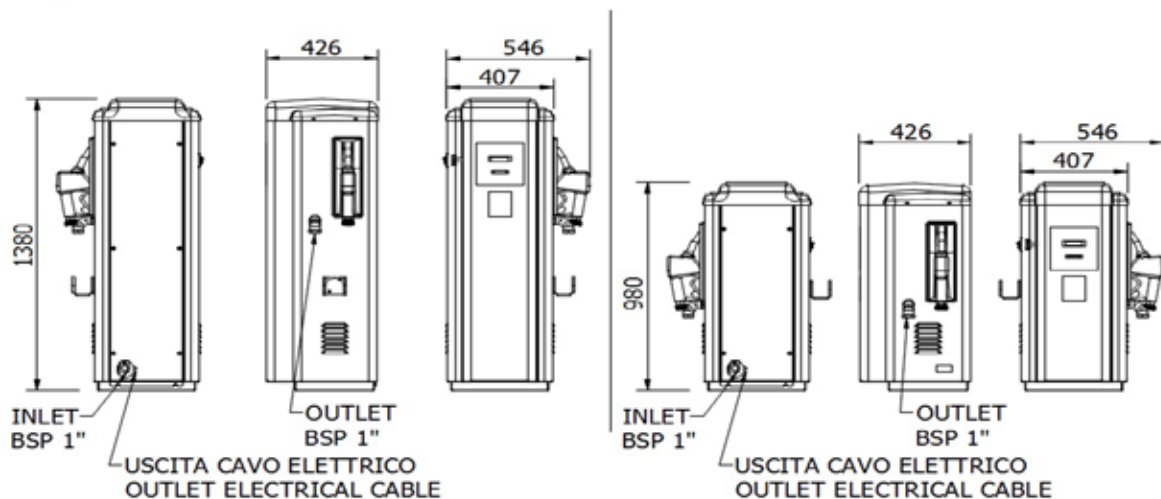
**Art. 093-5210-000** Automatic nozzle PA60 Flow rate 70 l/min  
**Art. 093-5220-000** Automatic nozzle PA120 Flow rate 120 l/min



**Art. 092-5104-000** Mechanical flow meter 4 digits F1” 120 l/min



**Art. 094-5240-000** Water separating delivery filter for diesel 70 l/min  
**Art. 094-5245-000** Water separating delivery filter for diesel 150 l/min



H. 1380 mm

H.980 mm - Tank





# DIESEL TRANSFER SYSTEM "Gaia Service"



H. 1380 mm



H.980 mm - Tank

Ref.	Descrip.	Flow rate	Voltage	Power	Inlet-outlet	Conn. hose	Nozzle	Flow meter/Filter	Duty cycle	Weight
		l/min	AC V./Hz DC Volt	W	BSPG	Ø			min	Kg

## H. 1380 mm

<b>090-5080-070</b>	Gaia Service	<b>70</b>	230/50	552	F1" - F1"	20	Aut.PA60	YES 4C	Contin.	69,00
<b>090-5080-100</b>	Gaia Service	<b>100</b>	230/50	805	F1" - F1"	25	Aut.PA120	YES 4C	Contin.	76,00
<b>090-5080-07X</b>	Gaia Service	<b>70</b>	115/60	575	F1" - F1"	20	Aut.PA60	YES 4C	Contin.	69,00
<b>090-5080-10X</b>	Gaia Service	<b>100</b>	115/60	977	F1" - F1"	25	Aut.PA120	YES 4C	Contin.	76,00

## H. 980 mm Suitable for fastening to tank

<b>090-5081-070</b>	Gaia "Tank"	<b>70</b>	230/50	552	F1" - F1"	20	Aut.PA60	YES 4C	Contin.	61,00
<b>090-5081-100</b>	Gaia "Tank"	<b>100</b>	230/50	805	F1" - F1"	25	Aut.PA120	YES 4C	Contin.	68,00
<b>090-5081-07X</b>	Gaia "Tank"	<b>70</b>	115/60	575	F1" - F1"	20	Aut.PA60	YES 4C	Contin.	61,00
<b>090-5081-10X</b>	Gaia "Tank"	<b>100</b>	115/60	977	F1" - F1"	25	Aut.PA120	YES 4C	Contin.	68,00

Ref.	Packaging (mm)	NR. of boxes
------	----------------	--------------

<b>090-5080-070</b>	530X490X1410	1
<b>090-5080-100</b>	530X490X1410	1

<b>090-5080-07X</b>	530X490X1410	1
<b>090-5080-10X</b>	530X490X1410	1

Ref.	Packaging (mm)	NR. of boxes
------	----------------	--------------

<b>090-5081-070</b>	530X490X1010	1
<b>090-5081-100</b>	530X490X1010	1

<b>090-5081-07X</b>	530X490X1010	1
<b>090-5081-10X</b>	530X490X1010	1

Diesel transferring kit in solid structure for private use. It allows the quick and clean filling of the vehicles. It permits the following functions: the identification of the authorised users, the pre-selection of dispensed quantity, the detection of the total consumption and the single-user consumption, the storage of the deliveries and the management of 200 users. The system is equipped with key-manager to start the delivery quickly. The system includes the nozzle holder with microswitch to turn the pump on/off, automatic nozzle with swiveling joint and side hose holder.

### “Electronic Gaia Service” series composed by:



- Art. 091-5098-070 Electric pump 230V 50Hz 70 l/min
- Art. 091-5100-100 Electric pump 230V 50Hz 100 l/min



- Art. 091-5099-070 Electric pump 115V 60Hz 70 l/min
- Art. 091-5101-100 Electric pump 115V 60Hz 100 l/min



- Art. 908-0516-040 Connection hose  $\varnothing$  20 mm M-M 1" 4 m lenght
- Art. 908-0616-040 Connection hose  $\varnothing$  25 mm M-M 1" 4 m lenght



- Art. 093-5210-000 Automatic nozzle PA60 Flow rate 70 l/min
- Art. 093-5220-000 Automatic nozzle PA120 Flow rate 120 l/min



- Art. 092-5200-230 Electronic control unit MecGest 110/230V 50Hz  
Software included



- Art. 092-5170-110 Mechanical pulsed flow meter MGI-110 - 5-110 l/min



- Art. 094-5240-000 Water separating delivery filter for diesel 70 l/min
- Art. 094-5245-000 Water separating delivery filter for diesel 150 l/min



- Art. 092-5220-000 Coded communication kit USB key reader for PC



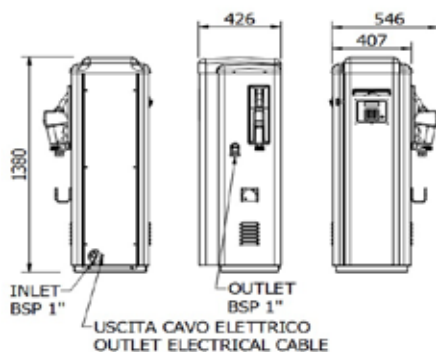
- Art. 092-5300-000 Red Key- Manager - nr. 1 pc.

### OPTIONAL:

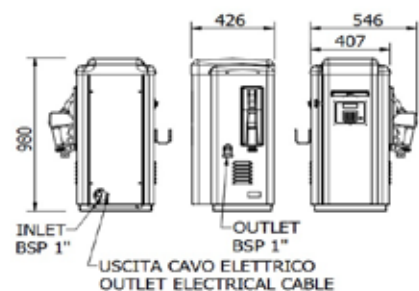


- Art. 092-5300-010 Kit blue keys - Users - nr. 10 pcs

H. 1380 mm



H.980 mm - Tank





# DIESEL TRANSFER SYSTEM "Electronic Gaia Service"



H. 1380 mm



H.980 mm - Tank

Ref.	Descrip.	Flow rate	Voltage	Power	Inlet-outlet	Conn. hose	Nozzle	Flow meter/Filter	Duty cycle	Weight
		l/min	AC V./Hz DC Volt	W	BSPG	Ø			min	Kg

**H. 1380 mm**

<b>090-5084-070</b>	Gaia Service	<b>70</b>	230/50	552	F1" - F1"	20	Aut.PA60	YES	Contin.	69,00
<b>090-5084-100</b>	Gaia Service	<b>100</b>	230/50	805	F1" - F1"	25	Aut.PA120	YES	Contin.	76,00

<b>090-5084-07X</b>	Gaia Service	<b>70</b>	115/60	575	F1" - F1"	20	Aut.PA60	YES	Contin.	69,00
<b>090-5084-10X</b>	Gaia Service	<b>100</b>	115/60	977	F1" - F1"	25	Aut.PA120	YES	Contin.	76,00

**H. 980 mm Suitable for fastening to tank**

<b>090-5085-070</b>	Gaia "Tank"	<b>70</b>	230/50	552	F1" - F1"	20	Aut.PA60	YES	Contin.	61,00
<b>090-5085-100</b>	Gaia "Tank"	<b>100</b>	230/50	805	F1" - F1"	25	Aut.PA120	YES	Contin.	68,00

<b>090-5085-07X</b>	Gaia "Tank"	<b>70</b>	115/60	575	F1" - F1"	20	Aut.PA60	YES	Contin.	61,00
<b>090-5085-10X</b>	Gaia "Tank"	<b>100</b>	115/60	977	F1" - F1"	25	Aut.PA120	YES	Contin.	68,00

Ref.	Packaging (mm)	NR. of boxes
------	----------------	--------------

<b>090-5084-070</b>	530X490X1410	1
<b>090-5084-100</b>	530X490X1410	1

<b>090-5084-07X</b>	530X490X1410	1
<b>090-5084-10X</b>	530X490X1410	1

Ref.	Packaging (mm)	NR. of boxes
------	----------------	--------------

<b>090-5085-070</b>	530X490X1010	1
<b>090-5085-100</b>	530X490X1010	1

<b>090-5085-07X</b>	530X490X1010	1
<b>090-5085-10X</b>	530X490X1010	1

Diesel transferring kit in solid structure for private use. It allows the quick and clean filling of the vehicles. It also permits to measure and record the dispensed quantities. It permits the following functions: the pre-selection of the dispatched quantity, to see the total dispensed and each single dispense, to memorize the dispatches. The systems comes with a Lan Connection that enables the constant communication with the software, the reception of the type of configuration from remote and the report sending of the dispenses, MecGest can manage up to 200 users. The system includes the nozzle holder with microswitch to turn the pump on/off, automatic nozzle with swiveling joint and hose holder.

### “Electronic Gaia Service LC” series composed by:



- Art. 091-5098-070 Electric pump 230V 50Hz 70 l/min
- Art. 091-5100-100 Electric pump 230V 50Hz 100 l/min



- Art. 091-5099-070 Electric pump 115V 60Hz 70 l/min
- Art. 091-5101-100 Electric pump 115V 60Hz 100 l/min



- Art. 908-0516-040 Connection hose  $\varnothing$  20 mm M-M 1” 4 m lenght
- Art. 908-0616-040 Connection hose  $\varnothing$  25 mm M-M 1” 4 m lenght



- Art. 093-5210-000 Automatic nozzle PA60 Flow rate 70 l/min
- Art. 093-5220-000 Automatic nozzle PA120 Flow rate 120 l/min



- Art. 092-5200-230 Electronic control unit MecGest 110/230V 50Hz  
Software included



- Art. 092-5170-110 Mechanical pulsed flow meter MGI-110 - 5-110 l/min



- Art. 094-5240-000 Water separating delivery filter for diesel 70 l/min
- Art. 094-5245-000 Water separating delivery filter for diesel 150 l/min



- Art. 092-5350-001 Coded Kit Lan Connection USB-RS485

### OPTIONAL:

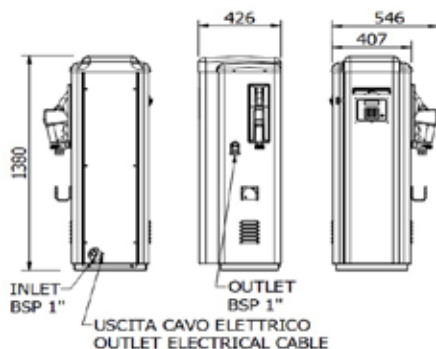


- Art. 092-5300-010 Kit blue keys - Users - nr. 10 pcs



- Art. 092-5220-000 Coded communication kit USB key reader for PC

H. 1380 mm



H.980 mm - Tank





# DIESEL TRANSFER SYSTEM "Electronic Gaia Service LC"



H. 1380 mm



H.980 mm - Tank

Ref.	Descrip.	Flow rate	Voltage	Power	Inlet-outlet	Conn. hose	Nozzle	Flow meter/Filter	Duty cycle	Weight
		l/min	AC V./Hz DC Volt	W	BSPG	Ø			min	Kg

## H. 1380 mm

<b>090-5086-070</b>	Gaia Service	<b>70</b>	230/50	552	F1" - F1"	20	Aut.PA60	YES	Contin.	69,00
<b>090-5086-100</b>	Gaia Service	<b>100</b>	230/50	805	F1" - F1"	25	Aut.PA120	YES	Contin.	76,00

<b>090-5086-07X</b>	Gaia Service	<b>70</b>	115/60	575	F1" - F1"	20	Aut.PA60	YES	Contin.	69,00
<b>090-5086-10X</b>	Gaia Service	<b>100</b>	115/60	977	F1" - F1"	25	Aut.PA120	YES	Contin.	76,00

## H. 980 mm Suitable for fastening to tank

<b>090-5087-070</b>	Gaia "Tank"	<b>70</b>	230/50	552	F1" - F1"	20	Aut.PA60	YES	Contin.	61,00
<b>090-5087-100</b>	Gaia "Tank"	<b>100</b>	230/50	805	F1" - F1"	25	Aut.PA120	YES	Contin.	68,00

<b>090-5087-07X</b>	Gaia "Tank"	<b>70</b>	115/60	575	F1" - F1"	20	Aut.PA60	YES	Contin.	61,00
<b>090-5087-10X</b>	Gaia "Tank"	<b>100</b>	115/60	977	F1" - F1"	25	Aut.PA120	YES	Contin.	68,00

Ref.	Packaging (mm)	NR. of boxes
------	----------------	--------------

<b>090-5086-070</b>	530X490X1410	1
<b>090-5086-100</b>	530X490X1410	1

<b>090-5086-07X</b>	530X490X1410	1
<b>090-5086-10X</b>	530X490X1410	1

Ref.	Packaging (mm)	NR. of boxes
------	----------------	--------------

<b>090-5087-070</b>	530X490X1010	1
<b>090-5087-100</b>	530X490X1010	1

<b>090-5087-07X</b>	530X490X1010	1
<b>090-5087-10X</b>	530X490X1010	1

Electronic control unit to manage the diesel transfer for private usage. It allows the measurement and record of the dispatched quantities and the following functions: identification of authorized vehicles, preselection of quantity to dispatch, it detects the total dispense and the single ones, it allows the memorization of the dispenses and it can handle 200 users. The system comes with a manager-key or Lan connection. The system can be completed with electric pump, nozzle holder with microswitch for switching on and off the pump, mechanical pulsed flow meter. The equipment is designed to be fixed to the wall or to tanks.

### “MecGest Box” series composed by:



**Art. 092-5200-230** Electronic control unit MecGest 110/230V 50Hz complete with software



**Art. 092-5220-000** Communication kit USB keys reader for codified PC



**Art. 092-5300-000** Red Key- Manager - 1 piece



**Art. 092-5350-000** Codified Kit Lan Connection USB - RS485

### OPTIONAL:



**Art. 092-5300-010** Kit blue keys - Users - 10 pcs



**Art. 091-5095-060** Electric pump 230V 50Hz 60 l / min

**Art. 091-5098-070** Electric pump 230V 50Hz 70 l / min

**Art. 091-5100-100** Electric pump 230V 50Hz 100 l / min



**Art. 091-5099-070** Electric pump 115V 60Hz 70 l / min

**Art. 091-5101-100** Electric pump 115V 60Hz 100 l / min



**Art. 092-5170-110** Mechanical pulsed flow meter MGI-110 - 5-110 l/min



**Art. F90-9910-000** Aluminium nozzle holder with micro



**Art. 092-5402-100** Signal cable 2 poles l. 100 m shielded

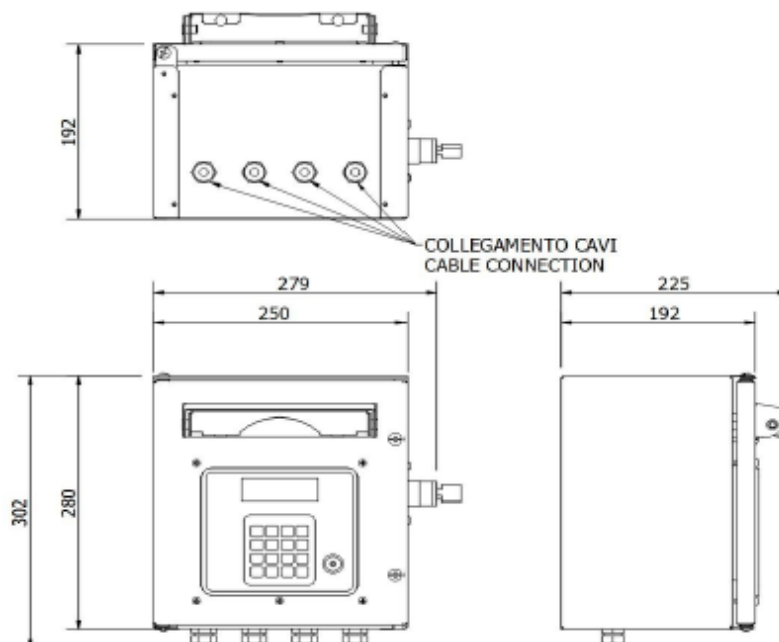
# ELECTRONIC CONTROL UNIT "MecGesrt Box"



Ref.	Description	Voltage	Communication kit USB keys reader for codified PC	Lan Connection kit USB - R	Weight	Packaging
		AC V./Hz DC Volt			kg	mm

<b>092-5510-000</b>	MecGesrt Box	230/50 - 115/60	YES	NO	6,50	285X285X230
---------------------	--------------	-----------------	-----	----	------	-------------

<b>092-5520-000</b>	MecGesrt Box LC	230/50 - 115/60	NO	YES	6,50	285X285X230
---------------------	-----------------	-----------------	----	-----	------	-------------



Electronic control unit that allows the refuelling of groups of vehicles. It offers the possibility to register the diesel supplies information and categorize them by user, vehicle, date and time. The equipment has to be used for private usage.

## MecGest CONFIGURATION OPTIONS:



Art. 092-5200-230

### OPTION 1



Art. 092-5220-000 + 092-5300-000

### OPTION 3 = OPTION 2 + OPTIONAL



Art. 092-5350-001 + 092-5220-000 + 092-5300-010



Art. 092-5300-010

### OPTION 2



Art. 092-5350-001

### OPTIONAL:



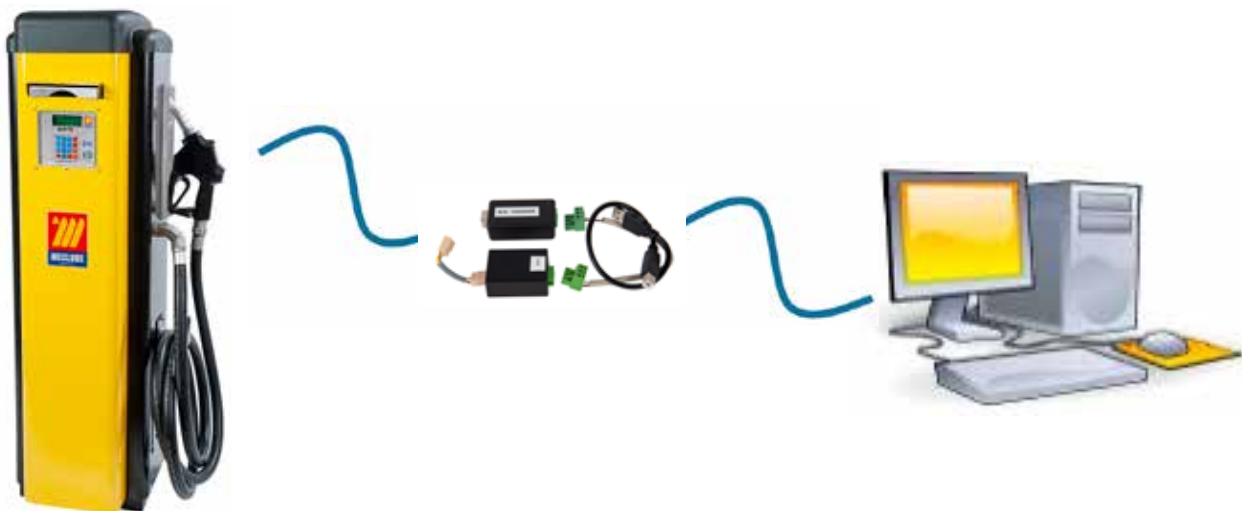
Art. 092-5300-010 + 092-5220-000



**OPTION 1/ COMMUNICATION KIT WITH MEMORY-KEY:** Red key and its reader: through this option it is possible to download the data of the diesel supplies and activate new user-codes. This procedure is done through the use of the red key and its own reader that have to be used with the PC and our software MecGest. The identification of the users and of the vehicles to enable the diesel supplies is made through the PIN code.



**OPTION 2/ CABLE COMMUNICATION KIT:** LAN connection cable for the direct connection with the PC and MecGest software. Also in this case it is possible to download the data of the diesel supplies and activate new user-codes with direct cable connection. The identification of the users and of the vehicles to enable the diesel supplies is made through the PIN code.



**OPTION 3/ CABLE COMMUNICATION KIT + KEY READER + PACK 10 IDENTIFICATION KEYS:** Converter and LAN connection cable for the direct connection to the PC and to MecGest software, and key reader with identification keys. Additionally, compared to previous options, it is possible to configurate the blue keys for users/vehicles in order to enable the diesel supplies. The diesel supply through PIN code is still available and the download of supply data or the activation of new keys or PIN are possible through LAN cable.

**MINIMUM SYSTEM REQUISITES FOR MEC-GEST SOFTWARE:** Operating system Microsoft Windows XP, 7, 8, 10 or superior, free USB port.

Rigid polyethylene tank for diesel transport for private use in total exemption for ADR (see ADR Regulation at page 180), with built-in transfer unit consisting of rotary vane self-priming pump available in various voltages (12-24V), delivery hose  $\varnothing$  20 mm, 4 m length, automatic nozzle with swiveling joint. The system is available at 220 liters capacity, can be integrated with flow meter for measuring diesel. Equipped with pressurizing/depressurizing relief valve and lockable lid.

### “Diesel Tank” series composed by:



**Art. 090-6220-000** Only 220 l Tank



**Art. 091-5081-045** Pump 12V - power cable (sec. 4 mmq, 4 m length) with pincers and fuse - 45 l/min

**Art. 091-5083-045** 24V Pump - power cable (sec. 4 mmq, 4 m length) with pincers and fuse - 45 l/min



**Art. 908-0516-040** Connection hose  $\varnothing$  20 mm M-M 1" 4 m length





**Art. 093-5210-000** Automatic nozzle PA60 Flow rate 70 l/min



**Art. 092-5124-000** Digital turbine flow meter MEC 24 min/max flow rate 7/120 l/min

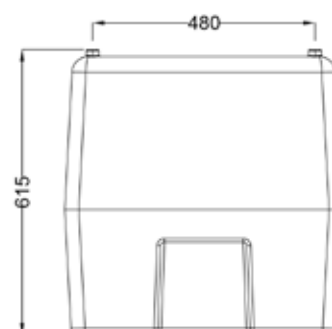
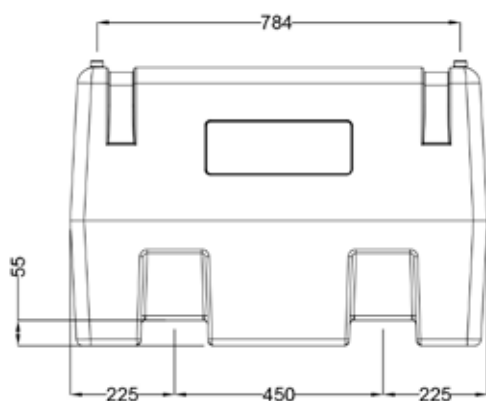
# DIESEL TANK 220



Ref.	Descrip.	Flow rate l/min	Voltage AC V./Hz DC Volt	Power W	Inlet-outlet BSPG	Conn. hose Ø	Nozzle 	Flow meter 	Duty cycle min	Weight Kg	Packaging mm
------	----------	--------------------	--------------------------------	------------	----------------------	-----------------	--	---	-------------------	--------------	-----------------

<b>090-6220-012</b>	Tank 220 I	<b>45</b>	12	264	F1" - F1"	20	Aut.PA60	NO	40	25,00	600X910X665
<b>090-6220-024</b>	Tank 220 I	<b>45</b>	24	312	F1" - F1"	20	Aut.PA60	NO	40	25,00	600X910X665

<b>090-6221-012</b>	Tank 220 I	<b>45</b>	12	264	F1" - F1"	20	Aut.PA60	YES	40	25,30	600X910X665
<b>090-6221-024</b>	Tank 220 I	<b>45</b>	24	312	F1" - F1"	20	Aut.PA60	YES	40	25,30	600X910X665



Rigid polyethylene tank for diesel transport for personal use in total exemption for ADR (see ADR Regulation at page 180), with built-in transfer unit consisting of rotary vane self-priming pump available in various voltages (12-24V), delivery hose  $\varnothing$  20 mm, 4 m length, automatic nozzle with swiveling joint. The system is available at 330 liters capacity, can be integrated with flow meter for measuring diesel and level probe. Equipped with pressurizing/depressurizing relief valve and lockable lid.

### “Diesel Tank” series composed by:



**Art. 090-6330-000** Only 330 I Tank



**Art. 091-5081-045** 12V Pump - power cable (sec. 4 mmq, 4 m length) with pincers and fuse - 45 l/min

**Art. 091-5083-045** 24V Pump - power cable (sec. 4 mmq, 4 m length) with pincers and fuse - 45 l/min



**Art. 908-0516-040** Connection hose  $\varnothing$  20 mm M-M 1" 4 m length



**Art. 093-5210-000** Automatic nozzle PA60 Flow rate 70 l/min





**Art. 092-5124-000** Digital turbine flow meter MEC 24 min/max flow rate 7/120 l/min



**Art. 092-6000-220** Probe for tank 330 I - 440 I

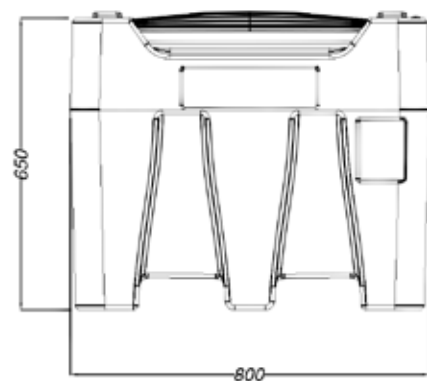
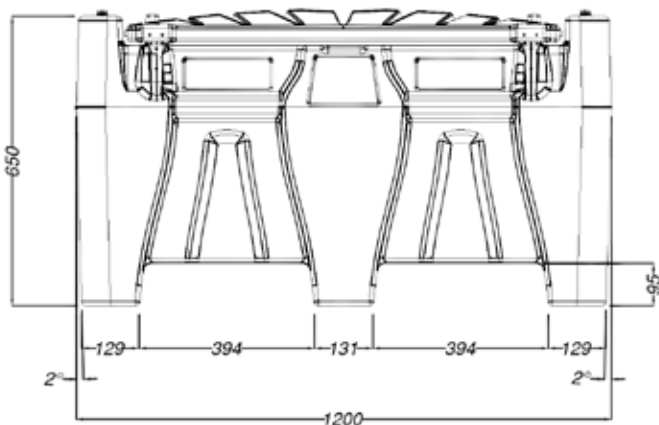
# DIESEL TANK 330



Ref.	Descrip.	Flow rate	Voltage	Power	Inlet-outlet	Conn. hose	Nozzle	Flow meter	Duty cycle	Weight	Packaging
		l/min	AC V./Hz DC Volt	W	BSPG	Ø			min	Kg	mm

<b>090-6330-012</b>	Tank 330 I	<b>45</b>	12	264	F1" - F1"	20	Aut.PA60	NO	40	44,00	1200x800x650
<b>090-6330-024</b>	Tank 330 I	<b>45</b>	24	312	F1" - F1"	20	Aut.PA60	NO	40	44,00	1200x800x650

<b>090-6331-012</b>	Tank 330 I	<b>45</b>	12	264	F1" - F1"	20	Aut.PA60	YES	40	44,30	1200x800x650
<b>090-6331-024</b>	Tank 330 I	<b>45</b>	24	312	F1" - F1"	20	Aut.PA60	YES	40	44,30	1200x800x650



Rigid polyethylene tank for diesel transport for private use in total exemption for ADR (see ADR Regulation at page 180), with built-in transfer unit consisting of rotary vane self-priming pump available in various voltages (12-24V), delivery hose  $\varnothing$  20 mm, 4 m length, automatic nozzle with swiveling joint. The system is available at 440 liters capacity, can be integrated with flow meter for measuring diesel and level probe. Equipped with pressurizing/depressurizing relief valve and lockable lid.

### “Diesel Tank” series composed by:



**Art. 090-6440-000** Only 440 I Tank



**Art. 091-5081-045** 12V Pump - power cable (sec. 4 mmq, 4 m length) with pincers and fuse - 45 l/min

**Art. 091-5083-045** 24V Pump - power cable (sec. 4 mmq, 4 m length) with pincers and fuse - 45 l/min



**Art. 908-0516-040** Connection hose  $\varnothing$  20 mm M-M 1" 4 m length



**Art. 093-5210-000** Automatic nozzle PA60 Flow rate 70 l/min





**Art. 092-5124-000** Digital turbine flow meter MEC 24 min/max flow rate 7/120 l/min



**Art. 092-6000-220** Probe for tank 330 I - 440 I

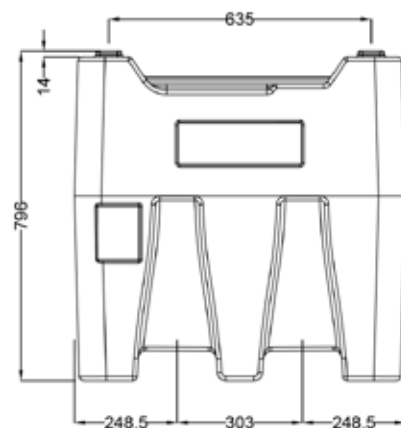
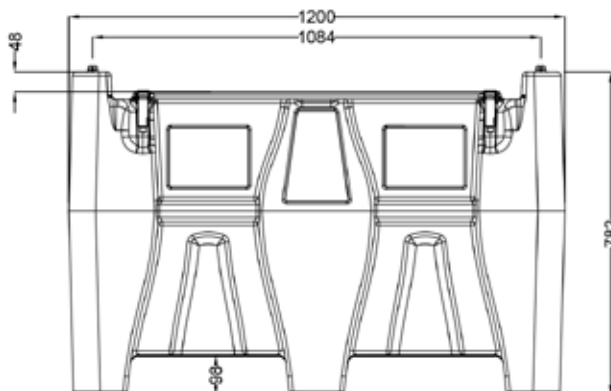
# DIESEL TANK 440



Ref.	Descrip.	Flow rate	Voltage	Power	Inlet-outlet	Conn. hose	Nozzle	Flow meter	Duty cycle	Weight	Packaging
		l/min	AC V./Hz DC Volt	W	BSPG	Ø			min	Kg	mm

<b>090-6440-012</b>	Tank 440 I	<b>45</b>	12	264	F1" - F1"	20	Aut.PA60	NO	40	53,00	1200x800x785
<b>090-6440-024</b>	Tank 440 I	<b>45</b>	24	312	F1" - F1"	20	Aut.PA60	NO	40	53,00	1200x800x785

<b>090-6441-012</b>	Tank 440 I	<b>45</b>	12	264	F1" - F1"	20	Aut.PA60	YES	40	53,30	1200x800x785
<b>090-6441-024</b>	Tank 440 I	<b>45</b>	24	312	F1" - F1"	20	Aut.PA60	YES	40	53,30	1200x800x785



Combined tank for Diesel and AdBlue® transport for private use in total exemption for ADR (see ADR Regulation at page 180). Made of polyethylene with reinforced lockable lid. Diesel compartment with aluminium filling plug and integrated safety valve, AdBlue® compartment polyethylene plug. Complete with tank level indicator and suction filter only for diesel compartment. The tank is provided with chamfers to be lifted when it is full and grips to be lifted when empty. It is equipped with slots for positioning the fastening belts at the support base. Diesel and AdBlue® compartments supplied with 4 m long cable with pincers for the connection to power battery supply.

### “Diesel-AdBlue® Tank” series composed by:



**Art. 090-6450-000** Only 400 l Tank + 50 l without pump



**Art. 091-5081-045** 12V Pump - power cable (sec. 4 mmq, 4 m length) with pincers and fuse - 45 l/min



**Art. 098-6000-012** AdBlue® submerged pump 12V-15 l/min power cable (sec.2,5 mmq. 4 m length) with pincers and fuse



**Art. 092-5124-000** Digital turbine flow meter MEC 24 min/max flow rate 7/120 l/min



**Art. 908-0516-040** Connection hose  $\varnothing$  20 mm M-M 1" 4 m length for diesel



**Art. 909-0500-040** Delivery hose EPDM  $\varnothing$  19x29 mm M-M 4 m length for AdBlue®



**Art. 099-5199-000** Manual plastic nozzle “AD90” Flow rate 90 l/min



**Art. 093-5210-000** Automatic nozzle PA60 Flow rate 70 l/min



**Art. 092-6000-220** Probe for tank 330 l - 440 l



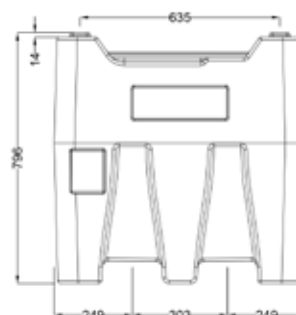
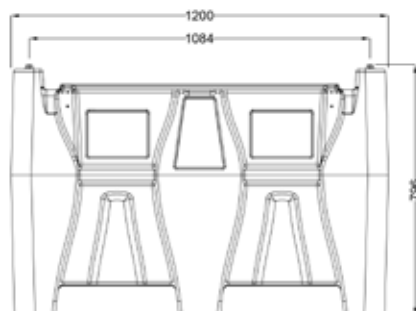
# DIESEL-AdBlue® TANK 400+50



Ref.	Descrip.	Liquid	Flow rate	Voltage	Power	Inlet-outlet	Conn. hose	Nozzle	Flow meter	Duty cycle	Weight	Packaging
			l/min	AC V./Hz DC Volt	W	BSPG	Ø			min	kg	mm

<b>090-6450-012</b>	400 l	Diesel	<b>45</b>	12	264	F1"-F1"	20	Aut.PA60	NO	40	57,00	1200X800X796
	Tank 400 + 50											
	50 l	AdBlue®	<b>15</b>	12	26		19	Man.AD90	NO	-		

<b>090-6451-012</b>	400 l	Diesel	<b>45</b>	12	264	F1"-F1"	20	Aut.PA60	YES	40	57,30	1200X800X796
	Tank 400 + 50											
	50 l	AdBlue®	<b>15</b>	12	26		19	Man.AD90	NO	-		



## **DIESEL-AdBlue® TANK**

### **AdBlue® “Diesel-AdBlue® Tank 900+100”**

Combined tank for Diesel and AdBlue® transport for private use in partial exemption paragraph 1.1.3.6 ADR (see ADR Regulation at page 180). Made of polyethylene with reinforced lockable lid. Diesel compartment with 2” aluminium filling plug and integrated 3 effects safety valve, internal breakwater bulkheads are integrated to grant the maximum security during the transport. AdBlue® compartment with 2” polyethylene plug. Complete with tank level indicator and suction filter only for Diesel compartment. The tank is provided with chamfers to be lifted when it is full and grips to be lifted when empty. It is equipped with slots for positioning the fastening belts at the support base. Diesel and AdBlue® compartments are supplied with 4 m long cable with pincers for the connection to the power battery supply.

#### **“Diesel-AdBlue® Tank” series composed by:**



**Art. 090-6900-000** Only 900 l Tank + 100 l without pump



**Art. 091-5081-060** 12V Pump - power cable (sec. 4 mmq, 4 m length) with pincers and fuse - 60 l/min



**Art. 098-6000-012** AdBlue® submerged pump 12V-15 l/min power cable (sec.2,5 mmq. 4 m length) with pincers and fuse



**Art. 092-5124-000** Digital turbine flow meter MEC 24 min/max flow rate 7/120 l/min



**Art. 908-0516-060** Connection hose  $\varnothing$  20 mm M-M 1” 6 m length for diesel



**Art. 909-0500-060** Delivery hose EPDM  $\varnothing$  19x29 mm M-M 6 m length for AdBlue®



**Art. 099-5199-000** Manual plastic nozzle “AD90” Flow rate 90 l/min





**Art. 093-5210-000** Automatic nozzle PA60 Flow rate 70 l/min

# DIESEL-AdBlue® TANK

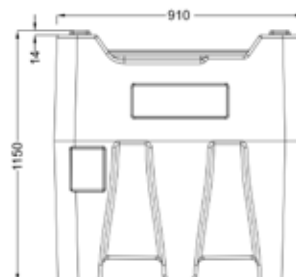
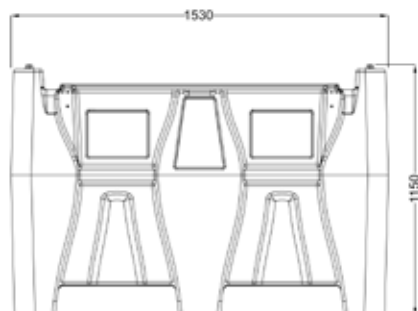
## AdBlue® “Diesel-AdBlue® Tank 900+100”



Ref.	Descrip.	Liquid	Flow rate	Voltage	Power	Inlet-outlet	Conn. hose	Nozzle	Flow meter	Duty cycle	Weight	Packaging
			l/min	AC V./Hz DC Volt	W	BSPG	Ø			min	kg	mm

<b>090-6900-012</b>	900 l	Diesel	<b>60</b>	12	336	F1"-F1"	20	Aut.PA60	NO	40	113,60	1530X910X1150
	Tank 900 + 100											
	100 l	AdBlue®	<b>15</b>	12	26		19	Man.AD90	NO	-		

<b>090-6901-012</b>	900 l	Diesel	<b>60</b>	12	336	F1"-F1"	20	Aut.PA60	YES	40	114,00	1530X910X1150
	Tank 900 + 100											
	100 l	AdBlue®	<b>15</b>	12	26		19	Man.AD90	NO	-		



Rigid polyethylene tank for diesel transport for private and professional use in total exemption for ADR (see ADR Regulation at page 180), perfect for refuelling of small operative vehicles, light-duty or recreational vehicles. It is equipped with run-flat wheels and suitable for moving on any ground. They have compact dimension for easy moving. Every tank can be filled vertically or horizontally, with the same fuel quantity. Provided with nozzle holder bracket, sphere relief valve with swiveling joint, filling plug with anti-spill vent valve.

### “Caddy” series composed by:



**Art. 090-6055-M00** Wheeled Caddy Tank 55 l diesel

**Art. 090-6110-M00** Wheeled Caddy Tank 110 l diesel



**Art. 027-3720-000** Alluminium manual rotary pump



**Art. 908-0500-040** Antistatic rubber hose Ø 20 mm 4 m lenght



**Art. 093-5200-000** Manual nozzle “MC 80” Flow rate 80 l/min


# TANK FOR DIESEL TRANSPORT “Caddy”



55 l



110 l

Ref.	Descrip.	Flow rate for 100 revolutions		Width mm	Depth mm	Height mm	Nozzle 	Weight kg	Packaging mm
		l	USG						

<b>090-6055-M00</b>	Caddy 55 l	<b>38</b>	10	460	360	900	Manual	8,00	1000X500X500
<b>090-6110-M00</b>	Caddy 110 l	<b>38</b>	10	460	440	1100	Manual	12,00	1200X500X500

## DOUBLE-WALL TANK FOR DIESEL “Multitank”

Double-wall tanks in HDPE with integrated galvanised steel foil, palletised base. Equipped with level indicator, visual leaks detector, built-in transport handles. Tanks suitable for stocking of diesel, bio-diesel, for professional or private use. Approved for indoor installing and proper for filling with nozzles.

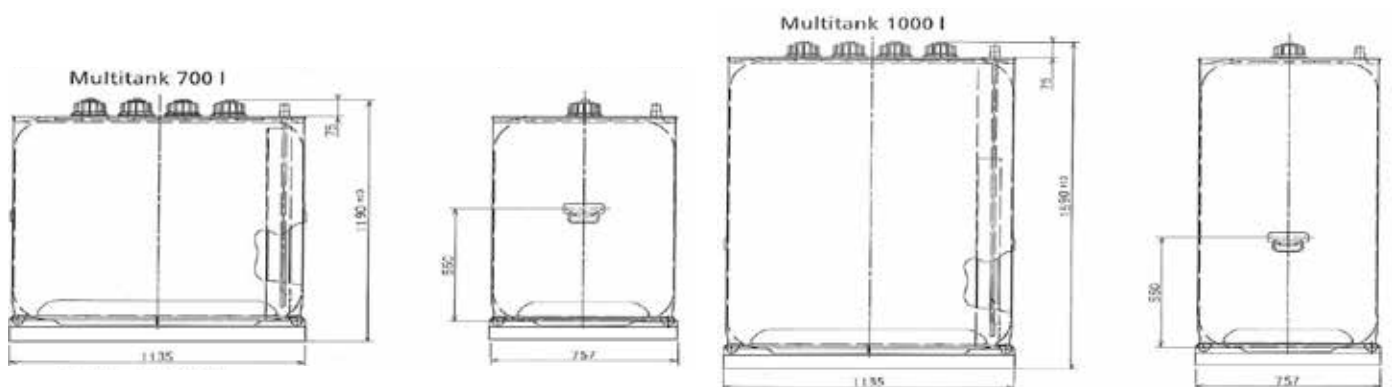


**Hose reel, pump, nozzle and accessories are not included**

Ref.	Descrip.	Capacity	Width	Depth	Height	Weight	Packaging
		l	mm	mm	mm	kg	mm

<b>090-8070-000</b>	Multitank	<b>700</b>	1135	757	1190	65	1135x757x1190
<b>090-8100-000</b>	Multitank	<b>1000</b>	1135	757	1590	80	1135x757x1590

<b>090-8200-030</b>	Supp.bracket	-	727	370	114	12,5	745x390x150
---------------------	--------------	---	-----	-----	-----	------	-------------



# POLYETHYLENE TANK FOR DIESEL AND AdBlue® “Tank in tank”



Double-wall rigid polyethylene tank for diesel and AdBlue® for professional and private use, with built-in retention bucket, UV protection, anti-odor barrier SMP and seal of quality proofed barrier. Tank's accessory: support to install the AdBlue® and diesel “Compact” kit.

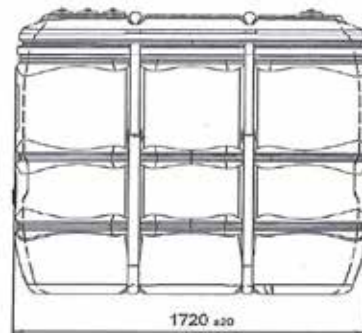


Ref.	Descrip.	Flow rate	Width	Depth	Height	Weight	Packaging
		l	mm	mm	mm	kg	mm
<b>090-9100-000</b>	Tank in Tank	<b>1000</b>	1420	660	1685	59	1420x660x1685
<b>090-9150-000</b>	Tank in Tank	<b>1500</b>	1720	770	1720	90	1720x770x1720
<b>090-9200-000</b>	Tank in Tank	<b>2000</b>	2220	770	1700	145	2200x770x1700

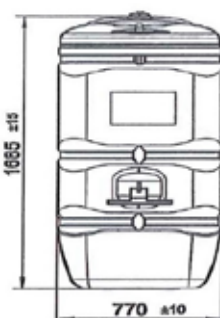
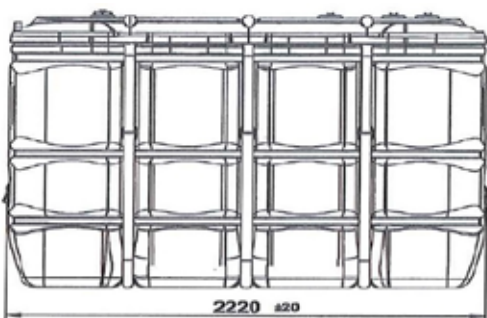
<b>097-9900-008</b>	Supp.bracket	<b>x1000</b>	356	470	600	7	600x356x470
<b>097-9900-009</b>	Supp.bracket	<b>x1500</b>	356	285	600	6	600x356x285
<b>097-9900-010</b>	Supp.bracket	<b>x2000</b>	356	350	600	6,2	600x356x350



**1000 l**



**1500 l**



**2000 l**

**Stainless steel support bracket**



Filter group with double filtering for oil and diesel absorbing water and impurities. The high efficiency allows the filtering of large quantity of diesel in a single operation. The first stage with filtering capacity equal to a 125  $\mu$ , second stage with filtering capacity equal to 30  $\mu$  with water separating. Group equipped with delivery hose and suction hose. Big diameter wheels suitable for moving on every ground, solid structure in painted tubular.

### “MecFilter” series composed by:



**Art. 091-5081-060** 12V Pump - power cable (sec. 4 mmq, 4 m lenght)  
with pincers and fuse - 60 l/min



**Art. 091-5095-060** Electric pump 230V 50Hz 60 l/min



**Art. 091-5099-070** Electric pump 115V 60Hz 70 l/min



**Art. 908-0516-040** Connection hose  $\varnothing$  20 mm M-M 1” 4 m lenght



**Art. 095-5450-040** Suction kit with PVC hose



**Art. 093-5200-000** Aluminium manual nozzle MC80 Flow rate 80 l/min



**Art. 094-5250-030** Water separating delivery filter for diesel 30  $\mu$  - 70 l/min



**Art. 094-5251-030** Cartridge for water separating delivery filter for diesel 30  $\mu$




**Art. 094-5255-125** Delivery filter with stainless steel cartridge for diesel 125  $\mu$  - 100 l/min

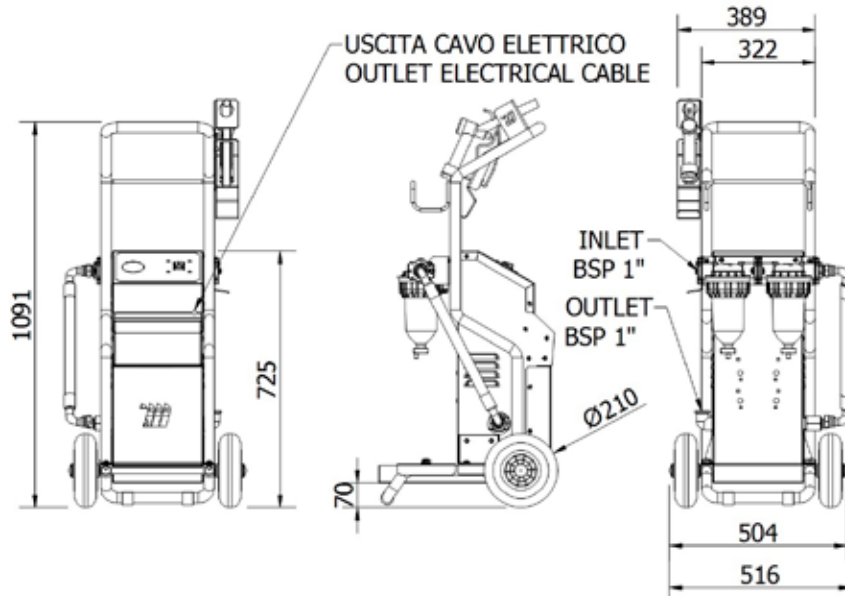


# WHEELED FILTER GROUP FOR DIESEL "MecFilter"



Ref.	Descrip.	Flow rate	Voltage	Power	Conn. hose	Inlet-Outlet	Nozzle	Weight	Packaging
	MecFilter	l/min	AC V./Hz DC Volt	W	Ø mm / L m	BSPG		kg	mm

<b>090-6000-230</b>	Diesel Filter	<b>60</b>	230/50	460	20 / 4	F 1" - F 1"	Manual	45,00	530X520X1110
<b>090-6000-115</b>	Diesel Filter	<b>60</b>	115/60	575	20 / 4	F 1" - F 1"	Manual	46,00	530X520X1110
<b>090-6000-012</b>	Diesel Filter	<b>60</b>	12	336	20 / 4	F 1" - F 1"	Manual	45,00	530X520X1110



Filter group for oil and grease absorbing water and impurities. The high efficiency allows the filtering of large quantity of diesel in a single operation. Group equipped with delivery hose and suction hose. Big diameter wheels suitable for moving on every ground, solid structure in painted tubular.

### “EcoFilter” series composed by:



**Art. 091-5095-060** Electric pump for diesel 230V 50Hz 60 l/min



**Art. 091-5099-070** Electric pump for diesel 115V 60Hz 70 l/min



**Art. 091-5500-025** Electric pump for oils and lubricants 230V-50Hz 25 l/min



**Art. 908-0516-040** Connection hose ø 20 mm M-M 1” 4 m length



**Art. 095-5450-040** Suction kit with PVC hose



**Art. 093-5200-000** Aluminium manual nozzle MC80 Flow rate 80 l/min



**Art. 094-5240-000** Water separating delivery filter for diesel/oil 70 l/min

**Art. 094-5280-010** Oil filter 100 l/min 10 μ - Connection F 1”

**Art. 094-5281-010** Cartridge for oil filter 10 μ


# WHEELED FILTER GROUP FOR OIL / DIESEL "EcoFilter"



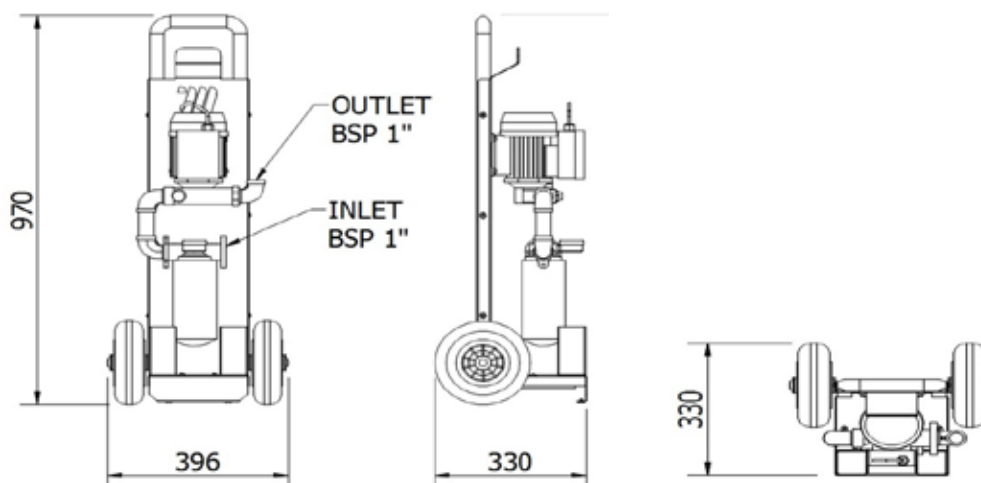
**090-6020-230**



**090-6021-230**

Ref.	Descrip.	Flow rate	Voltage	Power	Conn. hose	Inlet-Outlet	Nozzle	Weight	Packaging
	EcoFilter	l/min	AC V./Hz DC Volt	W	Ø mm / L m	BSPG		kg	mm

<b>090-6020-230</b>	Diesel Filter	<b>60</b>	230/50	460	20 4m	F 1" - F 1"	Manual	24,00	990X350X405
<b>090-6020-115</b>	Diesel Filter	<b>70</b>	115/60	575	20 4m	F 1" - F 1"	Manual	25,00	990X350X405
<b>090-6021-230</b>	Oil Filter	<b>25</b>	230/50	850	20 4m	F 1" - F 1"	Manual	26,40	990X350X405



Battery electric vane self-priming pump 12 or 24V direct electricity, constituted by cast iron body, sintered steel impeller and acetyl resin vane. Built-in by-pass valve and stainless steel filter.



## Battery electric pump 45 l for diesel transfer equipped with:

Power cable 2 m length sec. 2,5 mmq with pincers and fuse

Power cable 4 m length sec. 4 mmq with pincers and fuse

Self-priming rotary electric pump

Cast iron body

By-pass valve

DC engine

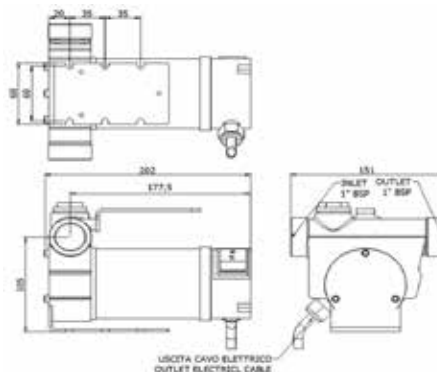
Stainless steel filter 100 micron

Motor protection rating IP55

Ref.	Flow rate	Voltage	Power	Electricity	Cable length	Inlet-Outlet	Duty cycle	Max suction height	Weight	Packaging
	l/min	DC Volt	W	A	m	BSPG	min	m	kg	mm

<b>091-5080-045</b>	<b>45</b>	12	264	18	2	F 1"-F 1"	40	3	5,10	250X195X210
<b>091-5081-045</b>	<b>45</b>	12	264	18	4	F 1"-F 1"	40	3	5,10	250X195X210
<b>091-5082-045</b>	<b>45</b>	24	312	10	2	F 1"-F 1"	40	3	5,10	250X195X210
<b>091-5083-045</b>	<b>45</b>	24	312	10	4	F 1"-F 1"	40	3	5,10	250X195X210

## Dimensions:



# BATTERY ELECTRIC PUMPS FOR DIESEL FUEL TRANSFER



Battery electric vane self-priming pump 12 or 24V direct electricity, constituted by cast iron body, sintered steel impeller and acetyl resin vane. Built-in by-pass valve and stainless steel filter.



## Battery electric pump 60 l for diesel transfer equipped with:

Power cable 4 m length sec. 4 mmq with pincers and fuse

Self-priming rotary electric pump

Cast iron body

By-pass valve

DC Engine

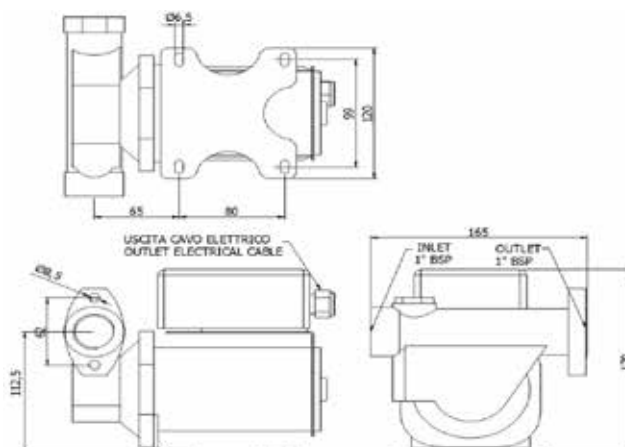
Stainless steel filter 100 micron

Motor protection rating IP55

Ref.	Flow rate	Voltage	Power	Electricity	Cable lenght	Inlet-Outlet	Duty cycle	Max suction height	Weight	Packaging
	l/min	DC Volt	W	A	m	BSPG	min	m	kg	mm

091-5081-060	60	12	336	19	4	F 1"-F 1"	40	3	6,70	250X195X210
091-5083-060	60	24	432	11	4	F 1"-F 1"	40	3	6,70	250X195X210

## Dimensions:



Battery electric vane self-priming pump 12 or 24V direct electricity, constituted by cast iron body, sintered steel impeller and acetyl resin vane. Built-in by-pass valve and stainless steel filter.



### Battery electric pump 85 l for diesel transfer equipped with:

Power cable 4 m length sec. 6 mmq with pincers and fuse

Self-priming rotary electric pump

Cast iron body

By-pass valve

DC Engine

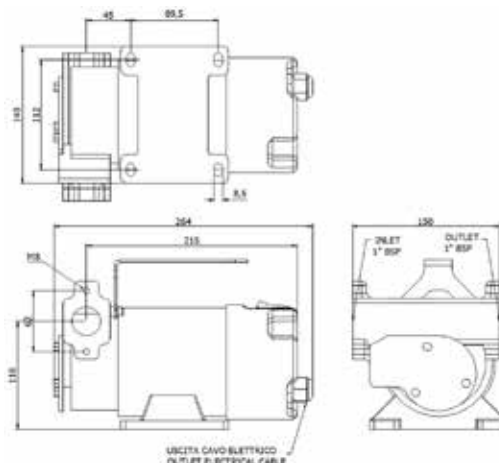
Stainless steel filter 100 micron

Motor protection rating IP55

Ref.	Flow rate	Voltage	Power	Electricity	Cable Length	Inlet-Outlet	Duty cycle	Max suction height	Weight	Packaging
	l/min	DC Volt	W	A	m	BSPG	min	m	kg	mm

<b>091-5081-085</b>	<b>85</b>	12	432	40	4	F 1"-F 1"	S2 30	2	9,50	300X215X230
<b>091-5083-085</b>	<b>85</b>	24	432	32	4	F 1"-F 1"	S2 30	2	9,50	300X215X230

### Dimensions:



# ELECTRIC PUMPS FOR DIESEL FUEL TRANSFER



Electric pumps 230V, volumetric self-priming vane. They are equipped with asynchronous induction self-ventilated engine with motor protection rating IP55, insulation class type F, internal protection. Built-in by-pass valve and stainless steel filter.



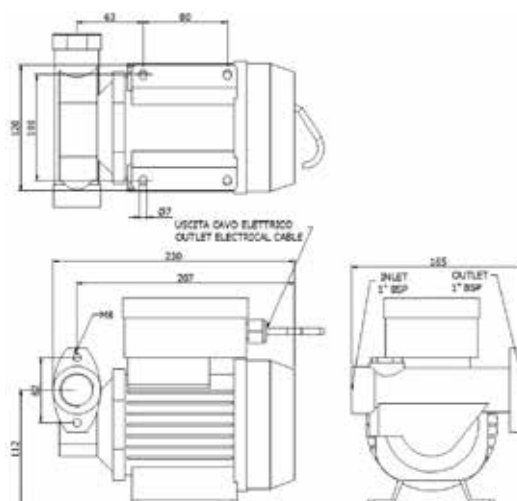
## Electric pump for diesel fuel transfer 60 l equipped with:

- Power cable 2 m length, Schuko plug
- Self-priming rotary electric pump
- Cast iron body
- By-pass valve
- AC Engine
- Stainless steel filter 100 micron
- Motor protection rating IP55

Ref.	Flow rate	Voltage	Power	Electricity	Length Cable	Inlet-outlet	Duty cycle	Weight	Packaging
	l/min	AC V./Hz	W	A	m	BSPG	min	kg	mm

091-5095-060	60	230/50	460	1,95	2	F 1"-F 1"	Contin.	7,60	250X195X210
--------------	----	--------	-----	------	---	-----------	---------	------	-------------

## Dimensions:



Electric pumps 115 - 230V - 400V, volumetric self-priming vane. They are equipped with asynchronous induction self-ventilated with motor protection rating IP55, insulation class type F, internal protection. Built-in by-pass valve and stainless steel filter.



### Electric pump 70 l for diesel fuel transfer equipped with:

- Power cable 2 m length, Schuko plug
- Self-priming rotary electric pump
- Cast iron body
- By-pass valve
- AC Engine
- Stainless steel filter 100 micron
- Motor protection rating IP55

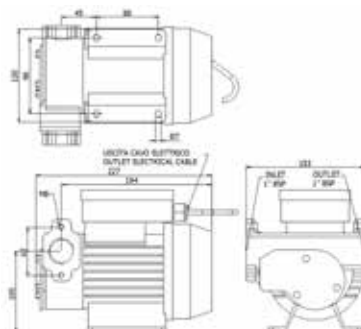
Ref.	Flow rate	Voltage	Power	Electricity	Cable length	Inlet-outlet	Duty cycle	Weight	Packaging
	l/min	AC V./Hz	W	A	m	BSPG	min	kg	mm

<b>091-5098-070</b>	<b>70</b>	230/50	552	2,9	2	F 1"-F 1"	Contin.	8,60	300X215X230
---------------------	-----------	--------	-----	-----	---	-----------	---------	------	-------------

<b>091-5099-070</b>	<b>70</b>	115/60	575	6	2	F 1"-F 1"	Contin.	8,60	300X215X230
---------------------	-----------	--------	-----	---	---	-----------	---------	------	-------------

<b>091-5097-070</b>	<b>70</b>	400/50	304	1,1	2	F 1"-F 1"	Contin.	9,00	300X215X230
---------------------	-----------	--------	-----	-----	---	-----------	---------	------	-------------

### Dimensions:





# ELECTRIC PUMPS FOR DIESEL FUEL TRANSFER



Electric pump 115 o 230V, volumetric self-priming vane. They are equipped with asynchronous induction self-ventilated engine with motor protection rating IP55, insulation class type F, internal protection. Built-in by-pass valve and stainless steel filter.



## Electric pump 100 l for diesel fuel transfer equipped with:

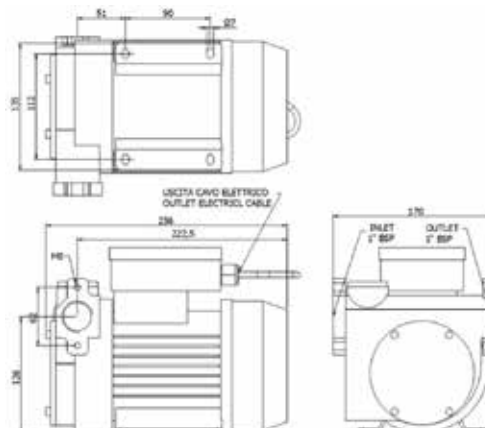
- Power cable 2 m length, Schuko plug
- Self-priming rotary electric pump
- Cast iron body
- By-pass valve
- AC engine
- Stainless steel filter 100 micron
- Motor protection rating IP55

Ref.	Flow rate	Voltage	Power	Electricity	Cable length	Inlet-outlet	Duty cycle	Weight	Packaging
	l/min	AC V./Hz	W	A	m	BSPG	min	kg	mm

091-5100-100	100	230/50	805	4,5	2	F 1"-F 1"	Contin.	14,00	300X215X230
--------------	-----	--------	-----	-----	---	-----------	---------	-------	-------------

091-5101-100	100	115/60	977	8,5	2	F 1"-F 1"	Contin.	14,00	300X215X230
--------------	-----	--------	-----	-----	---	-----------	---------	-------	-------------

## Dimensions:



Electric pumps 230V, volumetric self-priming vane. They are equipped with asynchronous induction self-ventilated with motor rate protection IP55, insulation class type F, internal protection. Built-in by-pass valve and stainless steel filter.



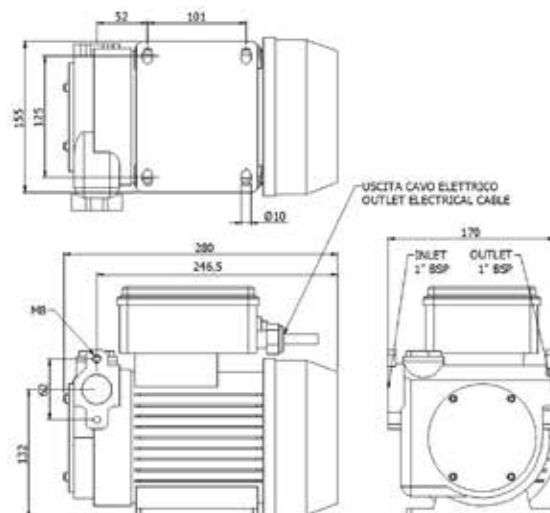
### Electric pump 150 l for diesel fuel transfer equipped with:

- Power cable 2 m length, Schuko plug
- Self-priming rotary electric pump
- Cast iron body
- By-pass valve
- AC Engine
- Stainless steel filter 100 micron
- Motor protection rating IP55

Ref.	Flow rate	Voltage	Power	Electricity	Cable length	Inlet-Outlet	Duty cycle	Weight	Packaging
	l/min	AC V./Hz	W	A	m	BSPG	min	kg	mm

091-5100-150	150	230/50	1725	14,5	2	F 1" - F 1"	S2 30 min	16,70	290X190X250
--------------	-----	--------	------	------	---	-------------	-----------	-------	-------------

### Dimensions:



Electric pumps “CarbuMec” available in 4 versions: 230V, 110V, 12V, 24V. They are composed by plastic body and anti-siphon security system. In case of accidental damage of the delivery hose or of the delivery nozzle, the anti-siphon security system provides for avoiding the liquid’s spread in the working space for siphon-effect.



## Electric pump 35/40 I for diesel fuel transfer equipped with:

Plastic telescopic suction hose M1”

Plastic body

Protection rate IPx4

Switch ON/OFF

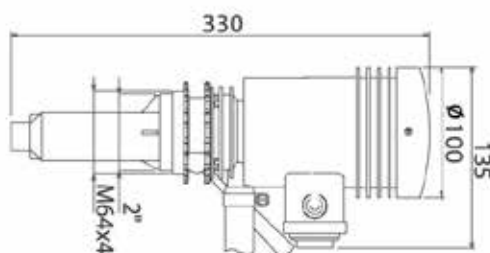
Versions 12V and 24V equipped with pincers and batteries

Pump body thread M64x2 and 2”

Ref.	Flow rate	Voltage	Power	Electricity	Cable lenght	Duty cycle	Max suction height	Weight	Packaging
	l/min	AC V./Hz DC Volt	W	A	m	min	m	kg	mm

091-5600-040	40	230/50	224	1,23	3	Contin.	3	2,70	410X400X270
091-5602-040	40	115/60	320	3,64	3	Contin.	3	2,70	410X400X270
091-5610-035	35	12	110	6,32	3	Contin.	3	2,70	410X400X270
091-5612-035	35	24	135	3,70	3	Contin.	3	2,70	410X400X270

## Dimensions:



## ELECTRIC PUMPS FOR OIL TRANSFER "VISCOMEC"

12V-24V DC electric pumps with gear rotor for the transfer of oils and lubricants with viscosity up to 600cSt (oil SAE 80W90).

They are suitable for applications where it is necessary to transfer oil from drums.

### Art. 091-5480-010

#### Electric pump for oils and lubricants transfer

12V 10l/min operating pressure 4-6 bar

Power cable 2 m length, with pincers and protection fuse

Self-priming rotary electric pump

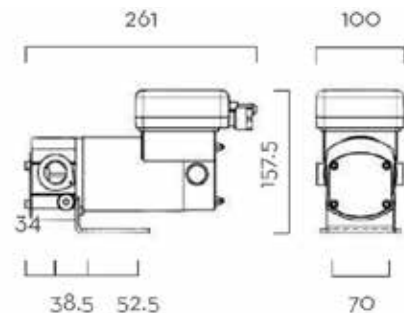
Cast iron body

Sintered steel gears

By-pass valve

DC Engine

Motor protection rating IP55



### Art. 091-5482-010

#### Electric pump for oils and lubricants transfer

24V 10l/min operating pressure 4-6 bar

Power cable 2 m length, with pincers and protection fuse

Self-priming rotary electric pump

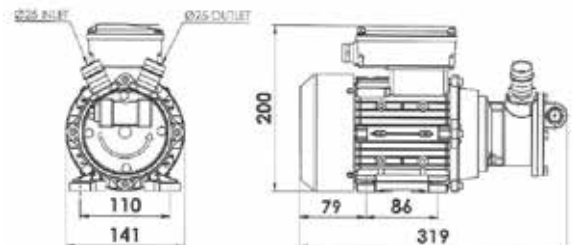
Cast iron body

Sintered steel gears

By-pass valve

DC Engine

Motor protection rating IP55



Volumetric electric pumps and 230V for oils and lubricants transfer, the suction filter is supplied.

### Art. 091-5500-030

#### Electric pump for oils and lubricants 230V-50Hz 30 l/min

Power cable 2 m length, Schuko plug

Self-priming rotary electric pump

Cast iron body

By-pass valve

AC Engine

Stainless steel filter 100 micron

Motor protection rating IP55



Ref.	Flow rate	Voltage	Power	Electricity	Cable length	Inlet-outlet	RPM	Weight	Packaging
	l/min	AC V./Hz DC Volt	W	A	m	BSPG	min	kg	mm
<b>091-5480-010</b>	<b>10</b>	12	300	35	2	F 3/4" BSP	2900	4,90	345X175X255
<b>091-5482-010</b>	<b>10</b>	24	300	18	2	F 3/4" BSP	2900	4,90	345X175X255
<b>091-5500-030</b>	<b>30</b>	230/50	850	3	2	F 1" BSP	1800	10	390X190X250

# ELECTRIC PUMPS FOR LUBRICANTS TRANSFER



230V AC self-priming volumetric vane electric pumps for oils and lubricants transfer with viscosity up to 500 cSt. They are equipped with asynchronous self-ventilated induction electric engine with IP55 protection, F type insulation class, thermal protection. Integrated and adjustable by-pass valve to grant the functioning also when you don't press the nozzle's trigger. Noise inferior to 70 dB.



**Art. 091-5500-025**

**Electric pump for lubricants transfer of 230V-50HZ 25 l/min**

**Art. 091-5500-050**

**Electric pump for lubricants transfer of 25 l/min - 50 l/min**

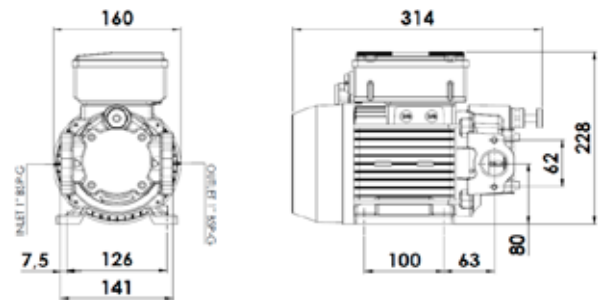
Supply cable L. 2 mt, with Schuko plug

Rotative self-priming electric pump

Cast iron body By-pass valve

AC engine Max pressure 6 bar

Level of engine protection



Ref.	Flow rate	Voltage	Power	Electricity	Cable length	Inlet Outlet	Duty cycle	Weight	Packaging
	l/min	AC V./Hz	W	A	m	BSPG	min	kg	mm
<b>091-5500-025</b>	<b>25</b>	230/50	828	4,6	2	F 1"-F 1"	contin.	14,10	390X190X250
<b>091-5500-050</b>	<b>50</b>	230/50	1081	7	2	F 1"-F 1"	contin.	14,10	390X190X250

**Art. 091-6000-000**

**Universal support plate with handle, suitable for 230V / 115V pumps:**



**Pump not included**

Ref.	Description	Dimensions	Weight	Packaging
		width x depth x height (mm)	kg	mm
<b>091-6000-000</b>	Support plate with handle	234x320x370	4,00	245x335x110

## MECHANICAL VOLUMETRIC FLOW METERS

Mechanical volumetric flow meter able to provide high degree of precision for the measurement of diesel for private use. Equipped with a totalizer and a partial meter, resettable with side knob, allowing the user to change the output direction of the fuel as needed. The meters are also fitted with regulation screws for precision adjustment. The flow meter can be applied to motor pumps or for gravity.



**Art. 092-5103-000 Mechanical volumetric flow meter 3C**  
**min-max flow rate 20-120 l/min**

6 digits totalizer  
3 digits partial totalizer (max 999 l)  
Allowed fluids: diesel, light oil



**Art. 092-5104-000 Mechanical volumetric flow meter 4C**  
**min-max flow rate 20-120 l/min**

8 digits totalizer  
4 digits partial totalizer (max 9999 l)  
Allowed fluids: diesel, light oil



**Art. 092-5104-G00 Mechanical volumetric flow meter for gallons 4C**  
**min-max flow rate 5-32 g/min**

8 digits totalizer  
4 digits partial totalizer (max 9999 g)  
Allowed fluids: diesel, light oil

Ref.	Flow rate	Pressure	Accuracy	Inlet - Outlet	Weight	Packaging
	l/min	bar	%	BSPG	Kg	mm

<b>092-5103-000</b>	<b>20-120 l/min</b>	10	+/- 1	F 1" - F 1"	2	220X150X220
---------------------	---------------------	----	-------	-------------	---	-------------

<b>092-5104-000</b>	<b>20-120 l/min</b>	10	+/- 1	F 1" - F 1"	2	220X150X220
---------------------	---------------------	----	-------	-------------	---	-------------

<b>092-5104-G00</b>	<b>5-32 Gallons</b>	10	+/- 1	F 1" - F 1"	2	220X150X220
---------------------	---------------------	----	-------	-------------	---	-------------

Digital flow meter with swinging disc system. It is used for the diesel measurement for private use. The flow meter works through the liquid's passage in to the measurement chamber, the liquid makes the swinging disc moving through special transmission system, it produces a magnetic signal read by the electronic device. It is possible to rotate the dial to facilitate the reading in every assembly position of the device. Flow meter of easy assembly, it can be installed on rigid and flexibles pipes, tanks, pumps and for gravity.



**Art. 092-5110-000 Digital volumetric flow meter  
min-max flow rate 5-120 l/min**

6 digits totalizer  
6 digits partial totalizer  
Allowed fluids: diesel, light oil  
Measurement unit: L (liters), G (U.S. gallons),  
Q (Quarters), P (Pints)



**Art. 092-5111-000 Digital volumetric flow meter with cable  
min-max flow meter 5-120 l/min**

6 digits totalizer  
6 digits partial totalizer  
Allowed fluids: diesel, light oil  
Measurement unit: L (liters), G (U.S. gallons),  
Q (Quarters), P (Pints)

Ref.	Flow rate	Pressure	Accuracy	Inlet - Outlet	Weight	Packaging
	l/min	bar	%	BSPG	Kg	mm

092-5110-000	5-120	3,5	+/- 0,5	F 1" - F 1"	1,43	200X170X115
--------------	-------	-----	---------	-------------	------	-------------

092-5111-000	5-120	3,5	+/- 0,3	F 1" - F 1"	1,45	200X170X115
--------------	-------	-----	---------	-------------	------	-------------

Turbine or with gears flow meters that feature high precision performance for the measurement of non-commercial use diesel. The software enables full control of dispensing system thank to the various functions featured. It can be applied on motor pumps or for gravity.



**Art. 092-5124-000 Digital turbine flow meter MEC 24**  
**min-max flow rate 7/120 l/min**

6 digits totalizer (non resettable)  
6 digits partial (resettable)  
Allowed fluids: diesel, low viscosity oil



**Art. 092-5130-000 Digital flow meter with gears MGE-110**  
**min-max flow rate 5-110 l/min**

6 digits totalizer (non resettable)  
6 digits partial (resettable)  
Allowed fluids: diesel, oil



**Art. 092-5140-000 Digital flow meter with gears MGE-250**  
**min-max flow rate 10-250 l/min**

6 digits totalizer (non resettable)  
6 digits partial (resettable)  
Allowed fluids: diesel, oil



**Art. 092-5150-000 Digital flow meter with gears MGE-400**  
**min-max flow rate 15-400 l/min**

6 digits totalizer (non resettable)  
6 digits partial (resettable)  
Allowed fluids: diesel, oil

Ref.	Flow rate	Pressure	Accuracy	Inlet-outlet	Weight	Packaging
	l/min	bar	%	BSPG	Kg	mm

<b>092-5124-000</b>	<b>7-120</b>	10	+/- 1	F 1" - F 1"	0,4	145X135X85
---------------------	--------------	----	-------	-------------	-----	------------

<b>092-5130-000</b>	<b>5-110</b>	50	+/- 0,5	F 1" - F 1"	1	150X140X85
---------------------	--------------	----	---------	-------------	---	------------

<b>092-5140-000</b>	<b>10-250</b>	50	+/- 0,5	F 1.1/2" - F 1.1/2"	2,7	180X175X165
---------------------	---------------	----	---------	---------------------	-----	-------------

<b>092-5150-000</b>	<b>15-400</b>	50	+/- 0,5	F 2" - F 2"	4,3	193X145X141
---------------------	---------------	----	---------	-------------	-----	-------------



# ELECTRONIC PULSED VOLUMETRIC FLOW METERS



Electronic pulsed volumetric flow meters that offer high precision performance for diesel measurement for private use.



**Art. 092-5170-110 Mechanical pulsed flow meter MGI-110**  
 min-max flow rate 5-110 l/min  
 nr. 41 pulses/liter



**Art. 092-5170-250 Mechanical pulsed flow meter MGI-250**  
 min-max flow rate 10-250 l/min  
 nr. 11 pulses/liter



**Art. 092-5170-400 Mechanical pulsed flow meter MGI-400**  
 min-max flow rate 15-400 l/min  
 nr. 5,5 pulses/liter

Ref.	Flow rate	Pressure	Accuracy	Inlet- Outlet	Weight	Packaging
	l/min	bar	%	BSPG	Kg	mm
<b>092-5170-110</b>	<b>5-110</b>	50	+/- 0,5	F 1" - F 1"	1,1	123X90X123
<b>092-5170-250</b>	<b>10-250</b>	50	+/- 0,5	F 1.1/2" - F 1.1/2"	2,3	159X100X141
<b>092-5170-400</b>	<b>15-400</b>	50	+/- 0,5	F 2" - F 2"	4,3	193X145X141

Electronic control unit that offers high precision performance for the diesel measurement and delivery for private use.



**Art. 092-5200-230 Electronic control unit MecGest 110/230V 50Hz**  
Software included  
Preselection and multi-users consumption management



**Art. 092-5220-000 Codified communication kit USB key reader for PC**



**Art. 092-5300-000 Red key - Manager - nr. 1 pc.**



**Art. 092-5300-001 Blue key - User - nr. 1 pc.**



**Art. 092-5300-010 Kit blue keys - Users- nr. 10 pc.**



**Art. 092-5350-001 Codified Kit Lan Connection USB-RS485**



**Art. 092-5402-100 Shielded signal cable 2 poles 100 m length**

Manual dispensing nozzles made up of plastic and aluminium body, equipped with swivel connection. For their features, they can be applied on every transfer system, also operating for gravity.



**Art. 093-5199-000 Manual plastic nozzle "MP120"**

for diesel fuel transfer  
Flow rate 120 l/min  
Plastic body  
Swivel connection F 1"



**Art. 093-5200-000 Manual nozzle "MC80"**

for diesel fuel transfer  
Flow rate 80 l/min  
Aluminium body  
Swivel connection F 1"



**Art. 093-5202-000 Aluminium manual nozzle "MC100"**

for diesel fuel transfer  
Flow rate 100 l/min  
Aluminium body with plastic lever  
Swivel connection F 1"

Ref.	Model	Fluid	Flow rate	Inlet	Weight	Ø End	Packaging
		tipo	l/min	BSPG	Kg	mm	mm

<b>093-5199-000</b>	MP120	Diesel	<b>120</b>	F 1"	0,5	29,00	400X175X57
---------------------	-------	--------	------------	------	-----	-------	------------

<b>093-5200-000</b>	MC80	Diesel	<b>80</b>	F 1"	0,85	24,00	400X175X57
---------------------	------	--------	-----------	------	------	-------	------------

<b>093-5202-000</b>	MC100	Diesel	<b>100</b>	F 1"	0,75	25,00	400X175X57
---------------------	-------	--------	------------	------	------	-------	------------

Automatic dispensing nozzles composed by aluminium body. Equipped with a device that shuts off the flow automatically when the tank is full. Suitable for quick and safe refuel, provided with swivel-connection.



**Art. 093-5210-000 Automatic nozzle "PA60"**

for diesel fuel transfer  
Flow rate 70 l/min  
Aluminium body  
Swivel connection F 1"



**Art. 093-5215-000 Automatic nozzle "PA90"**

for diesel fuel transfer  
Flow rate 90 l/min  
Aluminium body  
Swivel connection F 1"



**Art. 093-5220-000 Automatic nozzle "PA120"**

for diesel fuel transfer  
Flow rate 120 l/min  
Aluminium body  
Swivel connection F 1"

Ref.	Model	Fluid	Flow rate	Inlet	Weight	Ø End	Packaging
		tipo	l/min	BSPG	Kg	mm	mm

<b>093-5210-000</b>	PA60	Diesel	<b>70</b>	F 1"	1,3	24,00	400X175X57
---------------------	------	--------	-----------	------	-----	-------	------------

<b>093-5215-000</b>	PA90	Diesel	<b>90</b>	F 1"	1,65	27,00	400X175X57
---------------------	------	--------	-----------	------	------	-------	------------

<b>093-5220-000</b>	PA120	Diesel	<b>120</b>	F 1"	1,69	30,00	400X175X57
---------------------	-------	--------	------------	------	------	-------	------------

# AUTOMATIC DISPENSING NOZZLE FOR DIESEL



Automatic dispensing nozzles composed by aluminium body. Equipped with a device that shuts off the flow automatically when the tank is full. Suitable for quick and safe refuel, provided with swivel connection.



### Art. 093-5221-080 Automatic nozzle "ZVA80"

for diesel fuel transfer  
Flow rate 80 l/min  
Aluminium body  
Swivel connection F 1"



### Art. 093-5221-120 Automatic nozzle "ZVA120"

for diesel fuel transfer  
Flow rate 120 l/min  
Aluminium body  
Swivel connection F 1"



### Art. 093-5222-280 Automatic nozzle "PA280"

for diesel fuel transfer  
Flow rate 280 l/min  
Aluminium body  
Swivel connection F 1.1/2"

Ref.	Model	Fluid	Flow rate	Inlet	Weight	Ø End	Packaging
		tipo	l/min	BSPG	Kg	mm	mm

<b>093-5221-080</b>	ZVA80	Diesel	<b>80</b>	F 1"	1,20	24,80	400X175X57
---------------------	-------	--------	-----------	------	------	-------	------------

<b>093-5221-120</b>	ZVA120	Diesel	<b>120</b>	F 1"	1,65	31,00	400X175X57
---------------------	--------	--------	------------	------	------	-------	------------

<b>093-5222-280</b>	PA280	Diesel	<b>280</b>	F 1.1/2"	2,20	39,50	420x220x573
---------------------	-------	--------	------------	----------	------	-------	-------------



**Art. 093-5310-003 Cover for Automatic nozzle PA60 - Blue**  
**Art. 093-5312-003 Cover for Automatic nozzle PA90/120 - Blue**



**Art. 093-5310-004 Cover for Automatic nozzle PA60 - Yellow**  
**Art. 093-5312-004 Cover for Automatic nozzle PA90/120 - Yellow**



**Art. 093-5310-007 Cover for Automatic nozzle PA60 - Red**  
**Art. 093-5312-007 Cover for Automatic nozzle PA90/120 - Red**



**Art. 093-5310-008 Cover for Automatic nozzle PA60 - Green**  
**Art. 093-5312-008 Cover for Automatic nozzle PA90/120 - Green**



**Art. 093-5224-506 Swiveling connector M 3/4" - F 1"**



**Art. 093-5224-606 Swiveling connector M 1" - F 1"**



**Art. 093-5224-808 Swiveling connector M 1.1/2" - F 1.1/2"**

Ref.	Model	Fluid	Flow rate	Inlet	Weight	Packaging
		Type	l/min	BSPG	Kg	mm

<b>093-5224-506</b>	PA60	Diesel	70	M 3/4" - F 1"	0,3	50x50x60
---------------------	------	--------	----	---------------	-----	----------

<b>093-5224-606</b>	PA90/120	Diesel	120	M 1" - F 1"	0,4	50x50x60
---------------------	----------	--------	-----	-------------	-----	----------

<b>093-5224-808</b>	PA280	Diesel	280	M 1.1/2" - F 1.1/2"	0,8	70x70x80
---------------------	-------	--------	-----	---------------------	-----	----------

# WATER SEPARATING DELIVERY FILTERS



Water separating cartridge filter. The engines use the diesel delivered by the station, so the filter ensures their protection. It separates and absorbs the water in the delivered diesel.



**Art. 094-5240-000 Water separating delivery filter for diesel/gasoline 70 l/min**  
Inlet-outlet connection F1"  
Filtering capacity 30  $\mu$



**Art. 094-5241-000 Water separating cartridge diesel gasoline for filter 70 l/min**  
Dimensions 213x96 mm  
Filtering capacity 30  $\mu$



**Art. 094-5245-000 Water separating delivery filter for diesel/gasoline 150 l/min**  
Inlet-outlet connection F1"  
Filtering capacity 30  $\mu$

**Art. 094-5246-000 Water separating cartridge diesel gasoline for filter 150 l/min**  
Dimensions 269x128 mm  
Filtering capacity 30  $\mu$

**Art. 094-5248-000 Water separating transparent delivery filter for diesel/gasoline 105 l/min**  
Inlet-outlet connection F1"  
Filtering capacity 5  $\mu$

**Art. 094-5249-000 Water separating cartridge diesel gasoline for filter 105 l/min**  
Dimensions 100x210 mm  
Filtering capacity 5  $\mu$

**Art. 094-5249-025 Water separating cartridge diesel gasoline for filter 105 l/min**  
Dimensions 100x210 mm  
Filtering capacity 25  $\mu$

Ref.	Filter capacity	Fluid	Flow rate	Inlet	Weight	Packaging
	$\mu$	type	l/min	BSPG	Kg	mm
<b>094-5240-000</b>	30	Diesel	<b>70</b>	F 1" - F 1"	1,4	200X225X135
<b>094-5241-000</b>	30	Diesel	<b>70</b>	-	0,75	112X112X213
<b>094-5245-000</b>	30	Diesel	<b>150</b>	F 1" - F 1"	2,55	170X170X355
<b>094-5246-000</b>	30	Diesel	<b>150</b>	-	1,7	170X170X355
<b>094-5248-000</b>	5	Diesel	<b>105</b>	F 1" - F 1"	2,8	225X185X325
<b>094-5249-000</b>	5	Diesel	<b>105</b>	-	1,5	170X170X213
<b>094-5249-025</b>	25	Diesel	<b>105</b>	-	1,5	170X170X213

Water separating cartridge filter. The engines use the diesel delivered by the station, so the filter ensures their protection. It separates and absorbs the water in the delivered diesel.

Art. 094-5250-030



**Art. 094-5250-030 Water separating delivery filter for diesel 70 l/min 30 μ**

Inlet-outlet connection F1"

**Art. 094-5251-030 Water separating cartridge diesel for filter 70 l/min**

dimensions 75x138 mm  
filtering capacity 30 μ

Art. 094-5250-005



**Art. 094-5250-005 Impurities filter for diesel 70 l/min 5 μ**

Inlet-outlet connection F1"

**Art. 094-5251-005 Impurities paper cartridge for filter 70 l/min**

dimensions 75x138 mm  
filtering capacity 5 μ

Art. 094-5255-125



**Art. 094-5255-125 Delivery filter with stainless steel cartridge for diesel 100 l/min**

Inlet-outlet connection F1"

filtering capacity 125 μ

**Art. 094-5256-125 Stainless steel cartridge for diesel filter 100 l/min**

dimensions 75x110 mm  
filtering capacity 125 μ



**Art. 094-5300-060 Headboard filter holder**

Flow rate 60/70 l/min

**Art. 094-5300-100 Headboard filter holder**

Flow rate 100/150 l/min

Ref.	Fluid type	Flow rate l/min	Filtering capacity	Inlet BSPG	Weight Kg	Packaging mm
094-5250-005	Diesel	70	5	F 1" - F 1"	1,50	300X180X150
094-5250-030	Diesel	70	30	F 1" - F 1"	1,50	300X180X150
094-5251-005	Diesel	70	5	-	0,50	100X100X150
094-5251-030	Diesel	70	30	-	0,50	100X100X150
094-5255-125	Diesel	100	125	F 1" - F 1"	1,50	300X180X150
094-5256-125	Diesel	100	125	-	0,75	100X100X150
094-5300-060	Diesel	60/70	-	F 1" - F 1"	0,60	200X170X115
094-5300-100	Diesel	100/150	-	F 1" - F 1"	0,85	200X170X115



# SUCTION HOSE KITS FOR DIESEL



**Art. 095-5284-000 Telescopic suction tube with foot valve**  
495<885 mm lenght  
Inlet BSP-G M 1"



**Art. 095-5430-020 Suction kit with PVC hose**  
Spiral PVC hose, Ø 25 2 m lenght  
Plastic filter F1" with rubber holder Ø 25  
Screw clamps 25x37



**Art. 095-5440-020 Suction kit with PVC hose**  
Spiral PVC hose, Ø 25 2 m lenght  
Plastic foot valve F1" with filter  
Rubber holder Ø 25 - M 1"  
Screw clamps 25x37



**Art. 095-5440-040 Suction kit with PVC hose**  
Spiral PVC hose, Ø 25 4 m lenght  
Plastic foot valve F1" with filter  
Rubber holder Ø 25 - M 1"  
Screw clamps 25x37



**Art. 095-5450-020 Suction kit with PVC hose**  
Spiral PVC hose, Ø 25 2 m lenght  
Brass foot valve F1" with stainless steel filter  
Rubber holder Ø 25 - M 1"  
Screw clamps 25x37



**Art. 095-5450-040 Suction kit with PVC hose**  
Spiral PVC hose, Ø 25 4 m lenght  
Brass foot valve F1" with stainless steel filter  
Rubber holder Ø 25 - M 1"  
Screw clamps 25x37



**Art. 912-0600-500 Spiral PVC hose Ø25X35 50 m lenght**

Ref.	Hose lenght	Dimensions	Inlet-outlet	Weight
	m	mm	BSPG	Kg

<b>095-5285-000</b>	604<1020 mm	25X37	F 1" - F 1"	1,1
<b>095-5430-020</b>	2	25X35	F 1" - F 1"	0,8
<b>095-5440-020</b>	2	25X35	F 1" - F 1"	1,0
<b>095-5440-040</b>	4	25X35	F 1" - F 1"	1,5
<b>095-5450-020</b>	2	25X35	F 1" - F 1"	1,1
<b>095-5450-040</b>	4	25X35	F 1" - F 1"	1,6
<b>912-0600-500</b>	50	25x35	Ø25	11,5

## ANTISTATIC RUBBER HOSES FOR DIESEL

### Antistatic rubber hose 10 bar with connections



Ref.	Hose Length	Ø hose	Dimensions	Inlet-outlet	Weight	Packaging
	m	G	mm	BSPG	Kg	mm

908-0516-020	2	3/4"	19x27	M 1" - M 1"	1,1	400X400X100
908-0516-040	4	3/4"	19x27	M 1" - M 1"	1,9	400X400X100
908-0516-060	6	3/4"	19x27	M 1" - M 1"	2,6	400X400X100
908-0516-100	10	3/4"	19x27	M 1" - M 1"	4,2	400X400X150
908-0506-100	10	3/4"	19x27	F 1" - M 1"	4,2	400X400X150
908-0506-150	15	3/4"	19x27	F 1" - M 1"	6,2	400X400X200
908-0506-200	20	3/4"	19x27	F 1" - M 1"	8,2	400X400X200
908-0506-300	30	3/4"	19x27	F 1" - M 1"	12,2	400X400X250
908-0506-400	40	3/4"	19x27	F 1" - M 1"	16,2	400X400X250

### Antistatic rubber hose 10 bar with connections



Ref.	Hose length	Ø hose	Dimensions	Inlet-outlet	Weight	Packaging
	m	G	mm	BSPG	Kg	mm

908-0616-020	2	1"	25X35	M 1" - M 1"	1,5	400X400X100
908-0616-040	4	1"	25X35	M 1" - M 1"	2,8	400X400X150
908-0616-060	6	1"	25X35	M 1" - M 1"	4,2	400X400X150
908-0616-100	10	1"	25X35	M 1" - M 1"	6,8	500X500X200
908-0606-100	10	1"	25X35	F 1" - M 1"	6,8	500X500X200
908-0606-150	15	1"	25X35	F 1" - M 1"	10,1	500X500X200
908-0606-200	20	1"	25X35	F 1" - M 1"	13,4	500X500X200
908-0606-300	30	1"	25X35	F 1" - M 1"	20	500X500X200

### Antistatic rubber hose 10 bar



Ref.	Hose length	Ø hose	Dimensions	Inlet-outlet	Weight	Packaging
	m	G	mm	BSPG	Kg	mm

908-0500-600	60	3/4"	19X27	-	24	-
908-0600-500	50	1"	25X35	-	33	-



**Art. 099-6030-025 Plastic filter with rubber holder Ø 25**



**Art. 099-6020-006 Plastic foot valve with filter F 1"**



**Art. R35-0200-006 Brass foot valve F 1" with stainless steel filter**



**Art. R34-0100-006 Stainless steel filter M 1"**



**Art. R18-0855-206 Brass rubber holder M 1" x 20 mm**



**Art. R18-0855-256 Brass rubber holder M 1" x 25 mm**



**Art. R18-1211-006 L shaped elbow 90° F-F1"**  
chromed brass



**Art. R18-1210-006 L shaped elbow 90° M-F1"**  
chromed brass



**Art. R18-0302-606 Cylindrical nipple 1" x 1"**



**Art. R18-0302-605 Cylindrical nipple 1" x 3/4"**



**Art. R18-0502-605 Exagonal bushing M 1" - F 3/4"**



**Art. 095-5280-609 Quick coupling for pump fixing M 1" - M 2"**



**Art. F90-1000-030 Aluminium elbow flange 90° F-F 1" with O-ring**



**Art. F90-1010-006 Aluminium flange 1" d.80 with O-ring**



**Art. F90-6690-606 Swiveling joint M 1" / F 1"**

# FIXED VARNISHED HOSE REELS FOR DIESEL 10 bar



The automatic varnished steel hose reels with spring are suitable to hold flexible hoses for diesel delivery. They allow to unroll only the necessary hose length, improving their functionality.

## Equipped with:

- Antistatic black rubber hose 10 bar
- Galvanized connections
- Galvanized swiveling joint 90°
- Viton seals

**F-460**



Ref.	Flow rate	Hose length	Ø hose	Inlet-Outlet
	l/min	m	G	
<b>070-1308-500</b>	80	<b>without hose</b>	-	F3/4"G-M1"G
<b>070-1308-508</b>	80	<b>8</b>	3/4"	F3/4"G-M1"G

**F-550**



Ref.	Flow rate	Hose length	Ø hose	Inlet-Outlet
	l/min	m	G	
<b>070-1408-600</b>	95	<b>without hose</b>	-	F1"G - M1"G
<b>070-1408-510</b>	85	<b>10</b>	3/4"	F1"G - M1"G
<b>070-1408-515</b>	85	<b>15</b>	3/4"	F1"G - M1"G
<b>070-1408-610</b>	93	<b>10</b>	1"	F1"G - M1"G

**F-555**



Ref.	Flow rate	Hose length	Ø hose	Inlet-Outlet
	l/min	m	G	
<b>070-1508-600</b>	95	<b>without hose</b>	-	F1"G - M1"G
<b>070-1508-520</b>	83	<b>20</b>	3/4"	F1"G - M1"G
<b>070-1508-615</b>	90	<b>15</b>	1"	F1"G - M1"G

**F-560**



Ref.	Flow rate	Hose length	Ø hose	Inlet-Outlet
	l/min	m	G	
<b>070-1608-600</b>	95	<b>without hose</b>	-	F1"G - M1"G
<b>070-1608-530</b>	80	<b>30</b>	3/4"	F1"G - M1"G
<b>070-1608-540</b>	75	<b>40</b>	3/4"	F1"G - M1"G
<b>070-1608-620</b>	87	<b>20</b>	1"	F1"G - M1"G
<b>070-1608-630</b>	85	<b>30</b>	1"	F1"G - M1"G

## SWIVELLING VARNISHED HOSE REELS FOR DIESEL 10 bar

The automatic varnished steel hose reels with spring are suitable to hold flexible hoses for diesel delivery. They allow to unroll only the necessary hose length, improving their functionality. The rewinding of the hose is fast and safe and it allows to have a free and tidy work place, with ready-to-use equipment, ensuring high safety to workers.

### S-460



Ref.	Flow rate	Hose length	Ø hose	Inlet-Outlet
	l/min	m	G	
<b>071-1308-500</b>	80	<b>without hose</b>	-	F3/4"G-M1"G
<b>071-1308-508</b>	80	<b>8</b>	3/4"	F3/4"G-M1"G

### S-550



Ref.	Flow rate	Hose length	Ø hose	Inlet-Outlet
	l/min	m	G	

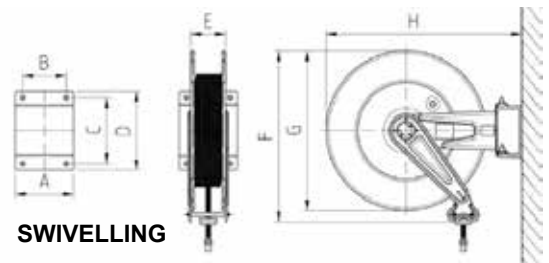
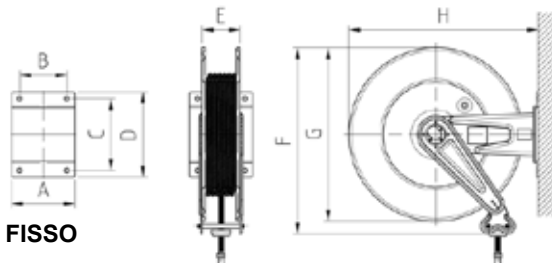
<b>071-1408-600</b>	95	<b>without hose</b>	-	F1"G - M1"G
<b>071-1408-510</b>	85	<b>10</b>	3/4"	F1"G - M1"G
<b>071-1408-515</b>	85	<b>15</b>	3/4"	F1"G - M1"G
<b>071-1408-610</b>	93	<b>10</b>	1"	F1"G - M1"G

### S-555



Ref.	Flow rate	Hose length	Ø hose	Inlet-Outlet
	l/min	m	G	

<b>071-1508-600</b>	95	<b>without hose</b>	-	F1"G - M1"G
<b>071-1508-520</b>	83	<b>20</b>	3/4"	F1"G - M1"G
<b>071-1508-615</b>	90	<b>15</b>	1"	F1"G - M1"G



### OVERALL DIMENSIONS

Mod.	A	B	C	D	E	F	G	H	Kg	Packaging (mm)
F-460	158	120	168	192	95	480	460	500	16,50<19,50	595X265X605
F-550	200	150	225	270	120	590	550	600	22,00<45,00	655X315X700
F-555	250	200	225	270	170	590	550	600	26,00<53,00	655X365X700
F-560	440	390	225	270	360	590	550	600	33,00<83,00	655X555X700
S-460	150	120	168	196	95	480	460	575	17,50<24,00	595X265X605
S-550	200	150	225	270	120	590	550	680	23,00<45,00	655X315X700
S-555	250	200	225	270	170	590	550	680	27,00<54,00	655X365X700

# FIXED STAINLESS STEEL HOSE REELS FOR DIESEL 10 bar



The automatic stainless steel AISI 304 hose reels with spring are suitable to hold flexible hoses for diesel delivery. They allow to unroll only the necessary hose length, improving their functionality.

## Equipped with:

Antistatic black rubber hose 10 bar

Stainless steel connection

Stainless steel swivellin joint 90° AISI 316

Viton seals

### FX-460



Ref.	Flow rate	Hose lenght	Ø hose	Inlet-Outlet
	l/min	m	G	
<b>070-2308-500</b>	80	<b>without hose</b>	-	F3/4"G-M1"G
<b>070-2308-508</b>	80	<b>8</b>	3/4"	F3/4"G-M1"G

### FX-550



Ref.	Flow rate	Hose lenght	Ø hose	Inlet-Outlet
	l/min	m	G	

<b>070-2408-600</b>	95	<b>without hose</b>	-	F1"G - M1"G
<b>070-2408-510</b>	85	<b>10</b>	3/4"	F1"G - M1"G
<b>070-2408-515</b>	85	<b>15</b>	3/4"	F1"G - M1"G
<b>070-2408-610</b>	93	<b>10</b>	1"	F1"G - M1"G

### FX-555



Ref.	Flow rate	Hose lenght	Ø hose	Inlet-Outlet
	l/min	m	G	

<b>070-2508-600</b>	95	<b>without hose</b>	-	F1"G - M1"G
<b>070-2508-520</b>	83	<b>20</b>	3/4"	F1"G - M1"G
<b>070-2508-615</b>	90	<b>15</b>	1"	F1"G - M1"G

### FX-560



Ref.	Flow rate	Hose lenght	Ø hose	Inlet-Outlet
	l/min	m	G	

<b>070-2608-600</b>	95	<b>without hose</b>	-	F1"G - M1"G
<b>070-2608-530</b>	80	<b>30</b>	3/4"	F1"G - M1"G
<b>070-2608-540</b>	75	<b>40</b>	3/4"	F1"G - M1"G
<b>070-2608-620</b>	87	<b>20</b>	1"	F1"G - M1"G
<b>070-2608-630</b>	85	<b>30</b>	1"	F1"G - M1"G

The automatic stainless steel AISI 304 hose reels with spring are suitable to hold flexible hoses for diesel delivery. They allow to unroll only the necessary hose length, improving their functionality. The rewinding of the hose is fast and safe and it allows to have a tidy and free work place, with ready-to-use equipment, ensuring high safety to workers.

## SX-460



Ref.	Flow rate	Hose lenght	Ø hose	Inlet-Outlet
	l/min	m	G	
<b>071-2308-500</b>	80	<b>without hose</b>	-	F3/4"G-M1"G
<b>071-2308-508</b>	80	<b>8</b>	3/4"	F3/4"G-M1"G

## SX-550



Ref.	Flow rate	Hose lenght	Ø hose	Inlet-Outlet
	l/min	m	G	

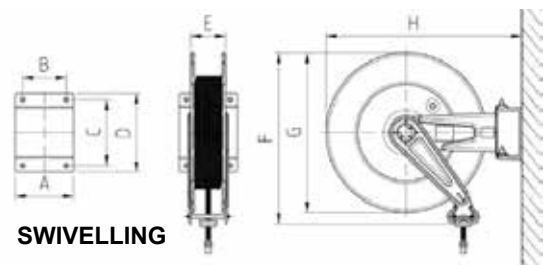
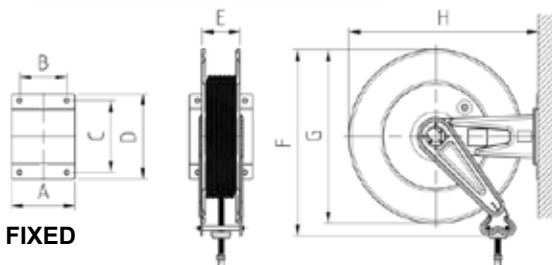
<b>071-2408-600</b>	95	<b>without hose</b>	-	F1"G - M1"G
<b>071-2408-510</b>	85	<b>10</b>	3/4"	F1"G - M1"G
<b>071-2408-515</b>	85	<b>15</b>	3/4"	F1"G - M1"G
<b>071-2408-610</b>	93	<b>10</b>	1"	F1"G - M1"G

## SX-555



Ref.	Flow rate	Hose lenght	Ø hose	Inlet-Outlet
	l/min	m	G	

<b>071-2508-600</b>	95	<b>without hose</b>	-	F1"G - M1"G
<b>071-2508-520</b>	83	<b>20</b>	3/4"	F1"G - M1"G
<b>071-2508-615</b>	90	<b>15</b>	1"	F1"G - M1"G



## OVERALL DIMENSIONS

Mod.	A	B	C	D	E	F	G	H	Kg	Packaging (mm)
FX-460	158	120	168	192	95	480	460	500	16,5<19,5	595X265X605
FX-550	200	150	225	270	120	590	550	600	22<45	655X315X700
FX-555	250	200	225	270	170	590	550	600	26<53	655X365X700
FX-560	440	390	225	270	360	590	550	600	33<83	655X555X700
SX-460	150	120	168	196	95	480	460	575	17,5<24	595X265X605
SX-550	200	150	225	270	120	590	550	680	23<45	655X315X700
SX-555	250	200	225	270	170	590	550	680	27<54	655X365X700



# JERRY CANS FOR FUEL TRANSFER



Steel cans made of cold-laminated steel 0,7mm and 0,8mm, treated to prevent rusting, suitable for fuel and lubricants transfer, external covering standard green color RAL 9007.



**Art. 096-3905-000 Painted jerry can 5 l**  
 Colour green RAL 9007  
 Certified UN-LNE-CE  
 Quantity per box: 8 pcs



**Art. 096-3910-000 Painted steel jerry can 10 l**  
 Colour green RAL 9007  
 Certified UN-LNE-CE  
 Quantity per box: 5 pcs



**Art. 096-3920-000 Painted steel jerry can 20 l**  
 Colour green 9007  
 Certified UN-LNE-CE  
 Quantity per box: 4 pcs



**Art. 096-3922-000 Rigid transfer filler with filter**  
 For jerry cans of 5, 10, 20 l

**Art. 096-3923-000 Rigid transfer filler with filter**  
 For jerry cans of 5, 10, 20 l

Ref.	Capacity	Quantity for box	Weight	Packaging
	l	Pz.	Kg	mm

096-3905-000	5	8	1,6	590X500X290
096-3910-000	10	5	3	850X360X290
096-3920-000	20	4	3,8	690X350X480
096-3922-000	-	1	0,25	-
096-3923-000	-	1	0,19	-

Suitable for the distribution of the fuel, lubricants and gasoline. They are pre-arranged to be applied directly to the pump tank.



**Art. 027-1325-000 Oil and diesel fuel transfer pump**  
Delivery capacity 0,30 l/stroke  
Telescopic shank for 30/220 l barrels



**Art. 027-1330-000 Oil and diesel fuel transfer pump**  
Delivery capacity 0,30 l/stroke  
Telescopic shank for 30/220 l barrels



**Art. 027-3705-000 Aluminium rotary barrel pump**  
Delivery capacity 0,27 l/revolution  
Shank for 30/220 l barrels  
Suitable for diesel, lubricants and gasoline transfer



**Art. 027-3710-000 Aluminium rotary barrel pump H.D.**  
Delivery capacity 80 l/min  
With suction hose and 2" adaptor  
for the connection to the barrels  
Delivery hose 1,80 m length  
Suitable for diesel, lubricants and gasoline transfer

Ref.	Fluid type	Flow rate l/min	Weight kg	Packaging mm
------	------------	-----------------	-----------	--------------

<b>027-1325-000</b>	Diesel	<b>0,30 stroke</b>	2,37	500X160X70
<b>027-1330-000</b>	Diesel	<b>0,30 stroke</b>	2,24	300X150X100
<b>027-3705-000</b>	Diesel, gasoline and lubricants	<b>0,27revolution</b>	1,87	157X180X365
<b>027-3710-000</b>	Diesel, gasoline and lubricants	<b>80 l/min</b>	5,5	310X195X225

# KIT ELECTRIC PUMPS FOR GASOLINE TRANSFER



Kit for fuel transfer from barrels and tank under directives ATEX/IECEEx, with electric vane pumps 12V - 230V. Composed by metal telescopic suction hose, quick coupling 2” with filter for the connection with the barrel and the nozzle holder bracket to ease the distributor use.



### “Benz Kit” series composed by:



**Art. 091-5800-050** Electric pump 230V 50Hz 50 l/min ATEX  
Power cable 2 m length, Schuko plug

**Art. 091-5801-050** Electric pump 12V 50 l/min ATEX  
Power cable 2 m length, with pincers and protection fuse



**Art. 918-0500-040** Antistatic connection rubber hose  
EN 12115 ATEX D.19x31 4 m length



**Art. 095-5284-000** Telescopic suction hose with foot valve  
M 1” 495<885 mm length



**Art. 093-5204-150** Manual nozzle SELF3000 Flow rate 150 l/min



**Art. 093-5321-080** Automatic nozzle ZVA80 Flow rate 80 l/min




**Art. 093-5300-000** Nozzle holder bracket



**Art. 095-5280-609** Quick coupling for pump fixing M 1” - M 2”

# KIT ELECTRIC PUMPS FOR GASOLINE TRANSFER “Benz Kit”



Ref.	Descrip.	Flow rate	Voltage	Power	Inlet-Outlet	Conn. hose	Nozzle	Duty cycle	Weight	Packaging
		l/min	AC V./Hz DC Volt	W	BSPG	Ø		ON/OFF min	kg	mm

<b>090-5600-050</b>	Benz Kit	<b>50</b>	230/50	250	F1" - F1"	20	Manual	30/30	14,00	410X400X320
<b>090-5600-Y50</b>	Benz Kit	<b>50</b>	12	250	F1" - F1"	20	Manual	30/60	14,00	410X400X320

<b>090-5601-050</b>	Benz Kit	<b>50</b>	230/50	250	F1" - F1"	20	Aut.ZVA80	30/30	14,50	410X400X320
<b>090-5601-Y50</b>	Benz Kit	<b>50</b>	12	250	F1" - F1"	20	Aut.ZVA80	30/60	14,50	410X400X320

Kit for fuel transfer from barrels and tanks under directives ATEX/IECEX, with electric vane pumps 12V - 230V. Composed by metal telescopic suction hose, quick coupling 2” with filter for the connection with the barrel and the nozzle holder bracket to ease the distributor use.



### “Benz Kit” series composed by:



**Art. 091-5800-050** Electric pump 230V 50Hz 50 l/min ATEX  
Power cable 2 m length, Schuko plug

**Art. 091-5801-050** Electric pump 12V 50 l/min ATEX  
Power cable 2 m length, with pincers and protection fuse



**Art. 918-0500-040** Antistatic connection rubber hose  
EN 12115 ATEX D.19x31 4 m length



**Art. 095-5284-000** Telescopic suction hose with foot valve  
M 1” 495<885 mm length



**Art. 093-5204-150** Manual nozzle SELF3000 Flow rate 150 l/min



**Art. 093-5321-080** Automatic nozzle ZVA80 Flow rate 80 l/min



**Art. 094-5240-000** Water separating delivery filter for gasoline 70 l/min




**Art. 093-5300-000** Nozzle holder bracket



**Art. 095-5280-609** Quick coupling for pump fixing M 1” - M 2”

# KIT ELECTRIC PUMPS FOR GASOLINE TRANSFER "Benz Kit"



Ref.	Descrip.	Flow rate	Voltage	Power	Inlet-Outlet	Conn. hose	Nozzle	Duty cycle	Weight	Packaging
		l/min	AC V./Hz DC Volt	W	BSPG	Ø		ON/OFF min	kg	mm

<b>090-5602-050</b>	Benz Kit	<b>50</b>	230/50	250	F1" - F1"	20	Manual	30/30	15,00	410X400X320
<b>090-5602-Y50</b>	Benz Kit	<b>50</b>	12	250	F1" - F1"	20	Manual	30/60	15,00	410X400X320

<b>090-5603-050</b>	Benz Kit	<b>50</b>	230/50	250	F1" - F1"	20	Aut.ZVA80	30/30	15,50	410X400X320
<b>090-5603-Y50</b>	Benz Kit	<b>50</b>	12	250	F1" - F1"	20	Aut.ZVA80	30/60	15,50	410X400X320

Kit for fuel transfer from barrels and tanks under directives ATEX/IECEX, with electric vane pumps 12V - 230V. Composed by metal telescopic suction hose, quick coupling 2” with filter for the connection with the barrel and the nozzle holder bracket to ease the distributor use.



### “Benz Kit” series composed by:



**Art. 091-5800-050** Electric pump 230V 50Hz 50 l/min ATEX  
Power cable 2 m length, Schuko plug

**Art. 091-5801-050** Electric pump 12V 50 l/min ATEX  
Power cable 2 m length, with pincers and protection fuse



**Art. 918-0500-040** Antistatic connection rubber hose  
EN 12115 ATEX D.19x31 4 m length



**Art. 095-5284-000** Telescopic suction hose with foot valve  
M 1” 495<885 mm length



**Art. 092-5160-000** Mechanical flow meter for gasoline ATEX  
min-max Flow rate 20-120 l/min



**Art. 093-5204-150** Manual nozzle SELF3000 Flow rate 150 l/min



**Art. 093-5321-080** Automatic nozzle ZVA80 Flow rate 80 l/min



**Art. 094-5240-000** Water separating delivery filter for gasoline 70 l/min



**Art. 093-5300-000** Nozzle holder bracket





**Art. 095-5280-609** Quick coupling for pump fixing M 1” - M 2”



# KIT ELECTRIC PUMPS FOR GASOLINE TRANSFER "Benz Kit"



Ref.	Descrip.	Flow rate	Voltage	Power	Inlet-Outlet	Conn. hose	Nozzle	Flow meter	Duty cycle	Weight	Packaging
		l/min	AC V./Hz DC Volt	W	BSPG	∅			ON/OFF min	kg	mm
<b>090-5604-050</b>	Benz Kit	<b>50</b>	230/50	250	F1" - F1"	20	Manual	YES	30/30	17,00	550X400X320
<b>090-5604-Y50</b>	Benz Kit	<b>50</b>	12	250	F1" - F1"	20	Manual	YES	30/60	17,00	550X400X320
<b>090-5605-050</b>	Benz Kit	<b>50</b>	230/50	250	F1" - F1"	20	Aut.ZVA80	YES	30/30	17,50	550X400X320
<b>090-5605-Y50</b>	Benz Kit	<b>50</b>	12	250	F1" - F1"	20	Aut.ZVA80	YES	30/60	17,50	550X400X320

Rigid polyethylene tank for gasoline transport for private use in total ADR exemption (see ADR Regulations at page 180) . Aluminium filling plug with built-in safety valve, in-line filter for suction, transfer group, automatic lockable nozzle. Equipped with volumetric pump ATEX version, earthing cable with pincer, cables 4 m length for the connection to the battery and 4 m length flexible hose for fuel. Reinforced and lockable lid.



## “Benz-Tank” series composed by:



**Art. 090-7220-000** Tank 220 l without pumps



**Art. 091-5801-050** Electric pump 12V 50 l/min ATEX  
Power cable 2 m length, with pincers and protection fuse



**Art. 092-5161-000** Digital flow meter for gasoline ATEX  
min-max Flow rate 7-120 l/min

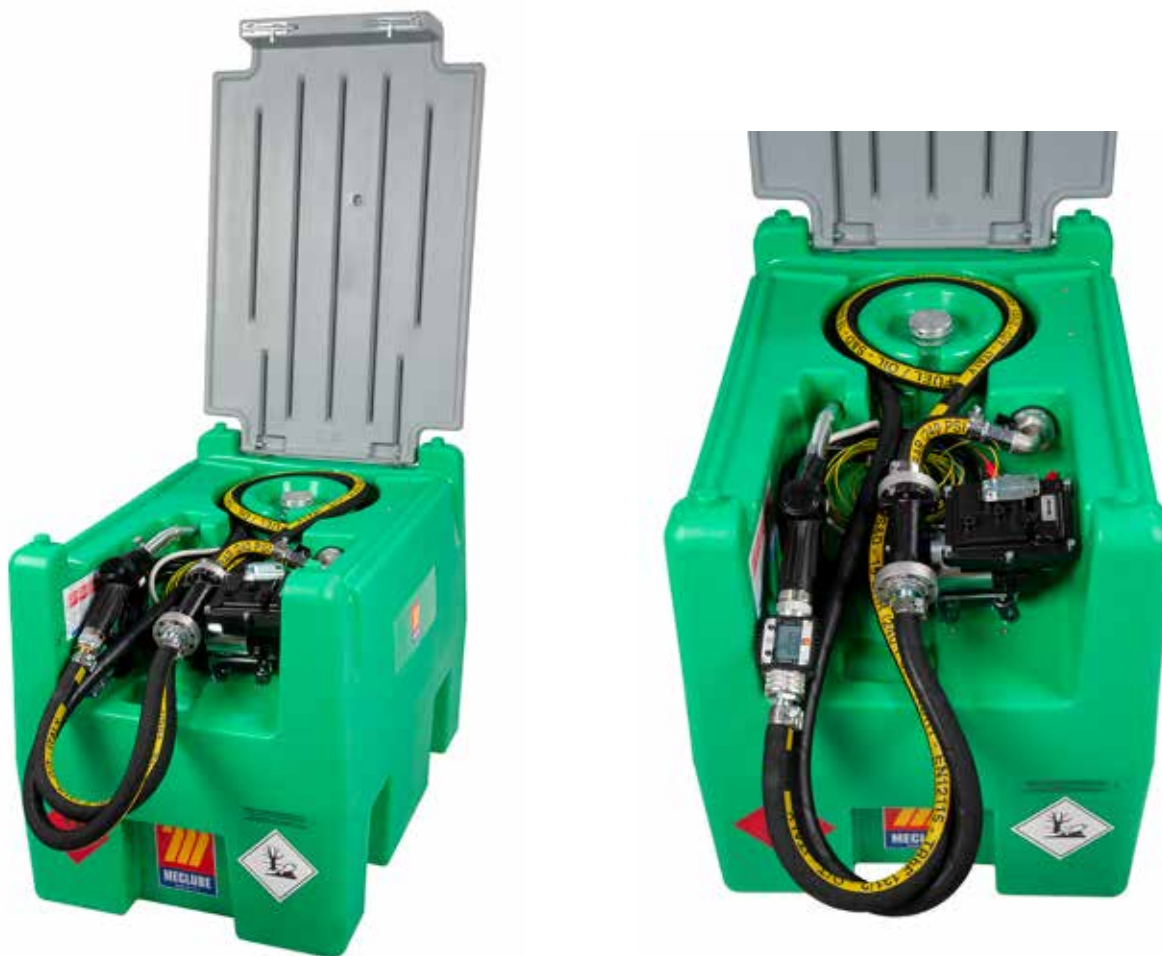




**Art. 918-0500-040** Antistatic connection rubber hose  
EN 12115 ATEX D.19x31 4 m length



**Art. 093-5321-080** Automatic nozzle ZVA80 Flow rate 80 l/min

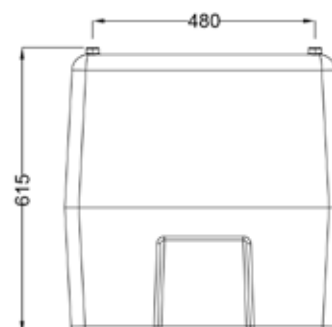
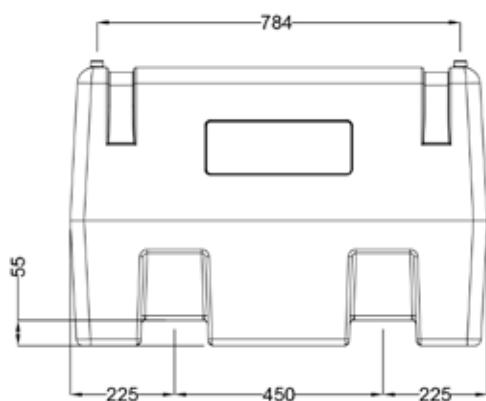
# POLYETHYLENE TANK FOR GASOLINE TRANSPORT "Benz-Tank"



Ref.	Descrip.	Flow rate	Voltage	Power	Inlet-outlet	Conn. hose	Nozzle	Flow meter	Duty cycle	Weight	Packaging
		l/min	AC V./Hz DC Volt	W	BSPG	Ø			min	Kg	mm

<b>090-7220-012</b>	Benz-Tank	<b>50</b>	12	250	F1" - F1"	19	Aut. ZVA80	NO	30/60	24,00	910X600X665
---------------------	-----------	-----------	----	-----	-----------	----	---------------	----	-------	-------	-------------

<b>090-7221-012</b>	Benz-Tank	<b>50</b>	12	250	F1" - F1"	19	Aut. ZVA80	YES	30/60	24,30	910X600X665
---------------------	-----------	-----------	----	-----	-----------	----	---------------	-----	-------	-------	-------------



Rigid polyethylene tank for gasoline transport for private and professional in total exemption ADR (see ADR Regulations at page 180), perfect for refuelling of small operative vehicles, light-duty or recreational vehicles. It is equipped with run-flat wheels and suitable for moving on any ground. They have compact dimension for easy moving. Every box can be filled vertically or horizontally, with the same fuel quantity. Provided with nozzle holder bracket, sphere relief valve with swiveling joint, filling plug with anti-spill vent valve.



“Caddy” series composed by:

**Art. 090-7055-M00** Wheeled Caddy tank 55 l gasoline



**Art. 027-3720-000** Aluminium manual rotary pump



**Art. 908-0500-040** Antistatic rubber hose Ø 20 mm 4 m lenght




**Art. 093-5204-150** Automatic nozzle SELF3000 Flow rate 150 l/min

# TANK FOR GASOLINE TRANSPORT “Caddy”



55 l

Ref.	Descrip.	Capacity for 100 revolutions		Width mm	Depth mm	Height mm	Nozzle 	Weight kg	Packaging mm
		l	USG						
<b>090-7055-M00</b>	Caddy 55 l	<b>38</b>	10	460	360	900	Manual	9,00	1000X500X500

Electric pumps 12V e 230V suitable for per inflammable fuel transfer such as gasoline, kerosene and diesel, with internal protection integrated in the winding. The electric pumps for gasoline transfer fulfill the standards of ATEX / IECEX directives regarding the use of materials in potentially explosive atmospheres (see ATEX Regulations at page 179).



**Art. 091-5800-050**  
**Electric pump ATEX for gasoline transfer**  
**230V-50Hz Flow rate 50l/min**

- Power cable 2 m length, Schuko plug
- Cast iron body
- High efficiency engine with reduced absorption
- Suppressor (electromagnetic compatibility EMC)
- Built-in by-pass valve
- Thermic protection

**Art. 091-5801-050**  
**Electric pump ATEX for gasoline transfer**  
**12V Flow rate 50l/min**

- Power cable 2 m length, with pincers and protection fuse
- Cas iron body
- High efficiency engine with reduced absorption
- Suppressor (electromagnetic compatibility EMC)
- Built-in by-pass valve
- Thermic protection

Ref.	Flow rate	Voltage	Power	Electricity	Power cable length	Inlet-Outlet	Duty cycle	Weight	Packaging
	l/min	AC V./Hz DC Volt	W	A	m	BSPG	ON/OFF min	kg	mm

<b>091-5800-050</b>	<b>50</b>	230/50	250	1,2	2	F 1"-F 1"	30/30	8,80	390X195X260
---------------------	-----------	--------	-----	-----	---	-----------	-------	------	-------------

<b>091-5801-050</b>	<b>50</b>	12	250	21	2	F 1"-F 1"	30/60	8,80	390X195X260
---------------------	-----------	----	-----	----	---	-----------	-------	------	-------------

Flow meter for private use for the measurement of dispensed quantity of gasoline, kerosene and diesel. The articles fulfill the the standards ATEX / IECEx directives regarding the use of materials in potentially explosive atmospheres (see ATEX Regulations at page 179). Available in mechanical and digital version.



**Art. 092-5160-000 Mechanical flow meter for gasoline ATEX**  
min-max Flow rate 20-120 l/min

6 digits totalizer  
3 digits partial totalizer  
Allowed fluids: Gasoline  
Measurement unit: l (liters), G (U.S. gallons),  
Q (Quarters), P (Pints)



**Art. 092-5161-000 Digital flow meter ATEX**  
min-max Flow rate 7-120 l/min

6 digits totalizer  
5 digits partial totalizer  
Allowed fluids: Gasoline, diesel, kerosene  
Measurement unit: l (liters), G (U.S. gallons),  
Q (Quarters), P (Pints)



**Art. 093-5204-150 Manual nozzle SELF3000 150 l**  
for gasoline transfer

Flow rate 150 l/min  
Plastic body with aluminium ends  
Swiveling joint F 1"



**Art. 093-5321-080 Automatic nozzle ZVA80**  
for gasoline transfer

Flow rate 80 l/min  
Aluminium body  
Swiveling joint F 1"

Ref.	Flow rate	Pressure	Accuracy	Inlet-outlet	Weight	Packaging
	l/min	bar	%	BSPG	Kg	mm

092-5160-000	20-120	3,5	+/- 1	F 1" - F 1"	2,15	240X190X190
092-5161-000	7-120	20	+/- 1	M 1" - F 1"	0,6	115X160X135

Ref.	Model	Fluid	Flow rate	Inlet	Weight	Ø End	Packaging
		type	l/min	BSPG	Kg	mm	mm

093-5204-150	SELF3000	Gasoline	<b>150</b>	F 1"	1,00	20,00	400X175X57
093-5321-080	ZVA80	Gasoline	<b>80</b>	F 1"	1,20	20,50	400X175X57







Electric diaphragm self-priming kit pump for AdBlue® for filling vehicles from the IBC tanks. The stainless steel support bracket allows the kit's fixing to the safety metal grid.

### “Kit AdBlue® IBC” series composed by:



**Art. 098-6500-230** Diaphragm electric pump for AdBlue® 230V 50 Hz 40 l/min cable 2 m length



**Art. 098-6500-115** Diaphragm electric pump for AdBlue® 115V 60 Hz 40 l/min cable 2 m length



**Art. 098-6500-012** Diaphragm electric pump for AdBlue® 12V 34 l/min cable 4 m length with pincers



**Art. 099-6600-000** Suction connections SEC



**Art. 099-6010-000** External suction connections for IBC S60X6



**Art. 909-0500-060** Antistatic rubber hose EPDM 20 bar G 3/4” 6 m length (19x29)



**Art. 911-0500-011** PVC spiral suction hose d.20x25 1,1 m length



**Art. 099-6500-000** Suction hose with plug he2” BSP SEC connection



**Art. 099-5199-000** Manual plastic nozzle “AD90” Flow rate 90 l/min



**Art. 099-5205-000** Automatic plastic nozzle with stainless steel end “AP80” 80 l/min

### OPTIONAL:



**Art. 099-5240-020** AdBlue® filter 20µ 60 l/min



# ELECTRIC AdBlue® KIT FOR IBC



**SEC**



**S60x6**

Ref.	Descrip.	Flow rate	Voltage	Power	Inlet-outlet	Conn. hose	Nozzle	Adaptor	Weight	Packaging
		l/min	AC V./ Hz DC Volt	W	BSPG	Ø			kg	mm

<b>097-5500-230</b>	Kit AdBlue	<b>40</b>	230/50	350	3/4"-3/4"	19X29	Man.AD90	SEC	14,20	550X400X320
<b>097-5501-230</b>	Kit AdBlue	<b>40</b>	230/50	350	3/4"-3/4"	19X29	Aut.AP80	SEC	16,20	550X400X320

<b>097-5510-230</b>	Kit AdBlue	<b>40</b>	230/50	350	3/4"-3/4"	19X29	Man.AD90	S60X6	14,20	550X400X320
<b>097-5511-230</b>	Kit AdBlue	<b>40</b>	230/50	350	3/4"-3/4"	19X29	Aut.AP80	S60X6	16,20	550X400X320

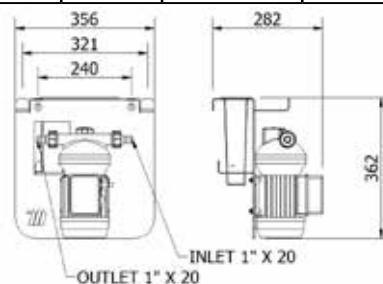
<b>097-5500-115</b>	Kit AdBlue	<b>40</b>	115/60	350	3/4"-3/4"	19X29	Man.AD90	SEC	14,20	550X400X320
<b>097-5501-115</b>	Kit AdBlue	<b>40</b>	115/60	350	3/4"-3/4"	19X29	Aut.AP80	SEC	16,20	550X400X320

<b>097-5510-115</b>	Kit AdBlue	<b>40</b>	115/60	350	3/4"-3/4"	19X29	Man.AD90	S60X6	14,20	550X400X320
<b>097-5511-115</b>	Kit AdBlue	<b>40</b>	115/60	350	3/4"-3/4"	19X29	Aut.AP80	S60X6	16,20	550X400X320

<b>097-5500-012</b>	Kit AdBlue	<b>34</b>	12	200	3/4"-3/4"	19X29	Man.AD90	SEC	12,70	550X400X320
<b>097-5501-012</b>	Kit AdBlue	<b>34</b>	12	200	3/4"-3/4"	19X29	Aut.AP80	SEC	14,70	550X400X320

<b>097-5510-012</b>	Kit AdBlue	<b>34</b>	12	200	3/4"-3/4"	19X29	Man.AD90	S60X6	12,70	550X400X320
<b>097-5511-012</b>	Kit AdBlue	<b>34</b>	12	200	3/4"-3/4"	19X29	Aut.AP80	S60X6	14,70	550X400X320

**PUMP DUTY CYCLE min: S2 20**



Electric diaphragm self-priming kit pump for AdBlue® for filling vehicles from the IBC tanks. The stainless steel support bracket allows the kit's fixing to the safety metal grid.

**“Kit AdBlue® IBC” series composed by:**



**Art. 098-6500-230** Diaphragm electric pump for Adblue® 230V 50 Hz 40 l/min cable 2 m length



**Art. 098-6500-115** Diaphragm electric pump for AdBlue® 115V 60 Hz 40 l/min cable 2 m length



**Art. 098-6500-012** Diaphragm electric pump for AdBlue® 12V 34 l/min cable 4 m length with pincers

**Art. 099-5124-000** Digital flow meter MEC 24 min-max flow rate 5-120 l/min.



**Art. 099-6600-000** Suction connections SEC



**Art. 099-6010-000** External suction connections for IBC S60X6



**Art. 909-0500-060** Antistatic rubber hose EPDM 20 bar G 3/4” 6 m length (19x29)



**Art. 911-0500-011** PVC spiral suction hose d.20x25 1,1 m length



**Art. 099-6500-000** Suction hose 2” BSP SEC connection



**Art. 099-5199-000** Manual plastic nozzle “AD90” Flow rate 90 l/min



**Art. 099-5205-000** Automatic plastic nozzle with stainless steel end “AP80” 80 l/min



**OPTIONAL:**

**Art. 099-5240-020** AdBlue® filter 20µ 60 l/min




# ELECTRIC AdBlue® KIT FOR IBC



**SEC**



**S60x6**

Ref.	Descrip.	Flow rate	Voltage	Power	Inlet-outlet	Conn. hose	Nozzle	Adaptor	Flow meter	Weight	Packaging
		l/min	AC V./ Hz DC Volt	W	BSPG	Ø				kg	mm

<b>097-5600-230</b>	Kit AdBlue	<b>40</b>	230/50	350	3/4"-3/4"	19X29	Man.AD90	SEC	YES	14,70	550X400X320
<b>097-5601-230</b>	Kit AdBlue	<b>40</b>	230/50	350	3/4"-3/4"	19X29	Aut.AP80	SEC	YES	16,70	550X400X320

<b>097-5610-230</b>	Kit AdBlue	<b>40</b>	230/50	350	3/4"-3/4"	19X29	Man.AD90	S60X6	YES	14,70	550X400X320
<b>097-5611-230</b>	Kit AdBlue	<b>40</b>	230/50	350	3/4"-3/4"	19X29	Aut.AP80	S60X6	YES	16,70	550X400X320

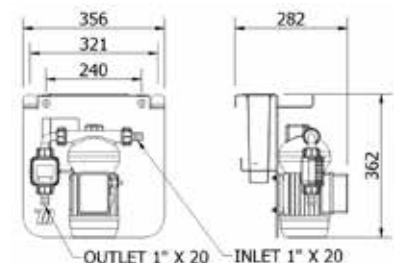
<b>097-5600-115</b>	Kit AdBlue	<b>40</b>	115/60	350	3/4"-3/4"	19X29	Man.AD90	SEC	YES	14,70	550X400X320
<b>097-5601-115</b>	Kit AdBlue	<b>40</b>	115/60	350	3/4"-3/4"	19X29	Aut.AP80	SEC	YES	16,70	550X400X320

<b>097-5610-115</b>	Kit AdBlue	<b>40</b>	115/60	350	3/4"-3/4"	19X29	Man.AD90	S60X6	YES	14,70	550X400X320
<b>097-5611-115</b>	Kit AdBlue	<b>40</b>	115/60	350	3/4"-3/4"	19X29	Aut.AP80	S60X6	YES	16,70	550X400X320

<b>097-5600-012</b>	Kit AdBlue	<b>34</b>	12	200	3/4"-3/4"	19X29	Man.AD90	SEC	YES	13,20	550X400X320
<b>097-5601-012</b>	Kit AdBlue	<b>34</b>	12	200	3/4"-3/4"	19X29	Aut.AP80	SEC	YES	15,20	550X400X320

<b>097-5610-012</b>	Kit AdBlue	<b>34</b>	12	200	3/4"-3/4"	19X29	Man.AD90	S60X6	YES	13,20	550X400X320
<b>097-5611-012</b>	Kit AdBlue	<b>34</b>	12	200	3/4"-3/4"	19X29	Aut.AP80	S60X6	YES	15,20	550X400X320

**PUMP DUTY CYCLE min: S2 20**



Electric diaphragm self-priming kit pump for AdBlue® for filling vehicles from the IBC tanks. The stainless steel support bracket allows the kit's fixing to the safety metal grid.

**“Kit AdBlue® IBC” series composed by:**



**Art. 098-6500-230** Diaphragm electric pump for Adblue® 230V 50 Hz 40 l/min cable 2 m length



**Art. 098-6500-115** Diaphragm electric pump for AdBlue® 115V 60 Hz 40 l/min cable 2 m length



**Art. 098-6500-012** Diaphragm electric pump for AdBlue® 12V 34 l/min cable 4 m length with pincers



**Art. 099-5124-000** Digital flow meter MEC 24 min-max flow rate 5-120 l/min.



**Art. 099-6600-000** Suction connections SEC



**Art. 099-6010-000** External suction connections for IBC S60X6



**Art. 909-0500-060** Antistatic rubber hose EPDM 20 bar G 3/4” 6 m length (19x29)



**Art. 911-0500-011** PVC spiral suction hose d.20x25 1,1 m length



**Art. 099-6500-000** Suction hose 2” BSP SEC connection



**Art. 099-5199-000** Manual plastic nozzle “AD90” Flow rate 90 l/min



**Art. 099-5205-000** Automatic plastic nozzle with stainless steel end “AP80” 80 l/min

**Art. 099-5240-020** AdBlue® filter 20µ 60 l/min




# ELECTRIC AdBlue® KIT FOR IBC



**SEC**



**S60x6**

Ref.	Descrip.	Flow rate	Voltage	Power	Inlet-outlet	Conn. hose	Nozzle	Adaptor	Flow meter	Weight	Packaging
		l/min	AC V./ Hz DC Volt	W	BSPG	Ø				kg	mm

<b>097-5620-230</b>	Kit AdBlue	<b>40</b>	230/50	350	3/4"-3/4"	19X29	Man.AD90	SEC	YES	15,60	550X400X320
<b>097-5621-230</b>	Kit AdBlue	<b>40</b>	230/50	350	3/4"-3/4"	19X29	Aut.AP80	SEC	YES	17,60	550X400X320

<b>097-5630-230</b>	Kit AdBlue	<b>40</b>	230/50	350	3/4"-3/4"	19X29	Man.AD90	S60X6	YES	15,60	550X400X320
<b>097-5631-230</b>	Kit AdBlue	<b>40</b>	230/50	350	3/4"-3/4"	19X29	Aut.AP80	S60X6	YES	17,60	550X400X320

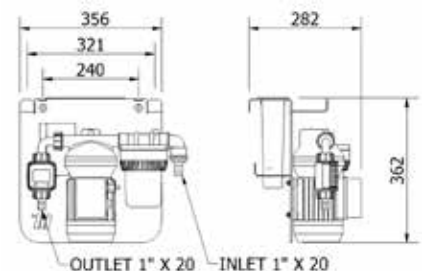
<b>097-5620-115</b>	Kit AdBlue	<b>40</b>	115/60	350	3/4"-3/4"	19X29	Man.AD90	SEC	YES	15,60	550X400X320
<b>097-5621-115</b>	Kit AdBlue	<b>40</b>	115/60	350	3/4"-3/4"	19X29	Aut.AP80	SEC	YES	17,60	550X400X320

<b>097-5630-115</b>	Kit AdBlue	<b>40</b>	115/60	350	3/4"-3/4"	19X29	Man.AD90	S60X6	YES	15,60	550X400X320
<b>097-5631-115</b>	Kit AdBlue	<b>40</b>	115/60	350	3/4"-3/4"	19X29	Aut.AP80	S60X6	YES	17,60	550X400X320

<b>097-5620-012</b>	Kit AdBlue	<b>34</b>	12	200	3/4"-3/4"	19X29	Man.AD90	SEC	YES	14,10	550X400X320
<b>097-5621-012</b>	Kit AdBlue	<b>34</b>	12	200	3/4"-3/4"	19X29	Aut.AP80	SEC	YES	16,10	550X400X320

<b>097-5630-012</b>	Kit AdBlue	<b>34</b>	12	200	3/4"-3/4"	19X29	Man.AD90	S60X6	YES	14,10	550X400X320
<b>097-5631-012</b>	Kit AdBlue	<b>34</b>	12	200	3/4"-3/4"	19X29	Aut.AP80	S60X6	YES	16,10	550X400X320

**PUMP WORKING CYCLE min: S2 20**



AdBlue® Kit suitable for filling vehicles from the barrels. Composed by:  
stainless steel support bracket for barrels fixing, self-priming electric diaphragm pump, manual or automatic nozzle, delivery EPDM hose 6 m length, and suction connections.

## “Barrel Kit” series composed by:



**Art. 098-6500-230** Diaphragm electric pump for AdBlue® 230V 50 Hz 40 l/min cable 2 m length



**Art. 098-6500-115** Diaphragm electric pump for AdBlue® 115V 60 Hz 40 l/min cable 2 m length



**Art. 098-6500-012** Diaphragm electric pump for AdBlue® 12V 34 l/min cable 4 m length with pincers

**Art. 099-6504-000** Suction kit AF2 56x4 1” BSP



**Art. 909-0500-060** Antistatic hose EPDM 20 bar G 3/4” 6 m length (19x29)



**Art. 911-0500-011** PVC spiral suction hose d.20x25 1,1 m length



**Art. 099-5199-000** Manual plastic nozzle “AD90” Flow rate 90 l/min



**Art. 099-5205-000** Automatic plastic nozzle with stainless steel end “AP80” 80 l/min





**Art. 099-6506-000** Adaptor for barrel F 2” BSP - M 56x4



# ELECTRIC PUMPS KIT FOR AdBlue® TRANSFER “Barrel Kit”



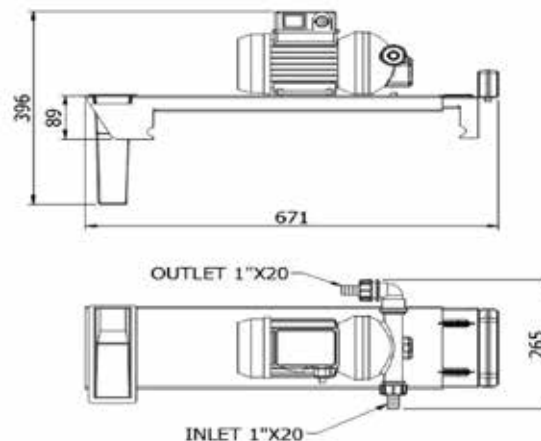
Ref.	Descrip.	Flow rate	Voltage	Power	Inlet-outlet	Conn. hose	Nozzle	Suction kit	Weight	Packaging
		l/min	AC V./Hz DC Volt	W	BSPG	Ø			kg	mm

<b>097-5700-230</b>	Barrel Kit	<b>40</b>	230/50	350	3/4"-3/4"	19X29	Man.AD90	YES	18,00	760X760X265
<b>097-5701-230</b>	Barrel Kit	<b>40</b>	230/50	350	3/4"-3/4"	19X29	Aut.AP80	YES	20,00	760X760X265

<b>097-5700-115</b>	Barrel Kit	<b>40</b>	115/60	350	3/4"-3/4"	19X29	Man.AD90	YES	18,00	760X760X265
<b>097-5701-115</b>	Barrel Kit	<b>40</b>	115/60	350	3/4"-3/4"	19X29	Aut.AP80	YES	20,00	760X760X265

<b>097-5700-012</b>	Barrel Kit	<b>34</b>	12	200	3/4"-3/4"	19X29	Man.AD90	YES	16,45	760X760X265
<b>097-5701-012</b>	Barrel Kit	<b>34</b>	12	200	3/4"-3/4"	19X29	Aut.AP80	YES	18,45	760X760X265

**PUMP DUTY CYCLE min: S2 20**



AdBlue® Kit suitable for filling vehicles from the barrels. Composed by:  
stainless steel support bracket for barrels fixing, self-priming electric diaphragm pump, manual or automatic nozzle, delivery EPDM hose 6 m length, and suction connections

### “Barrel Kit” series composed by:



**Art. 098-6500-230** Diaphragm electric pump for AdBlue® 230V 50 Hz 40 l/min  
cable 2 m length

**Art. 098-6500-115** Diaphragm electric pump for AdBlue® 115V 60 Hz 40 l/min  
cable 2 m length



**Art. 098-6500-012** Diaphragm electric pump for AdBlue® 12V 34 l/min  
cable 4 m length mtwith pincers



**Art. 099-5124-000** Digital flow meter MEC 24 min-max flow rate min-max 5-120 l/min.



**Art. 099-6504-000** Suction kit AF2 56x4 1” BSP



**Art. 909-0500-060** Antistatic hose EPDM 20 bar G 3/4” 6 m length (19x29)



**Art. 911-0500-011** PVC spiral suction hose d.20x25 1,1 m length



**Art. 099-5199-000** Manual plastic nozzle “AD90” Flow rate 90 l/min






**Art. 099-5205-000** Automatic plastic nozzle with stainless steel end “AP80” 80 l/min



**Art. 099-6506-000** Adaptor for barrel F 2” BSP - M 56x4

# ELECTRIC PUMPS KIT FOR Adblue® TRANSFER “Barrel Kit”



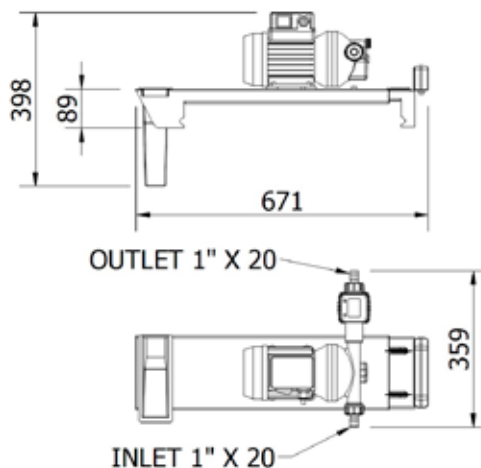
Ref.	Descrip.	Flow rate	Voltage	Power	Inlet-outlet	Conn. hose	Nozzle	Suction kit	Flow meter	Weight	Packaging
		l/min	AC V./Hz DC Volt	W	BSPG	Ø				kg	mm

<b>097-5710-230</b>	Barrel Kit	<b>40</b>	230/50	350	3/4"-3/4"	19X29	Man.AD90	YES	YES	18,30	760X760X265
<b>097-5711-230</b>	Barrel Kit	<b>40</b>	230/50	350	3/4"-3/4"	19X29	Aut.AP80	YES	YES	20,30	760X760X265

<b>097-5710-115</b>	Barrel Kit	<b>40</b>	115/60	350	3/4"-3/4"	19X29	Man.AD90	YES	YES	18,30	760X760X265
<b>097-5711-115</b>	Barrel Kit	<b>40</b>	115/60	350	3/4"-3/4"	19X29	Aut.AP80	YES	YES	20,30	760X760X265

<b>097-5710-012</b>	Barrel Kit	<b>34</b>	12	200	3/4"-3/4"	19X29	Man.AD90	YES	YES	16,75	760X760X265
<b>097-5711-012</b>	Barrel Kit	<b>34</b>	12	200	3/4"-3/4"	19X29	Aut.AP80	YES	YES	18,75	760X760X265

**PUMP DUTY CYCLE min: S2 20**



AdBlue® kit suitable for filling vehicles from the barrels.

Composed by: electric diaphragm self-priming pump, manual or automatic nozzle, delivery EPDM hose 6 m length, suction hose with valve+filter.

### “Portable kit AdBlue®” series composed by:



**Art. 098-6500-230** Diaphragm electric pump for AdBlue® 230V 50 Hz 40 l/min cable 2 m length

**Art. 098-6500-115** Diaphragm electric pump for AdBlue® 115V 60 Hz 40 l/min cable 2 m length



**Art. 098-6500-012** Diaphragm electric pump for AdBlue® 12V 34 l/min cable 4 m length with pincers

**Art. 098-6500-024** Diaphragm electric pump for AdBlue® 24V 34 l/min cable 4 m length with pincers



**Art. 099-6512-015** Kit PVC spiral suction hose d.20x25 1,5 m length



**Art. 909-0500-060** Antistatic hose EPDM 20 bar G 3/4” 6 m length (19x29)





**Art. 099-5199-000** Manual plastic nozzle “AD90” Flow rate 90 l/min



**Art. 099-5205-000** Automatic plastic nozzle with stainless steel end “AP80” 80 l/min

# PORTABLE ELECTRIC PUMPS KIT FOR AdBlue®



Ref.	Descrip.	Flow rate	Voltage	Power	Inlet-outlet	Conn. hose	Nozzle	Adaptor	Weight	Packaging
		l/min	AC V./Hz DC Volt	W	BSPG	Ø			kg	mm

<b>097-5800-230</b>	Portable kit	<b>40</b>	230/50	350	3/4"-3/4"	19X29	Man.AD90	Valve+filter	11,50	410X400X320
<b>097-5801-230</b>	Portable kit	<b>40</b>	230/50	350	3/4"-3/4"	19X29	Aut.AP80	Valve+filter	13,50	410X400X320

<b>097-5800-115</b>	Portable kit	<b>40</b>	115/60	350	3/4"-3/4"	19X29	Man.AD90	Valve+filter	11,50	410X400X320
<b>097-5801-115</b>	Portable kit	<b>40</b>	115/60	350	3/4"-3/4"	19X29	Aut.AP80	Valve+filter	13,50	410X400X320

<b>097-5800-012</b>	Portable kit	<b>34</b>	12	200	3/4"-3/4"	19X29	Man.AD90	Valve+filter	10,00	410X400X320
<b>097-5801-012</b>	Portable kit	<b>34</b>	12	200	3/4"-3/4"	19X29	Aut.AP80	Valve+filter	12,00	410X400X320

<b>097-5800-024</b>	Portable kit	<b>34</b>	24	336	3/4"-3/4"	19X29	Man.AD90	Valve+filter	10,00	410X400X320
<b>097-5801-024</b>	Portable kit	<b>34</b>	24	336	3/4"-3/4"	19X29	Aut.AP80	Valve+filter	12,00	410X400X320

**PUMP DUTY CYCLE min: S2 20**

AdBlue® kit suitable for filling vehicles from the barrels. Composed by: electric diaphragm self-priming pump, manual or automatic nozzle, delivery EPDM hose 6 m length, suction hose with valve+filter.

### “Portable kit AdBlue®” series composed by:



**Art. 098-6500-230** Diaphragm electric pump for AdBlue® 230V 50 Hz 40 l/min cable 2 m length

**Art. 098-6500-115** Diaphragm electric pump for AdBlue® 115V 60 Hz 40 l/min cable 2 m length



**Art. 098-6500-012** Diaphragm electric pump for AdBlue® 12V 34 l/min cable 4 m length with pincers

**Art. 098-6500-024** Diaphragm electric pump for AdBlue® 24V 34 l/min cable 4 m length with pincers



**Art. 099-5124-000** Digital flow meter MEC 24 min-max flow rate min-max 5-120 l/min.



**Art. 099-6512-015** Kit PVC spiral suction hose d.20x25 1,5 m length



**Art. 909-0500-060** Antistatic hose EPDM 20 bar G 3/4" 6 m length (19x29)






**Art. 099-5199-000** Manual plastic nozzle “AD90” Flow rate 90 l/min



**Art. 099-5205-000** Automatic plastic nozzle with stainless steel end “AP80” 80 l/min

# PORTABLE ELECTRIC PUMPS KIT FOR AdBlue®



Ref.	Descrip.	Flow rate	Voltage	Power	Inlet-outlet	Conn. hose	Nozzle	Adaptor	Flow meter	Weight	Packaging
		l/min	AC V./Hz DC Volt	W	BSPG	Ø				kg	mm

<b>097-5810-230</b>	Portable kit	<b>40</b>	230/50	350	3/4"-3/4"	19X29	Man.AD90	Valve+filter	YES	11,80	410X400X320
<b>097-5811-230</b>	Portable kit	<b>40</b>	230/50	350	3/4"-3/4"	19X29	Aut.AP80	Valve+filter	YES	13,80	410X400X320

<b>097-5810-115</b>	Portable kit	<b>40</b>	115/60	350	3/4"-3/4"	19X29	Man.AD90	Valve+filter	YES	11,80	410X400X320
<b>097-5811-115</b>	Portable kit	<b>40</b>	115/60	350	3/4"-3/4"	19X29	Aut.AP80	Valve+filter	YES	13,80	410X400X320

<b>097-5810-012</b>	Portable kit	<b>34</b>	12	200	3/4"-3/4"	19X29	Man.AD90	Valve+filter	YES	10,30	410X400X320
<b>097-5811-012</b>	Portable kit	<b>34</b>	12	200	3/4"-3/4"	19X29	Aut.AP80	Valve+filter	YES	12,30	410X400X320

<b>097-5810-024</b>	Portable kit	<b>34</b>	24	336	3/4"-3/4"	19X29	Man.AD90	Valve+filter	YES	10,30	410X400X320
<b>097-5811-024</b>	Portable kit	<b>34</b>	24	336	3/4"-3/4"	19X29	Aut.AP80	Valve+filter	YES	12,30	410X400X320

**PUMP DUTY CYCLE min: S2 20**

Solid cabinet in varnished anti-corrosion steel equipped with key closure. The dispenser pump group lies inside with anti-vibration supports. Composed by: electric diaphragm self-priming pump, automatic nozzle, delivery EPDM hose 6 m length, suction hose with valve+filter.

### “Meclube Box AdBlue®” series composed by:



**Art. 098-6500-230** Diaphragm electric pump for AdBlue® 230V 50 Hz 40 l/min cable 2 m length

**Art. 098-6500-115** Diaphragm electric pump for AdBlue® 115V 60 Hz 40 l/min cable 2 m length



**Art. 098-6500-012** Diaphragm electric pump for AdBlue® 12V 34 l/min cable 2 m length with pincers

**Art. 098-6500-024** Diaphragm electric pump for AdBlue® 24V 34 l/min cable 2 m length with pincers



**Art. 099-5124-000** Digital flow meter MEC 24 min-max flow rate min-max 5-120 l/min.



**Art. 099-6512-015** Kit PVC spiral suction hose d.20x25 1,5 m length



**Art. 909-0500-060** Antistatic hose EPDM 20 bar G 3/4” 6 m length (19x29)



**Art. 099-5205-000** Automatic plastic nozzle with stainless steel end “AP80” 80 l/min



**Art. 099-5210-000** Automatic stainless steel nozzle “AD80” Flow rate 80 l/min  
With swiveling joint



**Art. 090-5053-000** Cabinet for pump group



# CABINET DISTRIBUTOR FOR AdBlue® “Meclube Box”



Ref.	Descrip.	Flow rate	Voltage	Power	Inlet-outlet	Conn. hose	Nozzle	Adaptor	Flow meter	Weight	Packaging
		l/min	AC V./Hz DC Volt	W	BSPG	Ø				kg	mm

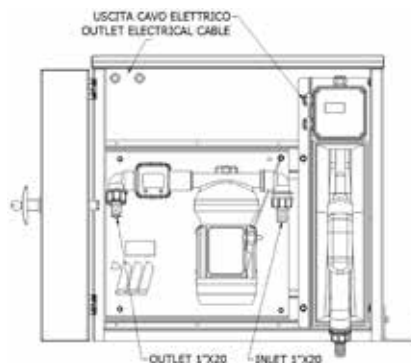
<b>097-5910-230</b>	Meclube Box	<b>40</b>	230/50	350	3/4"-3/4"	19X29	Aut.AP80	Valve+filter	YES	38,50	630X380X605
<b>097-5911-230</b>	Meclube Box	<b>40</b>	230/50	350	3/4"-3/4"	19X29	Aut.AD80	Valve+filter	YES	40,50	630X380X605

<b>097-5910-115</b>	Meclube Box	<b>40</b>	115/60	350	3/4"-3/4"	19X29	Aut.AP80	Valve+filter	YES	38,50	630X380X605
<b>097-5911-115</b>	Meclube Box	<b>40</b>	115/60	350	3/4"-3/4"	19X29	Aut.AD80	Valve+filter	YES	40,50	630X380X605

<b>097-5910-012</b>	Meclube Box	<b>34</b>	12	200	3/4"-3/4"	19X29	Aut.AP80	Valve+filter	YES	38,50	630X380X605
<b>097-5911-012</b>	Meclube Box	<b>34</b>	12	200	3/4"-3/4"	19X29	Aut.AD80	Valve+filter	YES	40,50	630X380X605

<b>097-5910-024</b>	Meclube Box	<b>34</b>	24	336	3/4"-3/4"	19X29	Aut.AP80	Valve+filter	YES	38,50	630X380X605
<b>097-5911-024</b>	Meclube Box	<b>34</b>	24	336	3/4"-3/4"	19X29	Aut.AD80	Valve+filter	YES	40,50	630X380X605

**PUMP DUTY CYCLE min: S2 20**



AdBlue® transferring kit in solid structure for private use. It allows the quick and clean filling of the vehicles. It permits the following functions: the identification of the authorised users, the pre-selection of dispensed quantity, the detection of the total consumption and the single-user consumption, the record of the deliveries and the management of 200 users. The system is equipped with key-manager to start the delivery quickly. The system includes the nozzle holder with microswitch to turn the pump on/off, automatic nozzle with swiveling joint and side hose holder. The equipment can be fixed to the wall, to a tank or to its own column.

### “Electronic Cami Dispenser” series composed by:



**Art. 098-6500-230** Diaphragm electric pump for AdBlue® 230V 50 Hz 40 l/min  
cable 2 m lenght



**Art. 909-0500-060** Antistatic hose EPDM 20 bar G 3/4" 6 m lenght (19x29)



**Art. 099-5210-000** Automatic stainless steel nozzle “AD80” Flow rate 80 l/min  
With swiveling joint



**Art. 092-5200-230** Electronic control unit MecGest 110/230V 50Hz  
Software included



**Art. 099-5170-040** Mechanical pulsed flow meter MGI-40



**Art. 092-5220-000** Codified communication kit USB key reader for PC



**Art. 092-5300-000** Red Key- Manager - nr. 1 pc.



**Art. 090-5073-000** Base Column Cami-Dispenser

### OPTIONAL:



**Art. 092-5300-010** Kit blue keys - Users - 10 pcs



**Art. 099-5240-020** AdBlue® filter 20µ 60 l/min




# AdBlue® TRANSFER SYSTEM “Electronic Cami Dispenser”



Art. 097-5074-230



Art. 097-5075-230

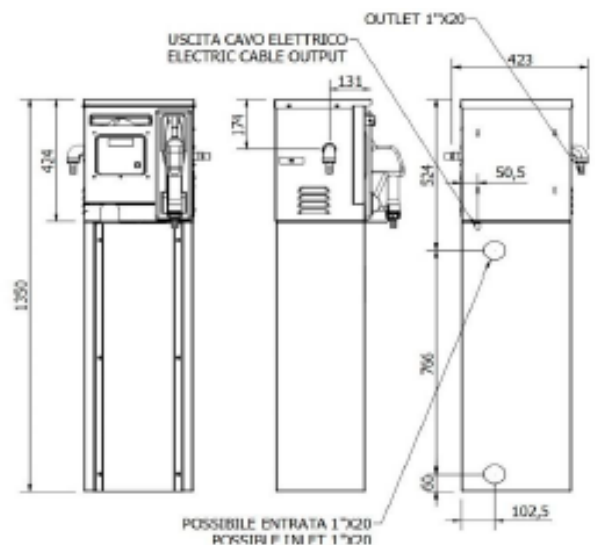
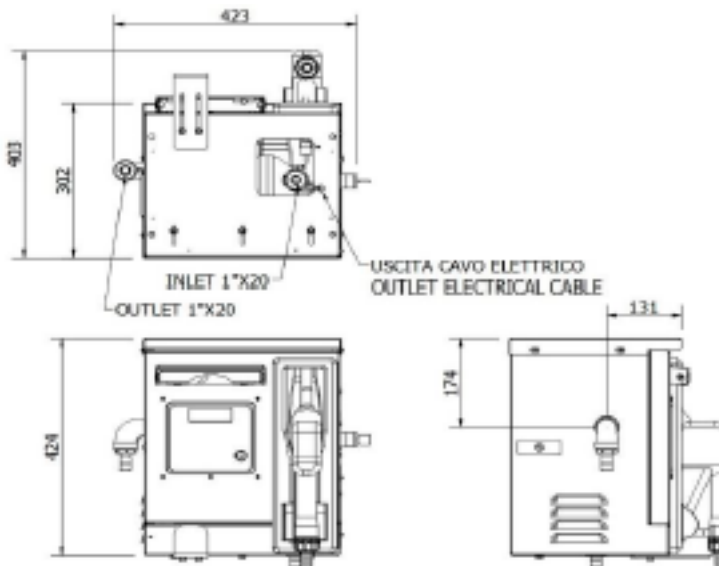
Ref.	Descrip.	Flow rate	Voltage	Power	Inlet-outlet	Conn. hose	Nozzle	Flow meter	Working cycle	Column	Weight
		l/min	AC V/Hz DC Volt	W	BSPG	Ø			min		kg

<b>097-5074-230</b>	Cami Dispenser	<b>40</b>	230/50	350	3/4"-3/4"	19X29	Aut.AD80	MGI-40	S20-20	NO	28,00
---------------------	----------------	-----------	--------	-----	-----------	-------	----------	--------	--------	----	-------

<b>097-5075-230</b>	Cami Dispenser	<b>40</b>	230/50	350	3/4"-3/4"	19X29	Aut.AD80	MGI-40	S20-20	YES	51,50
---------------------	----------------	-----------	--------	-----	-----------	-------	----------	--------	--------	-----	-------

Ref.	Packaging (mm)	Nr. Of boxes
------	----------------	--------------

<b>097-5074-230</b>	505x355x425	1
<b>097-5075-230</b>	505x355x425 - 365x305x945	2



## AdBlue® TRANSFER SYSTEM “Electronic Cami Dispenser LC”

AdBlue® transferring kit for private use. It allows the quick and safe filling of the vehicles. It also permits to measure and record the dispensed quantities. It permits the following functions: the preselection of the dispatched quantity, to see the total dispensed and each single dispense, to memorize the dispatches. The systems comes with a Lan Connection that enables the constant communication with the software, the reception of the type of configuration from remote and the report sending of the dispenses, MecGest can manage up to 200 users. The system is equipped with user-key and manager-key, to quickly start the dispatch. It is equipped with nozzle holder, microswitch to turn the pump on/off, automatic nozzle with swiveling joint, and extractable hose support. The equipment can be fixed to the wall, to a tank or to its column.

### “Electronic Cami Dispenser LC” series composed by:



**Art. 098-6500-230** Diaphragm electric pump for AdBlue® 230V 50 Hz 40 l/min  
cable 2 m lenght



**Art. 909-0500-060** Antistatic hose EPDM 20 bar G 3/4” 6 m lenght (19x29)



**Art. 099-5210-000** Automatic stainless steel nozzle “AD80” Flow rate 80 l/min  
With swiveling joint



**Art. 092-5200-230** Electronic control unit MecGest 110/230V 50Hz  
Software included



**Art. 099-5170-040** Mechanical pulsed flow meter MGI-40



**Art. 092-5350-001** Codified Kit Lan Connection USB - RS485



**Art. 090-5073-000** Base Column Cami-Dispenser

#### OPTIONAL:



**Art. 092-5300-010** Kit blue keys - Users - 10 pcs



**Art. 092-5220-000** Codified communication kit USB key reader for PC



**Art. 099-5240-020** AdBlue® filter 20µ 60 l/min




# AdBlue® TRANSFER SYSTEM “Electronic Cami Dispenser LC”



Art. 097-5076-230



Art. 097-5077-230

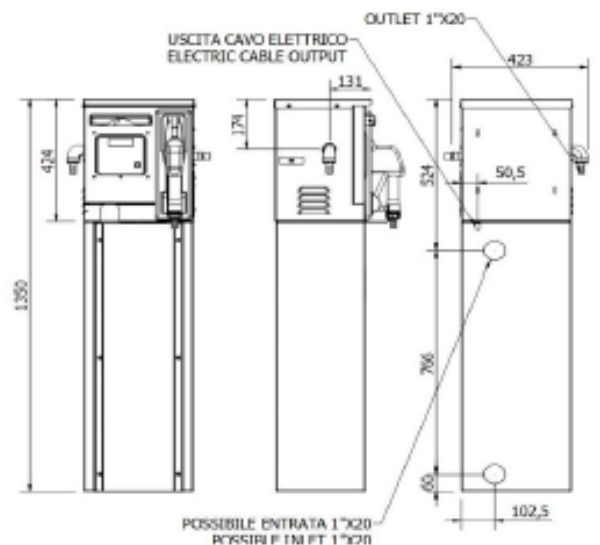
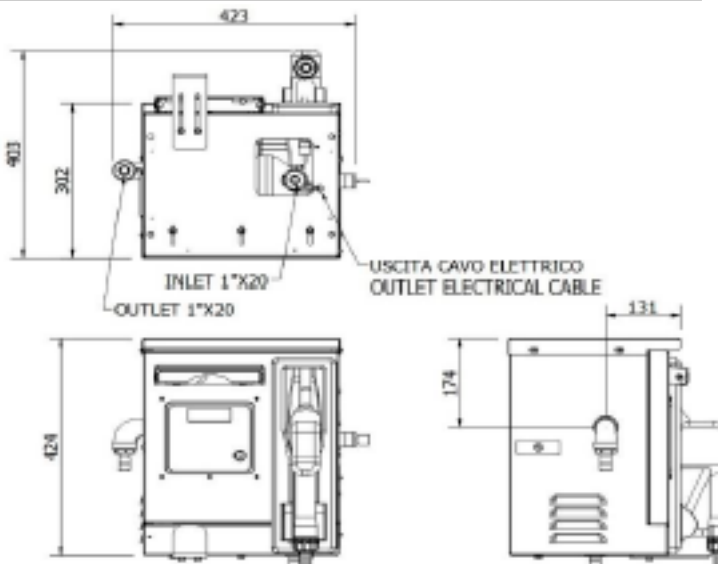
Ref.	Descrip.	Flow rate	Voltage	Power	Inlet-outlet	Conn. hose	Nozzle	Flow meter	Working cycle	Column	Weight
		l/min	AC V/Hz DC Volt	W	BSPG	Ø			min		kg

097-5076-230	Cami Dispenser	40	230/50	350	3/4"-3/4"	19X29	Aut.AD80	MGI-40	S2 20	NO	28,00
--------------	----------------	----	--------	-----	-----------	-------	----------	--------	-------	----	-------

097-5077-230	Cami Dispenser	40	230/50	350	3/4"-3/4"	19X29	Aut.AD80	MGI-40	S2 20	YES	51,50
--------------	----------------	----	--------	-----	-----------	-------	----------	--------	-------	-----	-------

Ref.	Packaging (mm)	Nr. Of boxes
------	----------------	--------------

097-5076-230	505x355x425	1
097-5077-230	505x355x425 - 365x305x945	2



AdBlue® transferring kit in solid structure for private use. It allows the quick and clean filling of the vehicles. It permits the following functions: the identification of the authorised users, the pre-selection of dispensed quantity, the detection of the total consumption and the single-user consumption, the storage of the deliveries and the management of 200 users. The system is equipped with key-manager to start the delivery quickly. The system includes the nozzle holder with microswitch to turn the pump on/off, automatic nozzle with swiveling joint and side hose holder.

### “Electronic Gaia Service” series composed by:



**Art. 098-6500-230** Diaphragm electric pump for AdBlue® 230V 50 Hz 40 l/min  
cable 2 m length



**Art. 909-0500-060** Antistatic hose EPDM 20 bar G 3/4” 6 m length (19x29)



**Art. 099-5210-000** Automatic stainless steel nozzle “AD80” Flow rate 80 l/min  
With swiveling joint



**Art. 092-5200-230** Electronic control unit MecGest 110/230V 50Hz  
Software included



**Art. 099-5170-040** Mechanical pulsed flow meter MGI-40



**Art. 099-5240-020** AdBlue® filter 20µ 60 l/min



**Art. 092-5220-000** Codified communication kit USB key reader for PC



**Art. 092-5300-000** Red Key- Manager - nr. 1 pc.

### OPTIONAL:



**Art. 092-5300-010** Kit blue keys - Users - 10 pcs

# AdBlue® TRANSFER SYSTEM “Electronic Gaia Service”






Art. 097-5084-230

H. 1380 mm



Art. 097-5085-230

H. 980 mm

Ref.	Descrip.	Flow rate	Voltage	Power	Inlet-outlet	Conn. hose	Nozzle	Flow meter	Filter	Working cycle	Weight
		l/min	AC V/Hz DC Volt	W	BSPG	Ø				min	kg

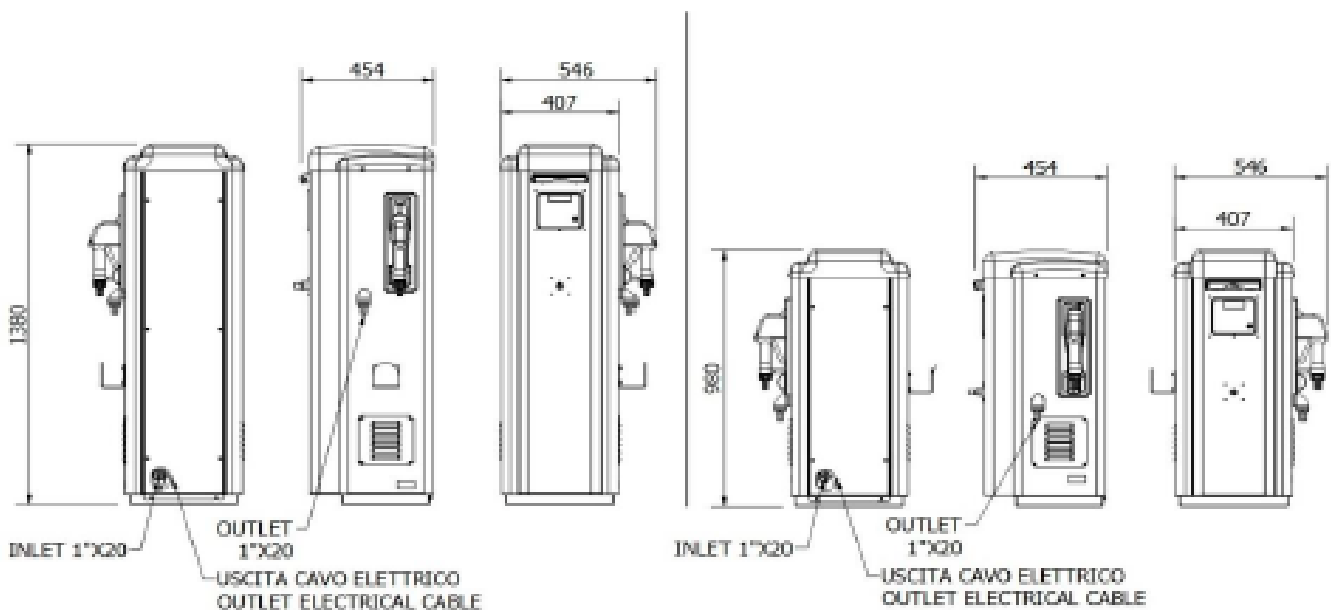
**H. 1380 mm**

<b>097-5084-230</b>	Gaia Service	<b>40</b>	230/50	350	3/4"-3/4"	19X29	Aut.AD80	MGI-40	YES	S2 20	67,50
---------------------	--------------	-----------	--------	-----	-----------	-------	----------	--------	-----	-------	-------

**H. 980 mm Suitable for tank fixing**

<b>097-5085-230</b>	Gaia "Tank"	<b>40</b>	230/50	350	3/4"-3/4"	19X29	Aut.AD80	MGI-40	YES	S2 20	59,50
---------------------	-------------	-----------	--------	-----	-----------	-------	----------	--------	-----	-------	-------

Ref.	Packaging (mm)	Nr. Of boxes
<b>097-5084-230</b>	530x490x1410	1
<b>097-5085-230</b>	530x490x1010	2



AdBlue® transferring kit in solid structure for private use. It allows the quick and clean filling of the vehicles. It also permits to measure and record the dispensed quantities. It permits the following functions: the preselection of the dispatched quantity, to see the total dispensed and each single dispense, to memorize the dispatches. The systems comes with a Lan Connection that enables the constant communication with the software, the reception of the type of configuration from remote and the report sending of the dispenses, MecGest can manage up to 200 users. The system includes the nozzle holder with microswitch to turn the pump on/off, automatic nozzle with swiveling joint and hose holder.

### “Electronic Gaia Service LC” series composed by:



**Art. 098-6500-230** Diaphragm electric pump for AdBlue® 230V 50 Hz 40 l/min  
cable 2 m lenght



**Art. 909-0500-060** Antistatic hose EPDM 20 bar G 3/4" 6 m lenght (19x29)



**Art. 099-5210-000** Automatic stainless steel nozzle “AD80” Flow rate 80 l/min  
With swiveling joint



**Art. 092-5200-230** Electronic control unit MecGest 110/230V 50Hz  
Software included



**Art. 099-5170-040** Mechanical pulsed flow meter MGI-40



**Art. 099-5240-020** AdBlue® filter 20µ 60 l/min



**Art. 092-5350-001** Coded Kit Lan Connection USB - RS485

### OPTIONAL:



**Art. 092-5300-010** Kit blue keys - Users - 10 pcs



**Art. 092-5220-000** Coded communication kit USB key reader for PC



# AdBlue® TRANSFER SYSTEM “Electronic Gaia Service LC”



Art. 097-5086-230

H. 1380 mm



Art. 097-5087-230

H. 980 mm

Ref.	Descrip.	Flow rate	Voltage	Power	Inlet-outlet	Conn. hose	Nozzle	Flow meter	Filter	Working cycle	Weight
		l/min	AC V/Hz DC Volt	W	BSPG	Ø				min	kg

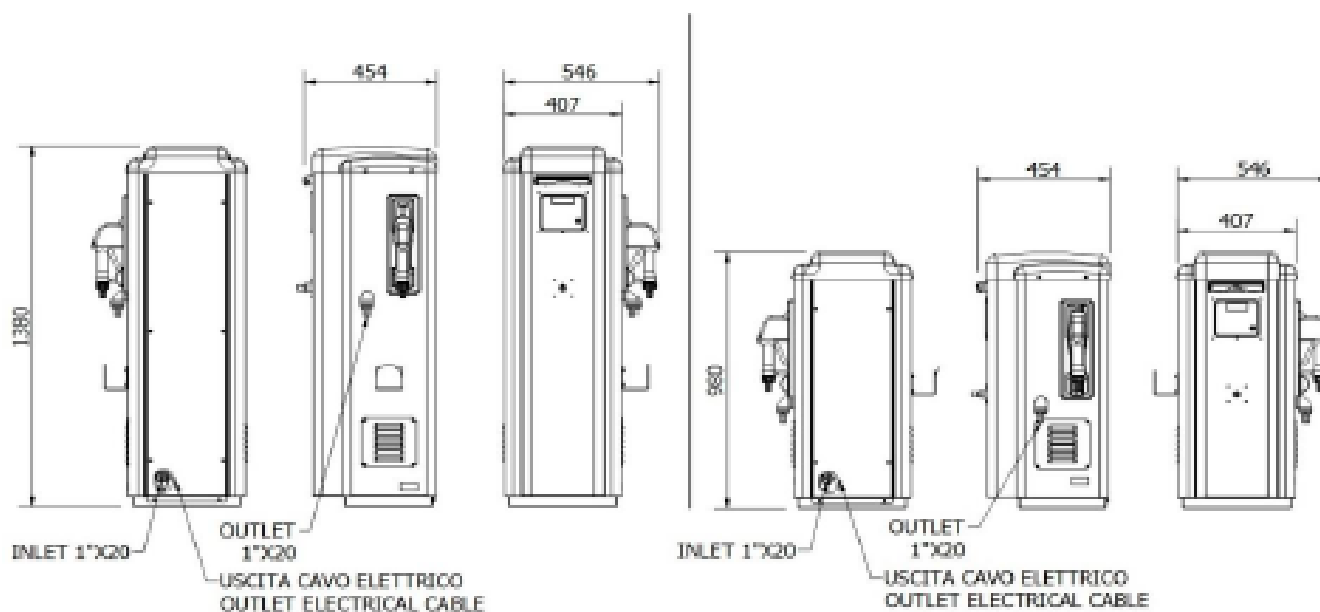
**H. 1380 mm**

<b>097-5086-230</b>	Gaia Service	<b>40</b>	230/50	350	3/4"-3/4"	19X29	Aut.AD80	MGI-40	YES	S2 20	67,50
---------------------	--------------	-----------	--------	-----	-----------	-------	----------	--------	-----	-------	-------

**H. 980 mm Suitable for tank fixing**

<b>097-5087-230</b>	Gaia "Tank"	<b>40</b>	230/50	350	3/4"-3/4"	19X29	Aut.AD80	MGI-40	YES	S2 20	59,50
---------------------	-------------	-----------	--------	-----	-----------	-------	----------	--------	-----	-------	-------

Ref.	Packaging (mm)	Nr. Of boxes
<b>097-5086-230</b>	530x490x1410	1
<b>097-5087-230</b>	530x490x1010	2



Rigid polyethylene tank for AdBlue® transport for non-commercial use, with built-in transfer unit consisting of rotary vane self-priming pump available in various voltages (12-24V). Delivery hose ø 19 mm 4 m length and automatic nozzle. The system is available at 220 liters and can be integrated with digital flow meter. The tank is equipped with 2" filling plug with pressurizing/depressurizing relief valve. See ADR Regulations at page 180.

### “AdBlue® Tank 220” series composed by:



**Art. 097-6220-000** Tank 220 l without pumps



**Art. 098-6500-012** Electric diaphragm pump for AdBlue® 12V 34 l/min  
cable 4 m length with pincers

**Art. 098-6500-024** Electric diaphragm pump for AdBlue® 24V 34 l/min  
cable 4 m length with pincers



**Art. 099-5124-000** Digital flow meter MEC 24 min-max flow rate 5-120 l/min.

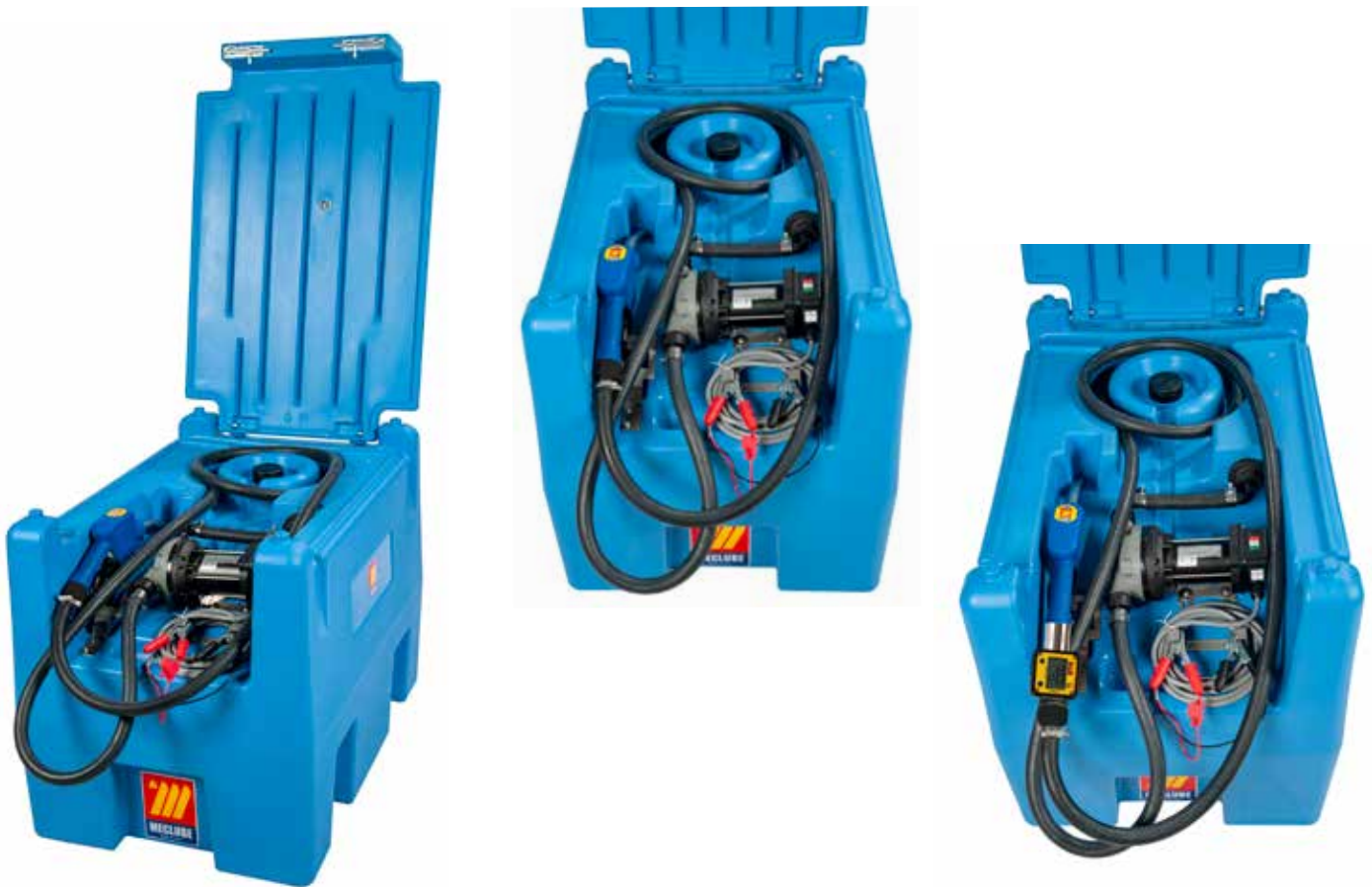





**Art. 909-0500-040** Antistatic hose EPDM 20 bar G 3/4" 4 m length (19x29)



**Art. 099-5210-000** Automatic stainless steel nozzle “AD80” Flow rate 80 l/min

# AdBlue® TANK 220

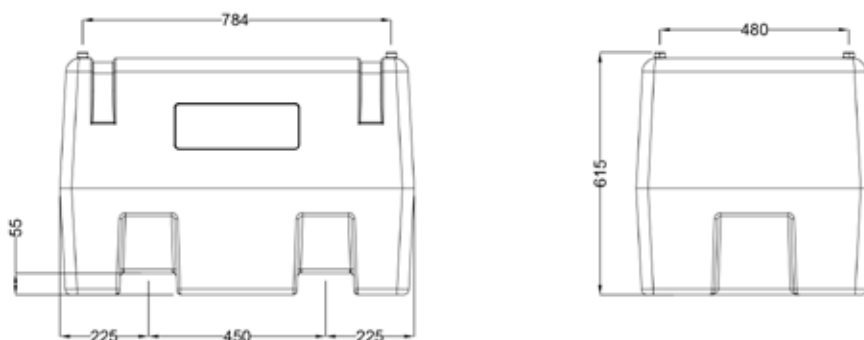


Ref.	Descrip.	Flow meter	Voltage	Power	Inlet-outlet	Conn. hose	Nozzle	Cable L.mt	Flow meter	Weight	Packaging
		l/min	ACV/Hz DC Volt	W	BSPG	Ø				kg	mm

<b>097-6220-012</b>	Tank 220 l	<b>34</b>	12	200	3/4"-3/4"	19X29	Aut.AD80	4	NO	24,00	910X600X620
<b>097-6221-012</b>	Tank 220 l	<b>34</b>	12	200	3/4"-3/4"	19X29	Aut.AD80	4	YES	24,50	910X600X620

<b>097-6220-024</b>	Tank 220 l	<b>34</b>	24	336	3/4"-3/4"	19X29	Aut.AD80	4	NO	24,00	910X600X620
<b>097-6221-024</b>	Tank 220 l	<b>34</b>	24	336	3/4"-3/4"	19X29	Aut.AD80	4	YES	24,50	910X600X620

**PUMP DUTY CYCLE min: S2 20**



Rigid polyethylene tank for AdBlue® transport for non-commercial use, with built-in transfer unit consisting of rotary vane self-priming pump available in various voltages (12-24V). Delivery hose ø 19 mm 4 m length and automatic nozzle. The system is available at 440 liters and can be integrated with digital flow meter. The tank is equipped with 2" filling plug with pressurizing/depressurizing relief valve. See ADR Regulations at page 180.

### “AdBlue® Tank 440” series composed by:



**Art. 097-6440-000** Tank 440 l without pumps



**Art. 098-6500-012** Electric diaphragm pump for AdBlue® 12V 34 l/min  
cable 4 m length with pincers

**Art. 098-6500-024** Electric diaphragm pump for AdBlue® 24V 34 l/min  
cable 4 m length with pincers



**Art. 099-5124-000** Digital flow meter MEC 24 min-max flow rate min-max 5-120 l/min.



**Art. 909-0500-040** Antistatic hose EPDM 20 bar G 3/4" 4 m length (19x29)






**Art. 099-5210-000** Automatic stainless steel nozzle “AD80” Flow rate 80 l/min



**Art. 092-6000-220** Probe for tank 330 l - 440 l

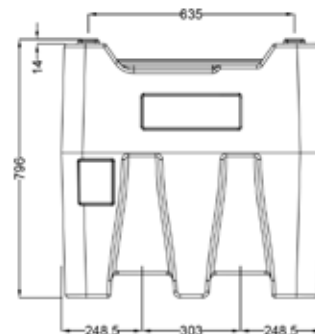
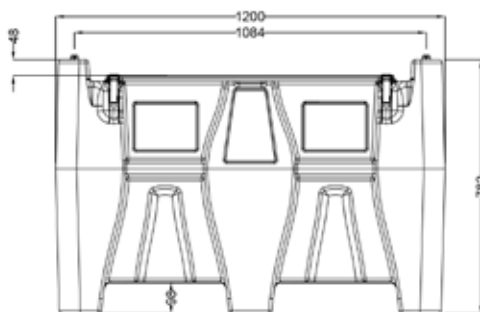


Ref.	Descrip.	Flow rate l/min	Voltage AC V/Hz DC Volt	Power W	Inlet-outlet BSPG	Conn. hose Ø	Nozzle	Cable L.mt	Flow meter	Wei- ght kg	Packaging mm
											

<b>097-6440-012</b>	Tank 440 I	<b>34</b>	12	200	3/4"-3/4"	19X29	Aut.AD80	4	NO	52,00	1200X800X785
<b>097-6441-012</b>	Tank 440 I	<b>34</b>	12	200	3/4"-3/4"	19X29	Aut.AD80	4	YES	52,50	1200X800X785

<b>097-6440-024</b>	Tank 440 I	<b>34</b>	24	336	3/4"-3/4"	19X29	Aut.AD80	4	NO	52,00	1200X800X785
<b>097-6441-024</b>	Tank 440 I	<b>34</b>	24	336	3/4"-3/4"	19X29	Aut.AD80	4	YES	52,50	1200X800X785

**PUMP DUTY CYCLE min: S2 20**



Tank made of linear high density polyethylene, resistant to UV radiations with distribution cabinet for AdBlue® / DEF / Arla32. It is available in the version of 12V and 230V, with digital flow meter, stainless steel automatic nozzle, key lock and EPDM delivery hose of 3/4” L. 6m. The tank is available of 3000 l and 5000 l with closing cap with D. 42 cm.

DEF-Tank is provided with 1” vent valve, 2” filling hose and 1” suction hose.

The tank is designed to allow a great functioning of SCR systems (Selective Catalytic Reduction).



Diesel Exhaust  
Fluid



“DEF-Tank” series composed by:

Art. 097-9300-000 3000 l polyethylene tank

Art. 097-9500-000 5000 l polyethylene tank

Art. 097-5911-230 Meclube Box 230V, automatic nozzle AD80 digital flow meter and hose 3/4” length.6 m

Art. 097-5911-012 Meclube Box 12V, automatic nozzle AD80 digital flow meter and hose 3/4” length.6 m



# AdBlue® TANK-DISTRIBUTOR “DEF-Tank”



## Tank Technical Data

Ref.	Description	Capacity	Voltage	Width	Depth	Height	Total weight	Packaging
		l	AC V./Hz DC Volt	mm	mm	mm	Kg	mm
097-9300-230	DEF-Tank	3000	230/50	2200	1820	1910	165	2200X1600X2060
097-9300-012	DEF-Tank	3000	12	2200	1820	1910	165	2200X1600X2060



097-9500-230	DEF-Tank	5000	230/50	2670	2000	2220	215	2200X1600X2370
097-9500-012	DEF-Tank	5000	12	2670	2000	2220	215	2200X1600X2370



AdBlue®



## Meclube Box Technical Data

Ref.	Description	Flow Rate	Voltage	Power	Inlet Outlet	Conn. Hose	Nozzle	Flow Meter	Weight
		l/min	AC V./Hz DC Volt	W	BSPG	Ø			Kg
097-5911-230	Meclube Box	40	230/50	350	3/4"-3/4"	19X29	Aut.AD80	YES	40,50
097-5911-012	Meclube Box	34	12	200	3/4"-3/4"	19X29	Aut.AD80	YES	40,50

Pump Working Cycle min: S2 20

Rigid polyethylene tank for AdBlue® for professional and private use, suitable for the refueling small operative vehicles and light operative or recreational vehicles. They are equipped with run-flat tyres and suitable for moving on any ground. Every container can be filled vertically or horizontally, with the same Urea quantity. Provide with nozzle holder bracket, safety valve with swiveling joint, filling plug with anti-spill relief valve. See ADR Regulations at page 180.

### “Caddy” series composed by:



**Art. 097-6055-M00** Wheeled tank Caddy 55 l AdBlue



**Art. 099-5625-000** Manual rotary pump for AdBlue®



**Art. 908-0500-040** Antistatic rubber hose Ø 20 mm 4 m lenght




**Art. 099-5199-000** Manual plastic nozzle “AD90” for AdBlue® Flow rate 90 l/min





55 l

Ref.	Descrip.	Capacity for 100 revolutions		Width	Depth	Height	Nozzle	Weight	Packaging
		l	USG	mm	mm	mm		kg	mm

097-6055-M00	Caddy 55 l	38	10	460	360	900	Man.AD90	8,00	1000X500X500
--------------	------------	----	----	-----	-----	-----	----------	------	--------------

Trolley for the transport of AdBlue® barrels, specifically designed for filling the vehicles tanks. It's equipped with self-priming electric double diaphragm pump, automatic nozzle, flow rate reducer, digital turbine flow meter, IBC adaptor and telescopic suction hose. The plastic barrel and the tanks are not included.

**“Giuly-Blu” series composed by:**



**Art. 098-6500-230** Electric diaphragm pump for AdBlue® 230V 50 Hz 40 l/min cable 2 m length



**Art. 098-6500-012** Electric diaphragm pump for AdBlue® 12V 34 l/min cable 4 m length



**Art. 911-0500-015** PVC spiral suction hose ø 20x252 mm 1,5 m length



**Art. 909-0500-040** Connection hose EPDM ø 20 mm M-M 4,0 m length



**Art. 099-5205-000** Automatic plastic nozzle with stainless steel end AP80 80 l/min.



**Art. 099-5124-000** Digital flow meter MEC 24 min-max flow rate 5-120 l/min.



**Art. 099-6500-000** Suction hose 2” BSP SEC connection



**Art. 099-6600-000** Adaptor for suction hose SEC connection



**Art. 030-1398-000** Trolley 3 wheels with brake

# AdBlue® TRANSFER SYSTEM FOR VEHICLES “Giuly-Blu”



Art. 097-5750-230  
Art. 097-5750-012





Art. 097-5752-230  
Art. 097-5752-012



Giuly-Blu IBC

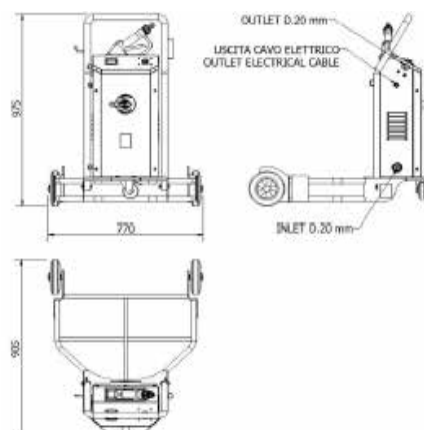
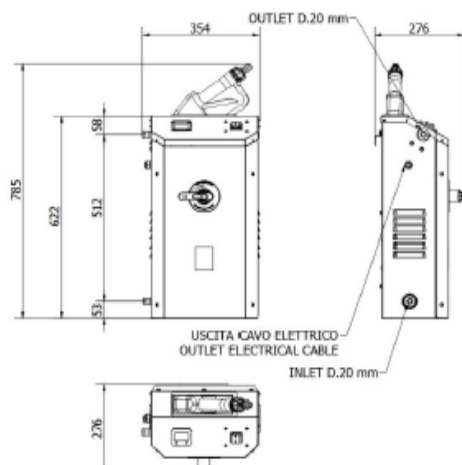
Drum and cistern not included

Ref.	Descrip.	Max. Nominal Flow Rate	Voltage	Power	Flow Rate	Delivery Hose	Suction Hose	Nozzle	Trolley	Weight
		LPM / GPM	AC V/Hz DC Volt	W	min	Ø / mm	Ø / mm			kg

097-5750-230	Giuly-Blu IBC	4 - 40 / 1 - 9	230 / 50	350	S2 30	20	20	AutAP80	NO	30,00
097-5750-012	Giuly-Blu IBC	4 - 34 / 1 - 9,2	12	200	S2 20	20	20	AutAP80	NO	30,00

097-5752-230	Giuly-Blu Trolley	4 - 40 / 1 - 9	230 / 50	350	S2 30	20	20	AutAP80	YES	52,40
097-5752-012	Giuly-Blu Trolley	4 - 34 / 1 - 9,2	12	200	S2 20	20	20	AutAP80	YES	52,40

Ref.	Packaging (mm)	Nr. Of boxes
097-5750-230	385X325X655	1
097-5750-012	385X325X655	1
097-5752-230	(385X325X655) + (920X790X250)	2
097-5752-012	(385X325X655) + (920X790X250)	2



Trolley for the transport of AdBlue® barrels, specifically designed for filling the vehicles tanks. It's equipped with self-priming electric double diaphragm pump, automatic nozzle, flow rate reducer, digital turbine flow meter, IBC adaptor and telescopic suction hose. The plastic barrel and the tanks are not included.

**“Giuly-Blu” series composed by:**



**Art. 098-6500-230** Electric diaphragm pump for AdBlue® 230V 50 Hz 40 l/min cable 2 m length



**Art. 098-6500-012** Electric diaphragm pump for AdBlue® 12V 34 l/min cable 4 m length



**Art. 911-0500-015** PVC spiral suction hose ø 20x252 mm 1,5 m length



**Art. 909-0500-040** Connection hose EPDM ø 20 mm M-M 4,0 m length



**Art. 099-5220-000** ZVA Automatic nozzle for AdBlue® LV / Urea according to ISO 22241-1 (DEF/AUS/ARLA 32) for light vehicles < 3,5 t.  
With ATEX certificate (EX II 1G) Certificate Nr. SIRA 03ATEX9 487U  
Swivelling joint with integrated and certified flow regulator :  
TÜV - P-TÜ7-8113338228 ISO 22241  
Complete with adaptor EW 22



**Art. 099-5124-000** Digital flow meter MEC 24 min-max flow rate 5-120 l/min.



**Art. 099-6500-000** Suction hose 2” BSP SEC connection



**Art. 099-6600-000** Adaptor for suction hose SEC connection



**Art. 030-1398-000** Trolley 3 wheels with brake

# AdBlue® TRANSFER SYSTEM FOR VEHICLES “Giuly-Blu” PROFESSIONAL



Art. 097-5760-230  
Art. 097-5760-012





Art. 097-5762-230  
Art. 097-5762-012



Giuly-Blu IBC

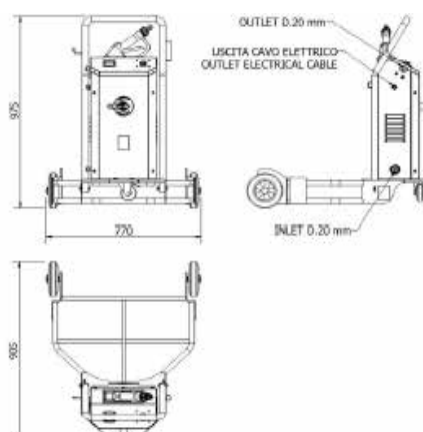
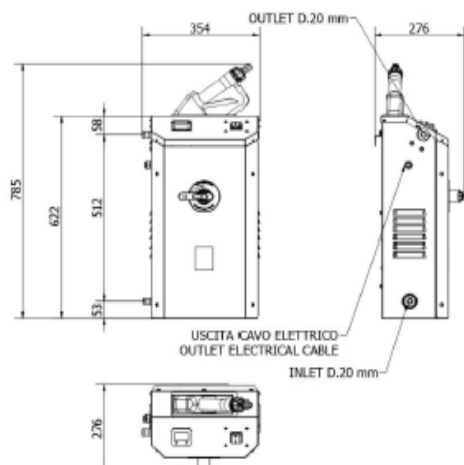
Drum and cistern not included

Ref.	Descrip.	Max. Nominal Flow Rate	Voltage	Power	Flow Rate	Delivery Hose	Suction Hose	Nozzle	Trolley	Weight
		l/min	AC V./Hz DC Volt	W	l/min	Ø / mm	Ø / mm			kg

097-5760-230	Giuly-Blu Prof	5 - 10	230 / 50	350	40	20	20	ZVA LV	NO	30,00
097-5760-012	Giuly-Blu Prof	5 - 10	12	200	34	20	20	ZVA LV	NO	30,00

097-5762-230	Giuly-Blu Prof Trolley	5 - 10	230 / 50	350	40	20	20	ZVA LV	YES	52,40
097-5762-012	Giuly-Blu Prof Trolley	5 - 10	12	200	34	20	20	ZVA LV	YES	52,40

Ref.	Packaging (mm)	Nr. Of boxes
097-5760-230	385X325X655	1
097-5760-012	385X325X655	1
097-5762-230	(385X325X655) + (920X790X250)	2
097-5762-012	(385X325X655) + (920X790X250)	2



Varnished trolleys advised for the transport of barrels (AdBlue®, oil, grease and similar) of 180-220 kg in work places.



**Art. 030-1398-000 Trolley for barrel 180-220 l**

**Pre-arranged for application of the hose reel**

EQUIPPED WITH:

Nr. 2 fixed wheels Ø 200 mm

Nr. 1 swiveling wheel Ø 125 mm

(equipped with locking device)

Band for fixing barrels

Base dimension 600 x 470 mm



**Art. 030-1400-000 Trolley for barrel 180-220 l**

EQUIPPED WITH:

Nr. 2 fixed wheels Ø 250 mm

Nr. 2 swiveling wheel Ø 125 mm

Base dimension 610 x 610 mm



**Art. 030-1405-000 Trolley for barrel 180-220 l**

**Pre-arranged for application of the hose reel**

EQUIPPED WITH:

Nr. 2 fixed wheels Ø 250 mm

Nr. 2 swiveling wheel Ø 180 mm

(one equipped with locking device)

Base dimension 610 x 610 mm

Ref.	Wheels	For barrel	Base dimension	Weight	Packaging
	nr.	l	mm	Kg	mm

<b>030-1398-000</b>	3	180/220	600x470	22,4	920X790X250
<b>030-1400-000</b>	4	180/220	610x610	37,1	920X790X250
<b>030-1405-000</b>	4	180/220	610x610	48,6	920X790X250

# ELECTRIC DIAPHRAGM PUMPS FOR AdBlue® AIR-OPERATED DOUBLE DIAPHRAGM PUMPS



Electric diaphragm self-priming pump without any dynamic seals. Suitable for aggressive fluids transfer like AdBlue®.



**Art. 098-6500-230 Electric diaphragm pump for AdBlue®  
230V 50Hz 40 l/min**

Duty cycle: 20 min  
Housing: Polypropylene  
Diaphragm: EPDM  
Check valve: Viton  
Check valve spring: stainless steel 316  
Motor shaft: stainless steel 316  
Switch ON / OFF  
Rubber holder fitting F1" Ø 20  
2 m cable with socket



**Art. 098-6500-115 Electric diaphragm pump for AdBlue®  
120V 60Hz 40 l/min**

Duty cycle: 20 min  
Housing: Polypropylene  
Diaphragm: EPDM  
Check valve: Viton  
Check valve spring: stainless steel 316  
Motor shaft: stainless steel 316  
Switch ON / OFF  
Rubber holder fitting F1" Ø 20  
2 m cable with socket

Ref.	Flow rate	Voltage	Power	Electricity	Inlet-outlet	Cable lenght	Duty cycle	Weight	Packaging
	l/min	V / Hz	W	A	BSPG	m	min	Kg	mm

<b>098-6500-230</b>	<b>40</b>	230/50	350	1,5	3/4" - 3/4"	2	S2 20	6,5	320X190X230
<b>098-6500-115</b>	<b>40</b>	120/60	350	3,5	3/4" - 3/4"	2	S2 20	6,5	320X190X230



Electric diaphragm self-priming pump without any dynamic seals. Suitable for aggressive fluids transfer like AdBlue®

**Art. 098-6500-012 Electric diaphragm pump for AdBlue®  
12V 34 l/min**



Duty cycle: 20 min  
Housing: Polypropylene  
Diaphragm: EPDM  
Check valve: Viton  
Check valve spring: stainless steel 316  
Motor shaft: stainless steel 316  
Switch ON / OFF  
4 m cable with socket  
Rubber holder fitting F1" Ø20

**Art. 098-6500-024 Electric diaphragm pump for AdBlue®  
24V 34 l/min**



Duty cycle: 20 min  
Housing: Polypropylene  
Diaphragm: EPDM  
Check valve: Viton  
Check valve spring: stainless steel 316  
Motor shaft: stainless steel 316  
Switch ON / OFF  
4 m cable with socket  
Rubber holder fitting F1" Ø20

Ref.	Flow rate	Voltage	Power	Electricity	Inlet-outlet	Cable Length	Duty cycle	Weight	Packaging
	l/min	V / Hz	W	A	BSPG	m	min	Kg	mm

<b>098-6500-012</b>	<b>34</b>	12	200	20	3/4" - 3/4"	4	S2 20	5	320X190X230
<b>098-6500-024</b>	<b>34</b>	24	336	14	3/4" - 3/4"	4	S2 20	5	320X190X230



## SUBMERSIBLE AdBlue® ELECTRO-PUMP “Mec-Ariel”

Submersible multi-impeller electro-pump designed for AdBlue®/DEF/Arla32. The pump is complete with power supply cable L.5m with case H07BN4-F and connection with clapet valve, plastic structure suitable for Adblue®. The equipment complies with EN 60335-1/EN 60034-1/IEC 60335-1/IEC 60034-1/CEI 61-150/CEI 2-3. The electro-pump works with S1 service continuously with flow rate up to 70 l/min and delivery head up to 27m, it can be used under the liquid level up to a maximum of 3m. Emptying level up to 25mm from the bottom. Electric engine with insulation in F class, IP X8 protection.

### Art. 098-7000-230 Submersible electro-pump for AdBlue® “Mec-Ariel” 230V 50Hz 70 l/min

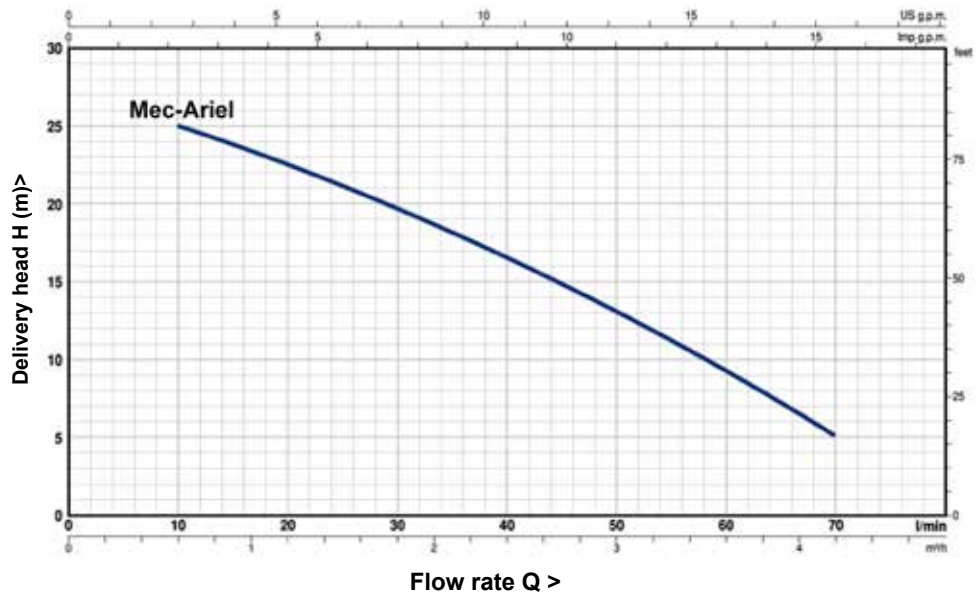
It is designed to pump clean liquid defined according to ISO 22241 standard as AUS32 (Aqueous Urea Solutions 32,5%).

This liquid corresponds to commercial names known as:

- AdBlue® (brand registered by Verband der automobilindustrie VDA)
- DEF (Diesel Exhausted Fluid)
- Arla 32 (Agente Reductor Líquido de Oxido de Nitrogenio Automotivo)



#### PERFORMANCE DATA



Ref.	Power (P2)		Q										
	kW	HP		m3/h	0	0,6	1,2	1,8	2,4	3	3,6	4,2	
				l/min	0	10	20	30	40	50	60	70	

098-7000-230	0,37	0,5	H	meters	27	25	22,5	19,5	16,5	13	9	5
--------------	------	-----	---	--------	----	----	------	------	------	----	---	---

Q=Flow rate H= Total manometric delivery head

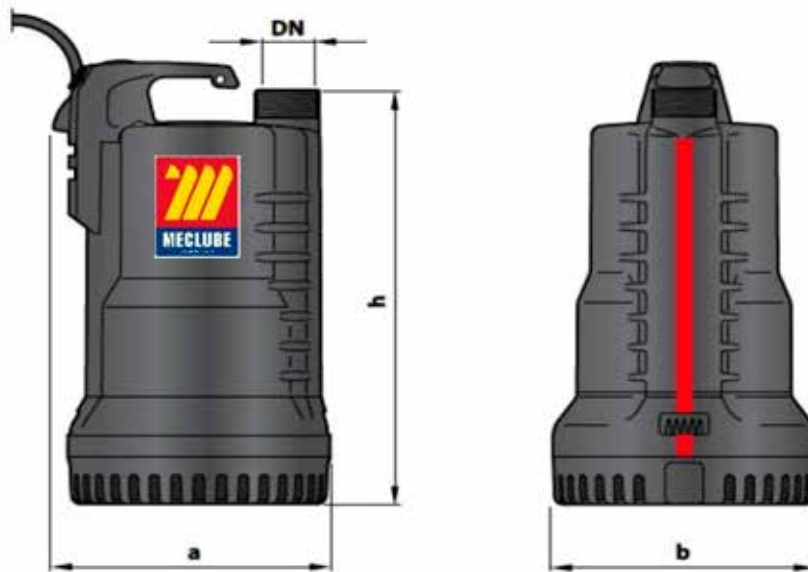
Tolerance of performance curves according to EN ISO 9906 Degree 38

# SUBMERSIBLE AdBlue® ELECTRO-PUMP “Mec-Ariel”

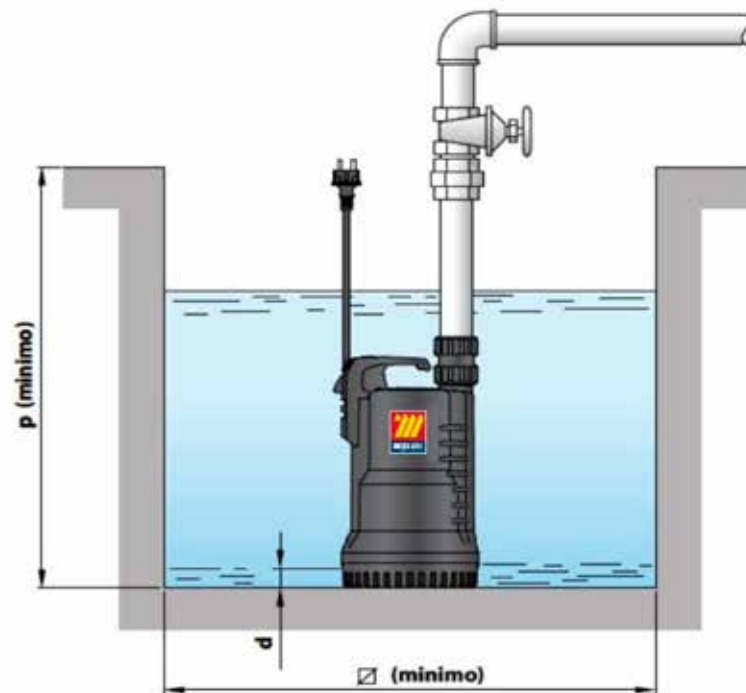


## Technical Data

Ref.	Description	Voltage	Flow rate	Liquid. Max. Temper	Power	Cable lenght	Working cycle	Packaging
		V / Hz	l/min	°C	A	m	min	mm
<b>098-7000-230</b>	Mec-Ariel	<b>230/50</b>	<b>70</b>	+40	2	5	S1 (continuos)	235X195X370



## Typical installation



Ref.	Entrance	Stages N°	Dimensions (mm)					Weight
			a	b	h	d	Ø	
<b>098-7000-230</b>	1 1/4"	<b>2</b>	180	170	295	25	220	6,15

Air-operated double diaphragm pumps have long been recognized as the most flexible pumps for handling difficult liquids at relatively low pressures and flows. The range of applications is virtually limitless. MECLUBE AODD pumps come in many sizes and choices of construction materials. Suitable for water, antifreeze, windscreen and AdBlue® transfer.



**EX II 3/3 GD h IIB T4 135°C ATEX zone2**

**Art. 028-P035-AB2 Air-operated double diaphragm pump  
Meclube model P35**

Made in polypropylene

Compression ratio: 1:1  
Max flow rate: 35 l/min  
Fluid connection: 1/2" BSP  
Air connection: 6 mm  
Max air pressure: 8 bar  
Max delivery height: 70 m  
Max suction lift dry: 5,0 m  
Max suction lift wet: 9,8 m



**EX II 3/3 GD h IIB T4 135°C ATEX zone2**

**Art. 028-P055-AB2 Air-operated double diaphragm pump  
Meclube model P55**

Made in polypropylene

Compression ratio: 1:1  
Max flow rate: 55 l/min  
Fluid connection: 1/2" BSP  
Air connection: 1/4" BSP  
Max air pressure: 8 bar  
Max delivery height: 80 m  
Max suction lift dry: 5,0 m  
Max suction lift wet: 9,8 m

Ref.	Casing	Diaphragm	Balls	Gasket	Fluids
------	--------	-----------	-------	--------	--------

<b>028-P035-AB2</b>	Polypropylene	Hytrel+Ptfe	Ptfe	Viton	Water-Anti-freeze-Windscreen- AdBlue®
<b>028-P055-AB2</b>	Polypropylene	Hytrel+Ptfe	Ptfe	Viton	Water-Anti-freeze-Windscreen- AdBlue®

Ref.	Flow rate	Max viscosity	Max.Temp.	Inlet-outlet	Weight	Packaging
	l/min	CPS	°C	BSPG	Kg	mm

<b>028-P035-AB2</b>	<b>35</b>	15000	65	1/2"	2	250X180X260
<b>028-P055-AB2</b>	<b>55</b>	20000	65	1/2"	4	310X195X290

# AIR-OPERATED DOUBLE DIAPHRAGM PUMPS



Air-operated double diaphragm pumps have long been recognized as the most flexible pumps for handling difficult liquids at relatively low pressures and flows. The range of applications is virtually limitless. MECLUBE AODD pumps come in many sizes and choices of construction materials. Suitable for water, antifreeze, windscreen and AdBlue® transfer.



**EX II 3/3 GD h IIB T4 135°C ATEX zone2**

## Art. 028-P110-AB2 Air-operated double diaphragm pump Meclube model P110

Made in polypropylene

Compression ratio: 1:1  
 Max flow rate: 110 l/min  
 Fluid connection: 3/4" BSP  
 Air connection: 3/8" BSP  
 Max air pressure: 8 bar  
 Max delivery height: 80 m  
 Max suction lift dry: 5,0 m  
 Max suction lift wet: 9,8 m



**EX II 3/3 GD h IIB T4 135°C ATEX zone2**

## Art. 028-P170-AB2 Air-operated double diaphragm pump Meclube model P170

Made in polypropylene

Compression ratio: 1:1  
 Max flow rate: 170 l/min  
 Fluid connection: 1" BSP  
 Air connection: 1/2" BSP  
 Max air pressure: 8 bar  
 Max delivery height: 80 m  
 Max suction lift dry: 5,0 m  
 Max suction lift wet: 9,8 m

Ref.	Casing	Diaphragm	Blass	Gasket	Fluids
------	--------	-----------	-------	--------	--------

<b>028-P110-AB2</b>	Polypropylene	Hytrel+Ptfе	Ptfе	Viton	Water-Anti-freeze-Windscreen- AdBlue®
<b>028-P170-AB2</b>	Polypropylene	Hytrel+Ptfе	Ptfе	Viton	Water-Anti-freeze-Windscreen- AdBlue®

Ref.	Flow rate	Max viscosity	Max.Temp.	Inlet-outlet	Weight	Packaging
	l/min	CPS	°C	BSPG	Kg	mm

<b>028-P110-AB2</b>	<b>110</b>	25000	65	3/4"	5,5	310X195X290
<b>028-P170-AB2</b>	<b>170</b>	35000	65	1"	15	430X260X450

Manual/automatic nozzles for AdBlue® composed by plastic and stainless steel body, equipped with fixed and swiveling rubber holder. For their features they can be applied on every type of transfer system, also working for gravity.



**Art. 099-5199-000 Manual plastic nozzle “AD90” for AdBlue®**

Flow rate 90 l/min  
Viton seals  
Complete with hose-tail fitting  
Swivel connection Ø 20



**Art. 099-5200-000 Manual plastic nozzle stainless steel end “MP80” for AdBlue®**

Flow rate 80 l/min  
Viton seals  
Plastic body with stainless steel end  
Rubber holder Ø 20



**Art. 099-5205-000 Automatic plastic nozzle stainless steel end “AP80” for AdBlue®**

Flow rate 80 l/min  
Viton seals  
Plastic body with stainless steel end  
Rubber holder Ø 20



**Art. 099-5210-000 Automatic nozzle stainless steel “AD80” for AdBlue®**

Flow rate 80 l/min  
Viton seals  
Stainless steel body  
Swivel connection stainless steel Ø 20



**Art. 099-5230-000 “Gravity kit” for AdBlue® transfer**

Plastic nozzle with stainless steel end, flow rate 80 l/min, fitting d.20 “MP80”  
Fitting for external connection for IBC S60x6  
PVC spiral hose d.20x25 6 m length  
Stainless steel clamps 20x32 mm

**Art. 099-5250-000 Magnetic adaptor for AdBlue® tank**

Ref.	Model	Fluid	Flow rate	Inlet-outlet	Weight	Ø End	Packaging
		type	l/min	BSPG	Kg	mm	mm
<b>099-5199-000</b>	AD90	AdBlue®	<b>90</b>	F 1" - 20	0,28	19,00	400X175X57
<b>099-5200-000</b>	MP80	AdBlue®	<b>80</b>	F 1" - 20	0,50	19,00	400X175X57
<b>099-5205-000</b>	AP80	AdBlue®	<b>80</b>	F 1" - 20	1,10	19,00	400X175X57
<b>099-5210-000</b>	AD80	AdBlue®	<b>80</b>	F 1" - 20	2,6	19,00	400X175X57
<b>099-5230-000</b>	Graviti kit	AdBlue®	<b>80</b>	F 1" - 20	4,5	19,00	410X400X320
<b>099-5250-000</b>	-	AdBlue®	-	Ø21x Ø39	0,10	-	100X100X50

# AUTOMATIC NOZZLE ZVA AdBlue® LV



Automatic dispensing nozzle for AdBlue® with Atex certificate. It is made of a stainless steel body and equipped with swiveling rubber holder with integrated flow regulator and adaptor EW22 to transfer into drums. It is suitable for the refueling of light vehicles < 3,5 t.

## Art. 099-5220-000 ZVA Automatic nozzle for AdBlue® LV / Urea according to ISO 22241 (DEF/AUS/ARLA 32) for light vehicles < 3,5 t.

- Nozzle with ATEX certificate (EX II 1G) Certificate Nr. SIRA 03ATEX9 487U
- Swivelling joint with integrated and certified flow regulator: TÜV - P-TÜ7-8113338228 ISO 2224
- AdBlue spout of Ø19 mm with integrated filter ISO 22241-5
- Nozzle with automatic shut-off, check valve, 1-speed lever latch with removable latch pin EB 280
- With block magnet for reed switch contact-less on/off switching in the nozzle boot.
- Complete with adaptor EW 22
- Maximum flow rate 10 l/min, recommended flow rate for service stations 5 l/min
- Viton seals
- Stainless steel body
- Stainless steel swivelling joint 1" BSP male



Depending on the vehicle model the filler inlet is normally located next to the Diesel filler inlet, or may be in the boot/trunk or the engine bay. Please follow your vehicle manufacturer's AdBlue® refilling instructions. Handling of the nozzle is similar to conventional ZVA nozzles. In order to dispense the nozzle must be pushed fully onto the filling point of the AdBlue® tank. Dispensing is done by pulling the lever. When the tank is full, the nozzle will shut off automatically.



Most light vehicles <3,5 t allow a trouble-free filling of the AdBlue® tanks with a flow rate of not more than 5 l/min. The nozzle should be adjusted to this value for daily operation.



Ref.	Flow rate	Pressure	Accuracy	Inlet	Weight	Packaging
	l/min	bar	%	BSPG	kg	mm
<b>099-5220-000</b>	<b>5-10</b>	3,5	+/- 0,5	M 1"	1,20	400x175x57

Turbine flow meter that features high precision performance for the measurement of AdBlue® for private use. The software enables full control of dispensing system thanks to the various functions featured. Applicable on motor pumps or for gravity. AdBlue® delivery filter complete with 20 µ cartridge and key. The filter headboard comes with a button for air discharge.



**Art. 099-5124-000 Digital turbine flow meter for AdBlue® MEC 24**

**Min-max flow rate 5-120 l/min**

6 digits totalizer (non-resettable)

6 digits partial (resettable)

Allowed fluids: AdBlue®, anti-freeze, windscreen



**Art. 099-5170-040 Electronic pulsed flow meter for AdBlue® MGI-40**

PVC body

Min-max flow rate 4-40 l/min

Inlet-outlet connection F1"



**Art. 099-5240-020 AdBlue® transparent delivery filter**

Flow rate 60 l/min

Inlet-outlet connection F1"

Filtering capacity **20 µ**

Complete with key



**Art. 099-5241-020 Cartridge for AdBlue® polypropylene filter**

For filter 60 l/min

Filtering capacity **20 µ**

Ref.	Flow rate	Pressure	Accuracy	Inlet-outlet	Weight	Packaging
	l/min	bar	%	BSPG	Kg	mm

<b>099-5124-000</b>	<b>5-120</b>	10	+/- 1	F 1" - F 1"	0,35	100X100X60
<b>099-5170-040</b>	<b>4-40</b>	10	+/- 0,8	F 1" - F 1"	1,00	159X100X141

Ref.	filter capacity	Fluid	Flow rate	Inlet-outlet	Weight	Packaging
	µ	Type	l/min	BSPG	Kg	mm

<b>099-5240-020</b>	<b>20</b>	AdBlue®	60	F 1" - F 1"	1,00	150X245X165
---------------------	-----------	---------	----	-------------	------	-------------

<b>099-5241-020</b>	<b>20</b>	AdBlue®	-	-	0,06	Ø60Xh.126mm
---------------------	-----------	---------	---	---	------	-------------



Electronic control unit that offers high precision performance for the AdBlue® measurement and delivery for private use.



**Art. 092-5200-230 Electronic control unit MecGest 110/230V 50Hz**  
**Software included**  
preselection and multi-users consumption management



**Art. 092-5220-000 Coded communication kit USB key reader for PC**



**Art. 092-5300-000 Red Key- Manager - nr. 1 pc.**



**Art. 092-5300-001 Blue key - User - nr. 1 pc.**



**Art. 092-5300-010 Kit blue keys - Users - 10 pcs**



**Art. 092-5350-001 Coded Kit Lan Connection USB - RS485**



**Art. 092-5402-100 Shielded cable signal 2 poles 100 m length**



**Art. 099-6600-000 Adaptor for suction hose SEC connection**



**Art. 099-6010-000 External suction hose connections for IBC S60X6**



**Art. 099-6020-006 Plastic foot valve with filter F 1"**  
Flow rate 80 l/min



**Art. R1-9100-2006 Plastic fitting linear M 1" BSP - Ø 20**



**Art. R1-9100-2506 Plastic fitting linear M 1" BSP - Ø 25**



**Art. R1-9102-2006 Plastic fitting male 90° M 3/4" BSP - Ø 20**



**Art. R1-9105-2006 Plastic fitting female F 1" BSP - Ø 20**



**Art. R1-9106-2006 Plastic fitting 90° female F 1" BSP - Ø 20**



**Art. R1-9107-0606 Plastic fitting 90° F-F 1" BSP**



**Art. R1-9125-2006 Plastic fitting 90° male-female M/F 1" BSP**  
with rubber holder Ø 20



**Art. R1-9120-0606 Plastic fitting 90° male-female M/F 1" BSP**



**Art. 099-6500-000 Suction hose M 56x4 SEC connection**  
For IBC tanks and Mauser, Greif barrels  
1050 mm Length max



**Art. 099-6500-010 Suction hose 2" BSP SEC connection**  
For IBC tanks and Mauser, Greif barrels  
1050 mm Length max



**Art. 099-6504-000 Drum adaptor AF2 56x4 1" BSP**  
for Greif barrels



**Art. 099-6504-010 Drum adaptor AF2 70x6 1" BSP**  
for Mauser barrels



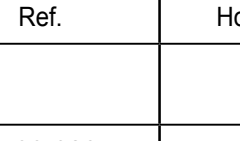
**Art. 099-6505-000 Drum adaptor F 2" BSP - M 70x6**  
for Mauser barrels



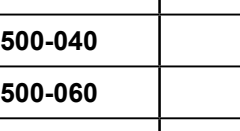
**Art. 099-6506-000 Drum adaptor F 2" BSP - M 56x4**  
for Greif barrels



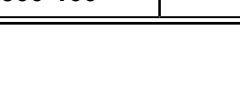
**Art. 099-6510-011 Suction kit PVC spiral hose 1,10 m length with SEC connection**  
PVC spiral hose Ø 20x25  
Inlet-outlet M 1" BSP  
SEC valve connection



**Art. 099-6512-015 Suction kit PVC spiral hose 1,50 m length**  
PVC spiral hose Ø 20x25  
Inlet-outlet M 1" BSP  
Plastic foot valve+filter  
Stainless steel clamps



**Art. B27-1120-032 Stainless steel hose clamp 20x32 mm**



**Art. 909-0500-000 Antistatic rubber hose EPDM 20 bar 19x29**

Ref.	Hose lenght	Ø Hose	Dimensions	Weight	Packaging
	m	G	mm	Kg	mm
<b>909-0500-020</b>	2	3/4"	19x29	1,5	400X400X100
<b>909-0500-040</b>	4	3/4"	19x29	2,5	400X400X100
<b>909-0500-060</b>	6	3/4"	19x29	3,4	400X400X100
<b>909-0500-100</b>	10	3/4"	19x29	5,3	400X400X150

They are suitable for the AdBlue® transfer. They can be easily installed and removed from drums.



### Art. 099-5620-000 Polypropylene rotary pump for AdBlue®

delivery capacity: 20 l/min (5 l revolution)  
For 50/220 l barrels  
Plastic drum adaptor 2"  
Viton seals  
Stainless steel hardware  
Spout (external diameter 1")  
Suitable for anti-freeze, windscreen and AdBlue® transfer



### Art. 027-1325-P00 Manual lever pump for AdBlue®

Delivery capacity: 0,25 l stroke  
Telescopic shank for 50/220 l barrels  
Plastic drum adaptor 2"  
Made in polypropylene, viton seals  
Suitable for anti-freeze, windscreen and AdBlue® transfer



### Art. 099-3717-000 Hand lever pump for AdBlue®

Delivery capacity: 0,25 l stroke  
Telescopic shank for 50/220 l barrels  
Plastic drum adaptor 2" BSP -M 70x6  
Plastic drum adaptor 2" BSP -M 56x4  
Made in polypropylene, viton seals  
Suitable for anti-freeze, windscreen and AdBlue® transfer



### Art. 099-3718-000 Hand lever pump for AdBlue®

Delivery capacity: 0,25 l stroke  
Telescopic shank for 50/220 l barrels  
Plastic drum adaptor 2" BSP -M 70x6  
Plastic drum adaptor 2" BSP -M 56x4  
Made in polypropylene, viton seals  
Equipped with hose retin Ø20 with plastic end Ø 20 3 m l  
Suitable for anti-freeze, windscreen and AdBlue® transfer

Ref.	Fluid	Spout	Delivery capacity	Weight	Packaging
	type	BSP / mm	l/min	Kg	mm
<b>099-5620-000</b>	AdBlue®	1"	<b>20 (5 l Ciclo)</b>	1,93	160X340X140
<b>099-3717-000</b>	AdBlue®	3/4"	<b>0,25 pompata</b>	1,45	510X240X110
<b>099-3718-000</b>	AdBlue®	20	<b>0,25 pompata</b>	2,70	510X240X110
<b>027-1325-P00</b>	AdBlue®	20	<b>0,30 pompata</b>	1,00	90X150X367

## AUTOMATIC HOSE REELS



Our automatic hose reels with spring, fixed or swivelling, of varnished steel, stainless steel AISI 304 or motorized hydraulic, pneumatic and electric are suitable for flexible hoses for the delivery of compressed air, water, oil or similar, grease, diesel, antifreeze, windscreen and AdBlue®.

They allow to unroll only the necessary hose length, improving their functionality.

The rewinding of the hose is fast and safe and allows to have a tidy workplace.

You always have a ready-to-use equipment that grant to all the staff to work safely.



Please consult the lubrication equipment catalogue

You can download it from the website “[www.meclube.com](http://www.meclube.com)”

The automatic hose reels with springs in varnished steel are suitable to hold flexible hoses for the AdBlue® delivery. They allow to untwist quickly only the necessary length, improving the working and functionality.

Composed by:

Antistatic black rubber hose EPDM 20 bar

Stainless steel connections AISI 316

Stainless steel swiveling joint 90° AISI 316

Viton seals

**F-400**



Ref.	Hose lenght	Ø hose	Inlet-outlet
	m	G	

<b>070-1209-400</b>	<b>without hose</b>	-	M 1/2"G - M 1/2"G
<b>070-1209-410</b>	<b>10</b>	1/2"	M 1/2"G - M 1/2"G

**F-460**



Ref.	Hose lenght	Ø hose	Inlet-outlet
	m	G	

<b>070-1309-400</b>	<b>without hose</b>	-	M 1/2"G - M 1/2"G
<b>070-1309-415</b>	<b>15</b>	1/2"	M 1/2"G - M 1/2"G

**F-550**



Ref.	Hose lenght	Ø hose	Inlet-outlet
	m	G	

<b>070-1409-500</b>	<b>without hose</b>	-	F 3/4"G - M 3/4"G
<b>070-1409-510</b>	<b>10</b>	3/4"	F 3/4"G - M 3/4"G
<b>070-1409-515</b>	<b>15</b>	3/4"	F 3/4"G - M 3/4"G

# SWIVELLING VARNISHED HOSE REELS FOR AdBlue® 20 bar



The automatic hose reels with springs in varnished steel are suitable to hold flexible hoses for the AdBlue® delivery. They allow to untwist quickly only the necessary length, improving the working and functionality.

## S-400



Ref.	Hose lenght	Ø hose	Inlet-outlet
	m	G	

<b>071-1209-400</b>	<b>without hose</b>	-	M 1/2"G - M 1/2"G
<b>071-1209-410</b>	<b>10</b>	1/2"	M 1/2"G - M 1/2"G

## S-460



Ref.	Hose lenght	Ø hose	Inlet-outlet
	m	G	

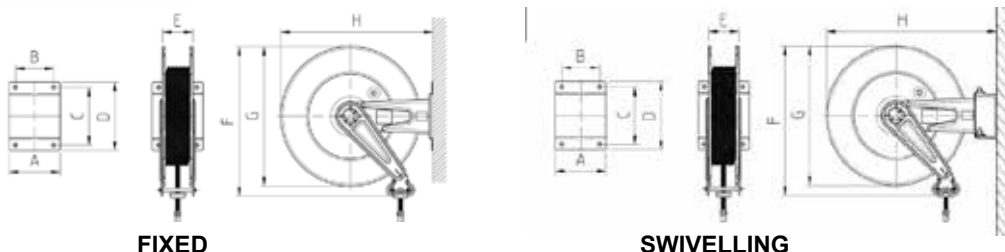
<b>071-1309-400</b>	<b>without hose</b>	-	M 1/2"G - M 1/2"G
<b>071-1309-415</b>	<b>15</b>	1/2"	M 1/2"G - M 1/2"G

## S-550



Ref.	Hose lenght	Ø hose	Inlet-outlet
	m	G	

<b>071-1409-500</b>	<b>without hose</b>	-	F 3/4"G - M 3/4"G
<b>071-1409-510</b>	<b>10</b>	3/4"	F 3/4"G - M 3/4"G
<b>071-1409-515</b>	<b>15</b>	3/4"	F 3/4"G - M 3/4"G



## OVERALL DIMENSIONS

Mod.	A	B	C	D	E	F	G	H	Kg	Packaging (mm)
F-400	158	120	168	192	95	450	400	435	12,50<19,50	600X260X540
F-460	158	120	168	192	95	480	460	500	16,50<23,00	600X260X590
F-550	200	150	225	270	120	590	550	600	22,00<45,00	640X300X685
S-400	150	120	168	196	95	450	400	510	13,50<20,50	640X350X685
S-460	150	120	168	196	95	480	460	575	17,50<24,00	640X300X685
S-550	200	150	225	270	120	590	550	680	23,00<45,00	640X350X685

The automatic hose reels stainless steel AISI 304 with spring are suitable to hold flexible hose for flexible AdBlue® delivery. They allow to untwist quickly only the necessary length, improving the working and the functionality.

Composed by:

Antistatic black rubber hose EPDM 20 bar

Stainless steel connections AISI 316

Stainless steel swiveling joint 90° AISI 316

Viton seals

**FX-400**



Ref.	Hose length	Ø hose	Inlet-outlet
	m	G	

<b>070-2209-400</b>	<b>without hose</b>	-	M 1/2"G - M 1/2"G
<b>070-2209-410</b>	<b>10</b>	1/2"	M 1/2"G - M 1/2"G

**FX-460**



Ref.	Hose length	Ø hose	Inlet-outlet
	m	G	

<b>070-2309-400</b>	<b>without hose</b>	-	M 1/2"G - M 1/2"G
<b>070-2309-415</b>	<b>15</b>	1/2"	M 1/2"G - M 1/2"G

**FX-550**



Ref.	Hose length	Ø hose	Inlet-outlet
	m	G	

<b>070-2409-500</b>	<b>without hose</b>	-	F 3/4"G - M 3/4"G
<b>070-2409-510</b>	<b>10</b>	3/4"	F 3/4"G - M 3/4"G
<b>070-2409-515</b>	<b>15</b>	3/4"	F 3/4"G - M 3/4"G



The automatic hose reels with springs in varnished steel are suitable to hold flexible hoses for the AdBlue® delivery. They allow to untwist quickly only the necessary length, improving the working and functionality.

## SX-400



Ref.	Hose lenght	Ø hose	Inlet-outlet
	m	G	

<b>071-2209-400</b>	<b>without hose</b>	-	M 1/2"G - M 1/2"G
<b>071-2209-410</b>	<b>10</b>	1/2"	M 1/2"G - M 1/2"G

## SX-460



Ref.	Hose lenght	Ø hose	Inlet-outlet
	m	G	

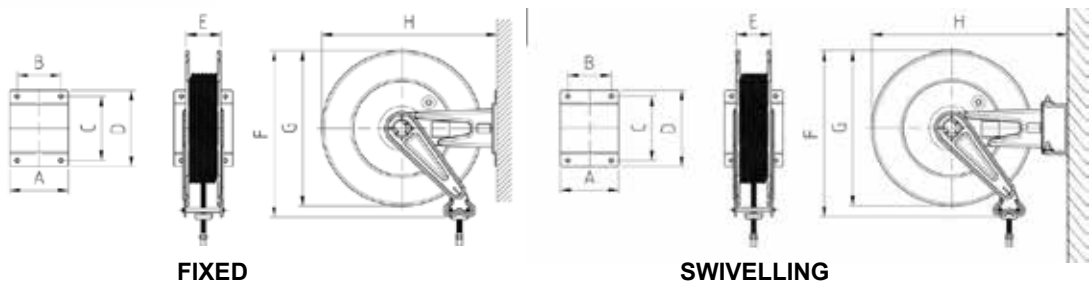
<b>071-2309-400</b>	<b>without hose</b>	-	M 1/2"G - M 1/2"G
<b>071-2309-415</b>	<b>15</b>	1/2"	M 1/2"G - M 1/2"G

## SX-550



Ref.	Hose lenght	Ø hose	Inlet-outlet
	m	G	

<b>071-2409-500</b>	<b>without hose</b>	-	F 3/4"G - M 3/4"G
<b>071-2409-510</b>	<b>10</b>	3/4"	F 3/4"G - M 3/4"G
<b>071-2409-515</b>	<b>15</b>	3/4"	F 3/4"G - M 3/4"G



## OVERALL DIMENSIONS

Mod.	A	B	C	D	E	F	G	H	Kg	Packaging (mm)
FX-400	158	120	168	192	95	450	400	435	12,50<19,50	600X260X540
FX-460	158	120	168	192	95	480	460	500	16,50<23,00	600X260X500
FX-550	200	150	225	270	120	590	550	600	22,00<45,00	640X300X685
SX-400	150	120	168	196	95	450	400	510	13,50<20,50	640X350X685
SX-460	150	120	168	196	95	480	460	575	17,50<24,00	640X350X685
SX-550	200	150	225	270	120	590	550	680	23,00<45,00	640X350X685

Digital turbine flow meter offers high precision performance for the measurement of private use liquid food-stuff (milk, oil, water...). The software enables full control of dispensing system thanks to the various functions featured. Applicable on motor pumps or for gravity.



**Art. 100-5120-000 Digital turbine flow meter IN-LINE food**  
min-max flow rate 10-150 l/min

6 digits totalizer (non resettable)  
6 digits partial (resettable)  
Allowed fluids: (milk, oil, water...)



**Art. 100-5199-020 Manual plastic nozzle "F120" for food**

Flow rate 120 l  
PTFE seals  
Plastic body  
Swivel connection Ø 20



**Art. 100-5199-025 Manual plastic nozzle "F120" for food**

Flow rate 120 l  
PTFE seals  
Plastic body  
Swivel connection Ø 25

Ref.	Flow rate	Pressure	Accuracy	Inlet-outlet	Weight	Packaging
	l/min	bar	%	BSPG	Kg	mm

<b>100-5120-000</b>	<b>10-150</b>	10	+/- 0,5	F 1" - F 1"	0,35	145X135X85
<b>100-5199-020</b>	<b>120</b>	10	-	F 1" - 20	0,28	400X175X57
<b>100-5199-025</b>	<b>120</b>	10	-	F 1" - 25	0,28	400X175X57

Suitable to transfer chemical products. It is prearranged for the direct application on the drum.



**Art. 100-3725-000 Stainless steel manual pump for AISI 316 for chemical products transfer**

Delivery capacity: 0,125 l/stroke  
 With adaptor for drum connection  
 Shank 550 < 940 lenght for drums to 20 < 220 l  
 PTFE seals



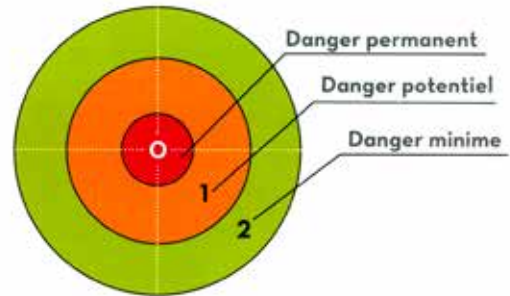
**Art. 030-1390-000 Trolley for plastic drums 20 < 30 l**

EQUIPPED WITH:  
 nr. 2 wheels Ø 100 mm  
 Base dimension 215x275 mm

Ref.	Delivery capacity	for drums	Inlet-outlet	Weight	Packaging
	l/stroke	l	BSPG	Kg	mm

<b>100-3725-000</b>	<b>0,125</b>	20<220	F 1/2"	2,1	740X205X95
<b>030-1390-000</b>	-	20<30	-	3,7	550X270X120





## IT. La sicurezza negli ambienti esplosivi

La direttiva ATEX è divenuta un requisito obbligatorio in tutta la CEE dopo il 1° Luglio 2003 per tutte le attrezzature, elettriche e meccaniche, destinate ad essere utilizzate in una zona pericolosa. Atmosfere potenzialmente esplosive esistono dove c'è il rischio di scoppio dovuto a miscele di gas/aria, vapore/aria, polvere/aria o altre combinazioni infiammabili, tipiche dei vapori di benzina. Qualora il materiale elettrico o meccanico dovesse essere utilizzato in aree con atmosfera esplosiva deve essere progettato e costruito in modo da non creare/eliminare le fonti d'innesco quali scintille, superfici calde o elettricità statica, tutte fonti di combustione in grado di accendere queste miscele. Le zone di rischio per ambienti con presenza di gas e vapori infiammabili possono andare dalla ZONA 0 (il rischio di esplosione è continuo), alla ZONA 1 (il rischio di scoppio è probabile), alla ZONA 2 (rischio improbabile e se si presenta una possibilità di deflagrazione, persiste solo per breve periodo).

## EN. Safety in explosive environments

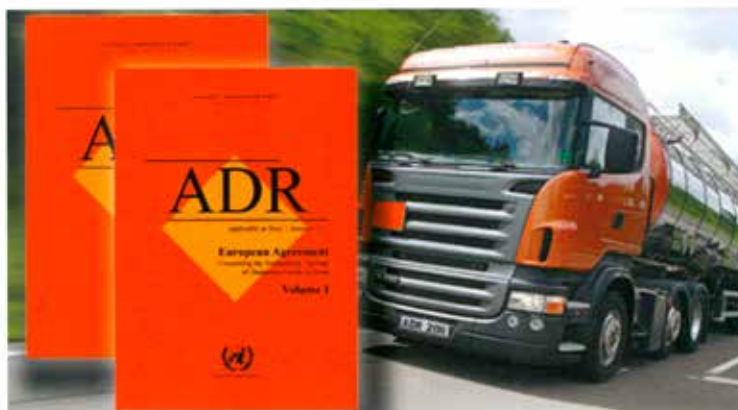
As of 1st July 2003, the ATEX directive came into force throughout the EEC. This directive became an obligatory requirement for all electrical and mechanical equipment intended for use in dangerous areas. Potentially explosive atmospheres exist where there is a risk of explosion due to mixtures of gas and air, steam and air, dust and air or other flammable combinations typical of petrol vapours. If the electrical or mechanical material must be used in areas where there is an explosive atmosphere, it must be designed and built so as not to create/ to eliminate sources of ignition such as sparks, hot surfaces or static electricity and all sources of combustion able to ignite these mixtures. Risk areas for environments where gas and flammable vapours are present can range from AREA 0 (constant risk of explosion) to AREA 1 (risk of explosion probable) and AREA 2 (low risk and any risk of explosion persists for a short time only).

Group	Category	Type of explosive atmosphere	perma-nent prefix	protection method		gas class	temperature class		equipment protection level
II	2	G	Ex	db	h	IIB	T4	T6	Gb
				Benz 50	Benz Flow		Benz 50	Benz Flow	

II = Il gruppo II comprende gli apparecchi destinati a essere utilizzati in altri ambienti (diversi da miniere) in cui vi sono probabilità che si manifestino atmosfere esplosive  
 2 = Elevata protezione, Categoria 2 per ZONE 1 GAS e ZONE 2 GAS  
 G = Gas  
 Ex = Equipaggiamento a prova di esplosione certificate secondo le direttive Europee ATEX  
 d = custodie a prova di esplosione (EN 60079-1)  
 IIB = Apparecchiature elettriche per atmosfere potenzialmente esplosive diversi delle miniere. (etilene etc.)  
 T4 = La temperatura della superficie della pompa non supererà i 135°C.

II = Group II comprises appliances intended for use in other environments (other than mining) in which explosive atmospheres are probable.  
 2 = High protection, Category 2 for AREA 1 GAS and AREA 2 GAS  
 G = Gas  
 Ex = Explosion-proof equipment certified according to the European ATEX directives  
 d = explosion-proof cases (EN 60079-1)  
 IIB = Electrical appliances for potentially explosive environments other than mining. (ethylene etc.)  
 T4 = The temperature of the pump will not exceed 135°C.

## European agreement concerning the international carriage of dangerous goods by road



The carriage of dangerous goods by road is regulated by an international Agreement (ADR) which is regularly amended and updated every two years. The original agreement was called "The European Agreement concerning the International Carriage of Dangerous Goods by Road (AOR)" and was signed at Geneva on 30 September 1957. Currently the number of countries which adhere to ADR is 48. The Agreement itself is short and simple. It consists of 17 articles which contain legislative principles and the procedures for Agreement subscription, application and revision, and of two Annexes that list all the instruction and provisions; Annex A contains the conditions for the goods in question, in particular as regards their packaging and labelling, and in Annex 8 are laid down the provision regarding the construction, equipment and operation of the vehicles carrying the dangerous goods.

In summary ADR regulations concern:

- Classification of dangerous goods with reference to transport by road.
- Dangerous Goods List; special provisions related to dan-

### EXEMPTIONS:

Annex A, in addition to provisions concerning dangerous substances and articles, specifies the exemptions relative to the transport on road of dangerous goods; in accordance with these exemptions it is possible to carry ADR goods in compliance with the quantities listed in par. 1.1.3.6 without any UN-approved package, driver with training certificate or safety labeled and equipped vehicle. In the matter in question these exemptions refer to:

- exemptions related to the nature of the transport operation;
- exemptions related to quantities carried per transport unit.

### EXEMPTIONS RELATED TO THE NATURE OF THE TRANSPORT OPERATION (TOTAL EXEMPTION PAR.1.1.3.1 ADR).

(a) The carriage of dangerous goods by private individuals where the goods in question are packaged for retail sale and are intended for their personal or domestic use or for their leisure or sporting activities provided that measures have been taken to prevent any leakage of contents in normal conditions of carriage. When the goods are flammable liquids carried in effilable receptacles filled by, or for, a private individual, the total quantity shall not exceed 60 liters per receptacle and 240 liters per transport unit. Dangerous goods in IBCs, large packagings or tanks are not considered to be packaged for retail sale.

(c) The carriage undertaken by enterprises which is ancillary to their main activity, such as deliveries to

dangerous goods packed in limited quantities.

- Packaging and containers provisions.
- Construction and testing of packagings.
- Construction and approval of vehicles.
- Conditions of carriage, loading, unloading and handling.
- Vehicle crews, equipment, operation and documentation.
- Total and partial exemptions.

Dangerous goods are defined on the basis of their properties and are divided into Classes. The Classes of dangerous goods, according to ADR, are the following:

- Class 1 - Explosive substances and articles.
- Class 2 - Gases.
- Class 3 - Flammable liquids.
- Class 4.1- Flammable solids, self-reactive substances and solid desensitized explosives.
- Class 4.2 - Substances liable to spontaneous combustion.
- Class 4.3 - Substances which, in contact with water, emit flammable gases.
- Class 5.1 - Oxidizing substances

or returns from building or civil engineering sites, or in relation to surveying, repairs and maintenance, in quantities of not more than 450 liters per packaging and within the maximum quantities specified in par. 1.1.3.6. Measures shall be taken to prevent any leakage of contents in normal conditions of carriage. These exemptions do not apply to Class 7. Carriage undertaken by such enterprises for their supply or external or internal distribution does not fall within the scope of this exemption.

### EXEMPTIONS RELATED TO QUANTITIES CARRIED PER TRANSPORT UNIT (PARTIAL EXEMPTION PAR. 1.1.3.6 ADR).

In accordance with this article, transport of dangerous goods can be partially exempt from ADR prescriptions if the quantity carried does not exceed the value indicated in a specific table (1.1.3.6.3). Transports under par. 1.1.3.6 have the following exemptions to the regulations;

- vehicle need not have orange Plates displayed;
- no requirement to have instructions in writing;
- driver does not need ADR Vocational licence, but will need awareness training.

in particular, for petroleum products:

- for goods belonging to Packaging Group II (i.e. gasoline) the maximum quantity carried per transport unit is 333 l;
- for goods belonging to Packaging Group III (i.e. Diesel Fuel, kerosene) the maximum quantity carried per transport unit is 1.000 L

- Class 5.2 - Organic peroxides.
- Class 6.1 - Toxic substances.
- Class 6.2 - Infectious substances.
- Class 7 - Radioactive material.
- Class 8 - Corrosive substances.
- Class 9 - Miscellaneous dangerous substances and articles.

From a quantitative point of view, the dangerous goods more prevalent on the roads are the petroleum products (Class 3 - Flammable liquids), in particular the products with number: UN 1202 (Diesel fuel), UN 1203 (gasoline) and UN1223 (kerosene).

### IN SUMMARY:

- Partial Exemption: in accordance with par. 1.1.3.6, the maximum quantities which can be carried per transport unit are:

	Max Quantity (L)	Container Type
Diesel fuel	1000	UN Approved - ADR Homologated for Dangerous Goods of Class 3 and Packaging Group III.
Gasoline	333	UN Approved - ADR Homologated for Dangerous Goods of Class 3 and Packaging Group II.

- Total Exemption- in accordance with par. 1.1.3.1, the maximum quantities which can be carried are:

### par. 1.1.3.1 a), for private individuals:

	Max Quantity (L)	Container Type
Diesel Fuel and Gasoline	240 l, with a max of 60 l per unit.	Adequate for the purpose.

### par. 1.1.3.1 c), for enterprises:

	Max Quantity (L)	Tipi di contenitore
Diesel fuel	450	Adequate for the purpose.
Gasoline	333	Adequate for the purpose.

## GENERAL SALES CONDITIONS



When ordering please use the part numbers indicated in the catalogue.

Claims will not be accepted if we receive them 8 (eight) days after the reception of the order.

After this period the goods will be considered tacitly accepted.

The goods travel at customer's risk, even if Meclube organizes DAP shipment.

Except previously agreed, all prices are to be intended EX WORKS Bondeno di Gonzaga (MN), Incoterms 2020.

In case of late payments for any reason, including missed reception of statements of account, the buyer has to pay to the seller the annual interest in force at the moment of the sale, in the amount indicated on the invoice.

Any change of faulty products can be made to MECLUBE according to DAP Incoterms, and after having received our authorization.

The company MECLUBE takes no responsibilities for missing goods or damaged parcels caused by the shipment.

For any controversy only the Court of Mantua will entertain jurisdiction.

Specifications, dimensions, features and colours reported in this catalogue are not binding, and due to continuous performance enhancements of equipment and accessories, can be modified without any notice.

EDITION 19/02/2022

Foto F.Ili ZAMBRONI

MADE IN ITALY



**MECLUBE srl**

Strada Pavese, 13 - Loc. Bondeno  
46023- Gonzaga (MN) - ITALIA  
Tel. +39 0376 595006 - +39 0376 595035  
Fax +39 0376 54144  
info@meclube.com

**[www.meclube.com](http://www.meclube.com)**